



Type(s)
Project
Date
Notes

GENERAL INFORMATION

The control you need – right at your fingertips. These EchoConnect-powered stations are designed to initiate preset, zone, and space controls for your entire system. They communicate efficiently with dimmers, relays and power control panels to provide necessary control for any installation. You can choose your level of control with a variety of button and fader stations created with your solutions in mind.

APPLICATIONS

- Education
- Hospitality
- Healthcare facilities
- Office buildings
- Conference rooms
- Meeting rooms
- Retail

FEATURES

- EchoConnect: two-wire topology-free system gives you the freedom to easily place stations wherever they are needed
- Fastener-Free Faceplate System: no visible means of attachment
- Decorator style face plates available in one-, two-, three- and four-gang options
- Color condition: rear-illuminated buttons that indicate system status using blue for active and amber or off for inactive
- Simple user-legend system supports use of a variety of standard nomenclature, or user-supplied inserts
- Multi Space Preset functionality

REGULATORY AND COMPLIANCE

- cULus Listed
- CE Certified

ORDERING INFORMATION

Product

MODEL	DESCRIPTION
E1001-__	Inspire 1-Button Control Station
E1002-__	Inspire 2-Button Control Station
E1004-__	Inspire 4-Button Control Station
E1006-__	Inspire 6-Button Control Station
E1008-__	Inspire 8-Button Control Station
E1104-__	Inspire 4-Button with Fader Control Station

Enter station color code in __ space provided:

1 = Cream (RAL 9001), 3 = Gray (RAL 7001), 4 = Black (RAL 9004), 5 = Signal White (RAL 9003)

Stations flush-mount (F) in industry-standard gang boxes. (By others)

Additional Faceplates

MODEL	DESCRIPTION
1IFP-__	Inspire 1-gang faceplate
2IFP-__	Inspire 2-gang faceplate
3IFP-__	Inspire 3-gang faceplate
4IFP-__	Inspire 4-gang faceplate

Enter station color code in __ space provided:

1 = Cream (RAL 9001), 3 = Gray (RAL 7001), 4 = Black (RAL 9004), 5 = Signal White (RAL 9003)

Stations ship with 1-gang faceplate. Additional faceplates can be ordered separately.

Echo Power Requirements

EchoConnect:	One unit of control power
Auxiliary Power:	Not required



SPECIFICATIONS**FUNCTIONAL**

- Button and fader functions include: preset activation/ deactivation, record, raise, lower, zone on/off control and room combine
- Blue button illumination for active status
- Amber or no button illumination for inactive status
- Fader halo-illumination displays actual output level
- Zone or preset control from any station with real-time user toggle

MECHANICAL

- Standard configurations with 1, 2, 4, 6 and 8 buttons or 4 buttons and rotary fader
- Gangable for custom applications
- Enclosed electronics assembly and faceplate included
- Cantilevered switch arrays with removable button caps
- No visible means of attachment
- Flush-mount in industry standard backbox, RACO 690 or equivalent
- Surface-mount backboxes available from ETC upon request
- Constructed of injection-molded, ABS plastic in three RAL standard colors Cream (RAL 9001), Black (RAL 9004), and White (RAL 9003)
- User configurable legends on each button, or use standard legends that come with each station. Field configurable without the use of tools
- Integral LED response indicator for each button with indication of active(blue) and inactive(amber or off) state

ELECTRICAL

- Connect via the EchoConnect control network via low-voltage Class 2 wiring
- Topology-free wiring over Belden 8471 or equivalent and one #14 ESD drain wire
- Supports optional use of Belden 1583A or equivalent Ethernet control wire when used with Cat5 termination accessories
- Wiring may be bus, loop, homerun or any combination of these
- Supports up to 500 m (1,640 ft) of control wiring
 - Up to 1000 ft using CAT5
- All station terminations utilize removable connectors

THERMAL

- Ambient room temperature: 0°–50° C (32°–122° F)
- Ambient humidity: 5–95% non-condensing

FUNCTIONALITY

BASIC MODE FUNCTIONALITY

- Preset Mode:
 - Button 1-8 Push: Toggle Preset 1-8 (Default) or Off
 - Button 1-8 Hold: Space Raise
 - Button 1-8 Double Tap: Quick Toggle Preset 1-8 (Default)
- Zone Mode
 - One Button: Zone 1 Toggle
 - Two Button: Zone 1 Raise, Zone 1 Lower
 - Four Button: Select Zone 1 / 2, Selection Raise/Lower
 - Six Button: Select Zone 1 / 2 / 3 / 4, Selection Raise/Lower
 - Eight Button: Select Zone 1 / 2 / 3 / 4 / 5 / 6, Selection Raise/Lower
 - Four Button-Fader: Select Zone 1 / 2 / 3 / 4, Selection Raise/Lower

CUSTOM MODE FUNCTIONALITY

(Requires Programming With EchoAccess Mobile App and additional connection hardware)

- Button Push
 - Preset Toggle*, Preset Activate*
 - Zone Toggle, Zone Lower, Zone Raise, Zone Set to Level, Zone Set to Color, Zone Set to Color Temp
 - Space Off*, Space Toggle, Space Lower, Space Raise, Space Set to Level
 - Space Combine Toggle, Space Combine, Space Uncombine
 - Space Set to Color, Space Set to Color Temp
 - Sequence Toggle
 - Timeclock Hold Toggle, Timeclock Hold Enable, Timeclock Hold Disable
- Button Hold
 - Zone Lower
 - Zone Raise
 - Space Lower
 - Space Raise
- Button Double Tap
 - Preset Toggle*, Preset Activate*
 - Zone Toggle, Zone Set to Level, Zone Set to Color, Zone Set to Color Temp
 - Space Off, Space Toggle, Space Set to Level, Space Set to Color, Space Set to Color Temp
 - Timeclock Hold Toggle, Timeclock Hold Enable, Timeclock Hold Disable
- Fader Push
 - Preset Toggle*, Preset Activate*
 - Zone Toggle, Zone Set to Level, Zone Set to Color, Zone Set to Color Temp
 - Space Off, * Space Toggle, Space Set to Level, Space to Color
 - Selection to Level, Selection Toggle
 - HSI Color Mode, Color Temp Mode, Studio Mode
- Fader Double Tap
 - Preset Toggle*, Preset Activate*
 - Zone Toggle, Zone Set to Level, Zone Set to Color, Zone Set to Color Temp
 - Space Off*, Space Toggle, Space Set to Level, Space to Color
 - Selection to Level, Selection Toggle
- Fader Rotate
 - Zone Raise / Lower,
 - Space Raise / Lower
 - Selection Raise / Lower
 - Color Zone Hue Raise / Lower,
 - Color Zone Sat. Raise / Lower
 - Zone Color Temp Raise / Lower
 - Zone Tint Raise / Lower
 - Selection Hue Raise / Lower
 - Selection Sat. Raise / Lower
 - Selection Tint Raise / Lower
 - Selection Color Temp Raise / Lower

*Multi Space capable - allowing for presets to be recalled in multiple spaces from a single control

ECHO FAMILY OF PRODUCTS

EchoConnect Power Supplies

MODEL	DESCRIPTION
E-SPS	6 U Room Station Power Supply, Knockout Mount
E-SPS-DIN	16 U DIN rail Station Power Supply with 24 V Aux
E-SPM-A	16 U DRd Station Power Module with 24 V Aux
E-APS	24 V Aux Power Supply, Knockout Mount

EchoTouch

MODEL	DESCRIPTION
ETS	EchoTouch Controller Mk2

Echo Stations

MODEL	DESCRIPTION
E1001	Inspire One Button Station
E1002	Inspire Two Button Station
E1004	Inspire Four Button Station
E1006	Inspire Six Button Station
E1008	Inspire Eight Button Station
E1104	Inspire Four Button with Fader Station
EPS05	Echo Preset Station - 5 Button
EPS10	Echo Preset Station - 10 Button
EPSKS	Echo Keyswitch Station
E-ATC	Echo TimeClock

Echo Responsive Controls

MODEL	DESCRIPTION
ELS	Light Sensor
EOCC	Ceiling-Mount PIR Occupancy Sensor
EVAC	Ceiling-Mount PIR Vacancy Sensor
E-DOC-C	Ceiling-Mount Dual Tech Occupancy Sensor
E-DVAC-C	Ceiling-Mount Dual Tech Vacancy Sensor
E-DOC-W	Wall-Mount Dual Tech Occupancy Sensor
E-DVAC-W	Wall-Mount Dual Tech Vacancy Sensor
E-DOC-SM1	Switch-Mount Dual Tech Sensor - One Button
E-DOC-SM2	Switch-Mount Dual Tech Sensor - Two Button

Echo Interfaces

MODEL	DESCRIPTION
EACC	EchoAccess Interface
EEB	Echo Expansion Bridge
EDMXC	Echo DMX Scene Controller
EEl	Echo-Echoflex Interface
ECII	Echo Contact Input Interface
ECOI	Echo Contact Output Interface
EDRI	Echo Demand Response Interface
EBl	Echo BACnet Interface
EII	Echo Integration Interface

Zone Controllers

MODEL	DESCRIPTION
ERC-G2	One Zone Relay Controller
EDRC-G2	Two Zone Relay Controller
ELD-G2	One Zone 0–10 V Controller
EDLD-G2	Two Zone 0–10 V Controller
ESSC-G2	One Zone SmartSpace Controller
EDSSC-G2	Two Zone SmartSpace Controller
ELVD-G2	600-Watt Phase Adaptive Dimmer (120 V)
ELVD-277-G2	600-Watt Phase Adaptive Dimmer (277 V)
ELVD-G2-MLV	600-Watt Forward Phase Dimmer (120 V)
ELVD-277-G2-MLV	600-Watt Forward Phase Dimmer (277 V)

Room Controllers

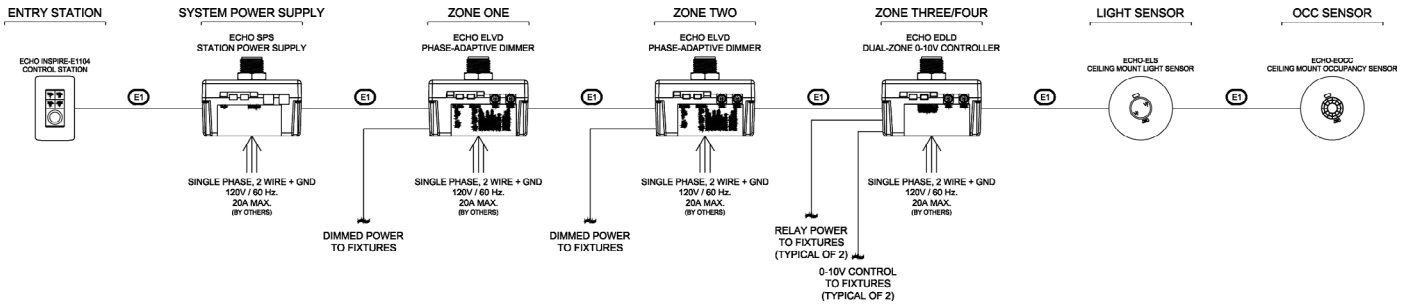
MODEL	DESCRIPTION
ERMC4-G2	Four Zone Room Controller
ERMCT4-G2	Four Zone Room Controller with TimeClock
ERMC8-G2	Eight Zone Room Controller
ERMCT8-G2	Eight Zone Room Controller with TimeClock

Panel Products

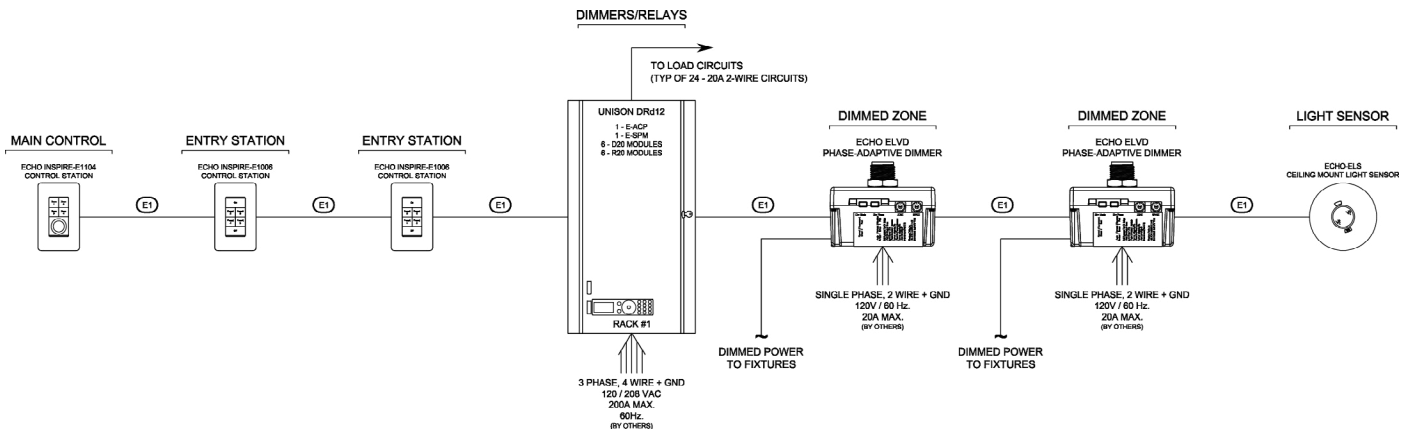
MODEL	DESCRIPTION
ERP	Echo Relay Panel Mains Feed
ERPA	Echo Relay Panel Mains Feed 277 V
ERP-FT	Echo Relay Panel Feedthrough
IQ	Sensor IQ Intelligent Breaker System
SR3	Sensor3 Power Control System
DRd	Unison DRd with Echo Control

SAMPLE ECHO SYSTEMS

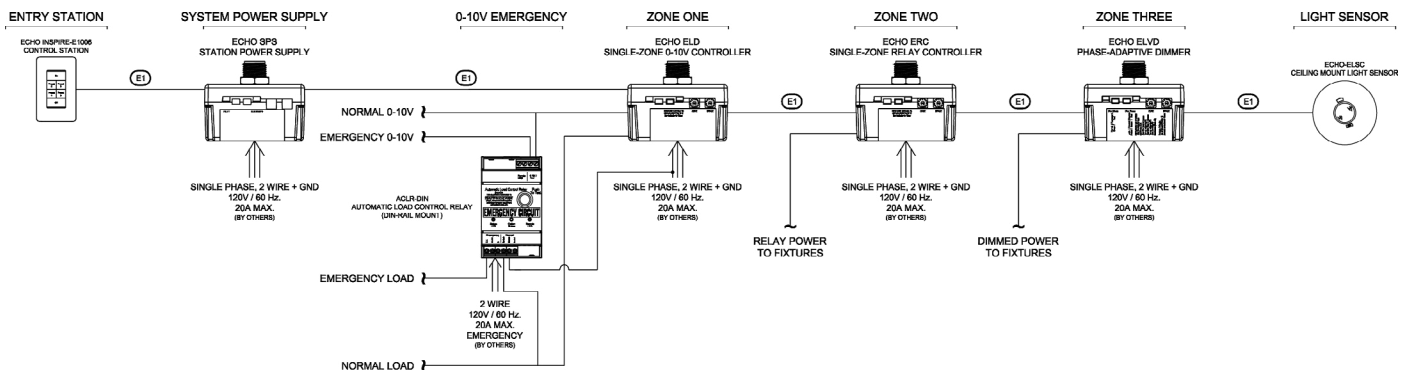
SMALL SYSTEM



MEDIUM SYSTEM

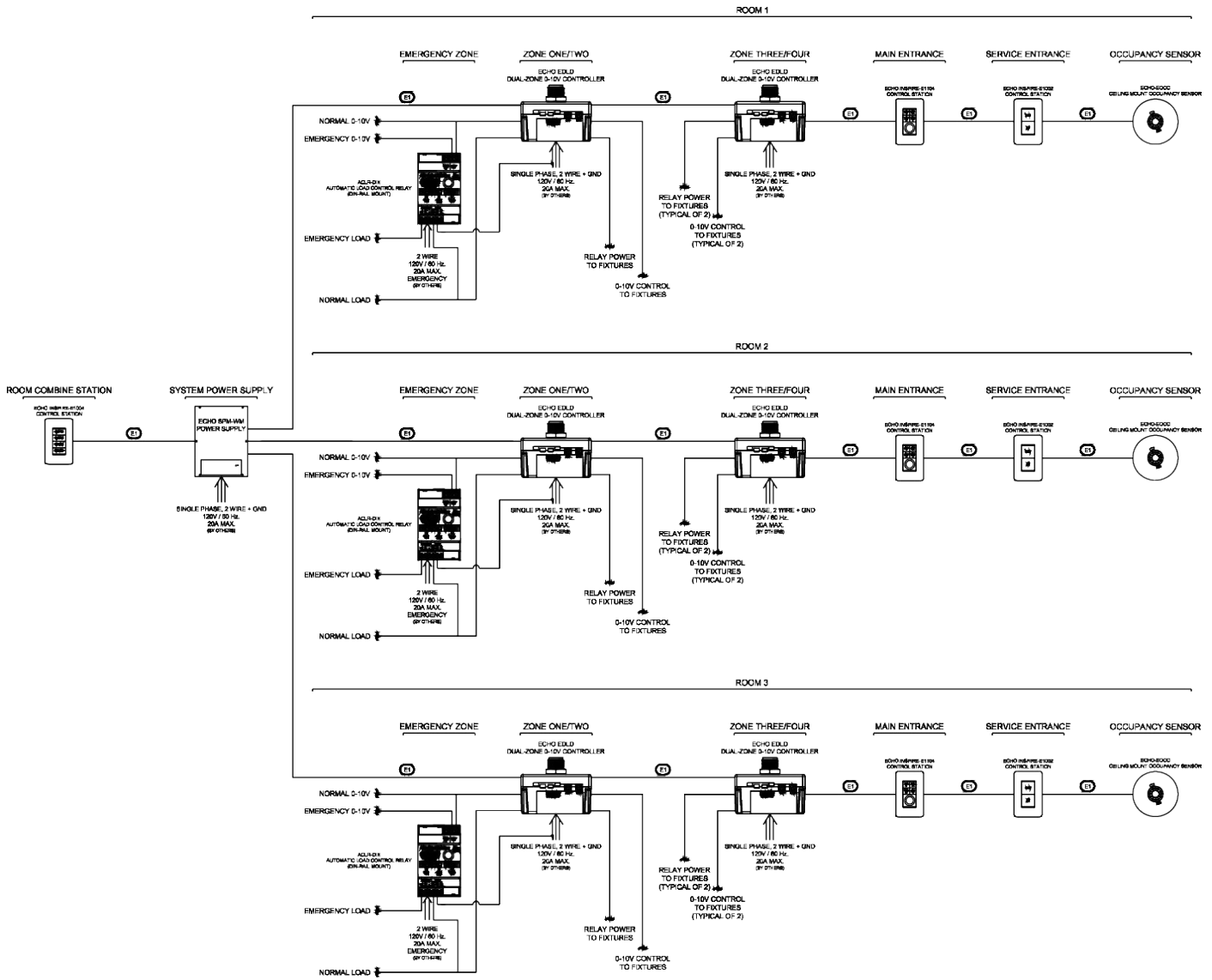


CONFERENCE ROOM



SAMPLE ECHO SYSTEMS

MEDIUM BALLROOM



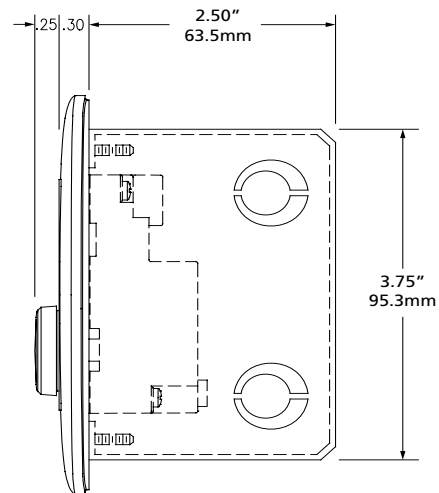
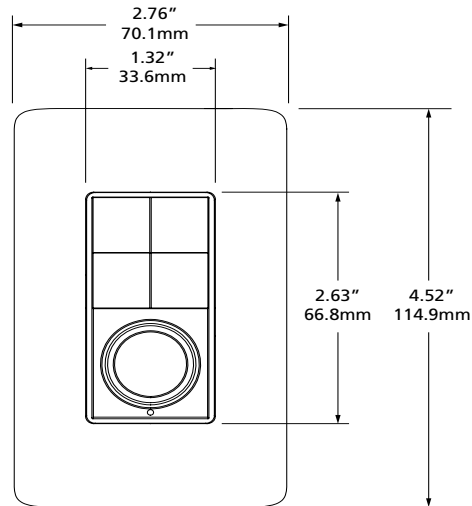
PHYSICAL

Product Dimensions

MODEL	HEIGHT		WIDTH		DEPTH	
	in	mm	in	mm	in	mm
E100X	4.52	115	2.76	71	0.30	8
E1104	4.52	115	2.76	71	0.55	14

Product Weights

MODEL	WEIGHT		SHIPPING WEIGHT	
	oz	g	oz	g
E100X	3.68	105	7.49	213
E1104	3.75	107	7.54	214



Corporate Headquarters • Middleton, WI USA
 Global Offices • London, UK • Rome, IT • Holzkirchen, DE • Paris, FR • Hong Kong
 Dubai, UAE • Singapore • New York, NY • Orlando, FL • Los Angeles, CA • Austin, TX
 Copyright©2022 ETC. All Rights Reserved. All product information and specifications subject to change. Rev O 2022-02
 *Trademark and patent info: etcconnect.com/IE