

Description and Wiring Diagrams

Model PH-16 Headset



General Description

PH-16 is a monaural headset with a noise canceling dynamic microphone. The PH-16 is designed to fit under a helmet with an environmental protection agency noise reduction rating (NRR) of 24 dB. The headset cord is terminated with a 4 pin XLR female connector.

Design Features

The dynamic receivers have special mountings which resist shock, vibration and acoustic feedback. The ear cups are foam lined for added noise attenuation. The vented, foam-filled ear cushions combine comfort with good acoustic seal. The receivers and ear cushions are field-repairable.

The headband has two adjustments: the behind-the-head portion adjusts the pressure of the ear cups against the head, and is adjustable simply by applying pressure to the headband springs while wearing the unit; the over-the-head portion provides adjustment for different head sizes, and consists of mating hook and pile straps.

The headset features a boom arm with a sealed ball-and-socket joint and flexible boom for precise microphone placement. The microphone cordage is completely concealed and protected within the boom arm.

Specifications

Receivers:

Type: Dynamic
 Input Impedance: 300 Ohms at 1 kHz
 Frequency Response: 350 Hz to 3.0 kHz
 Sensitivity: 103dB (1mW @ 1 kHz input at max. volume setting)

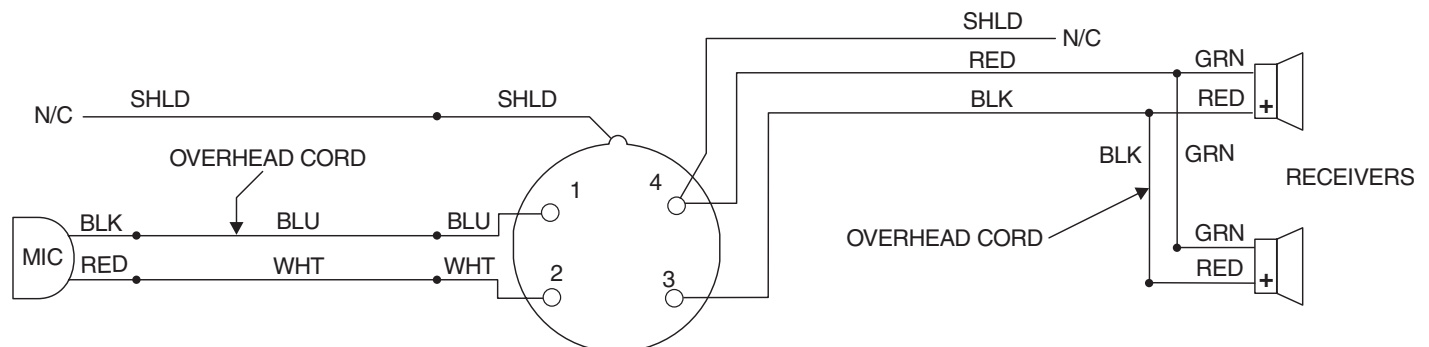
Microphone:

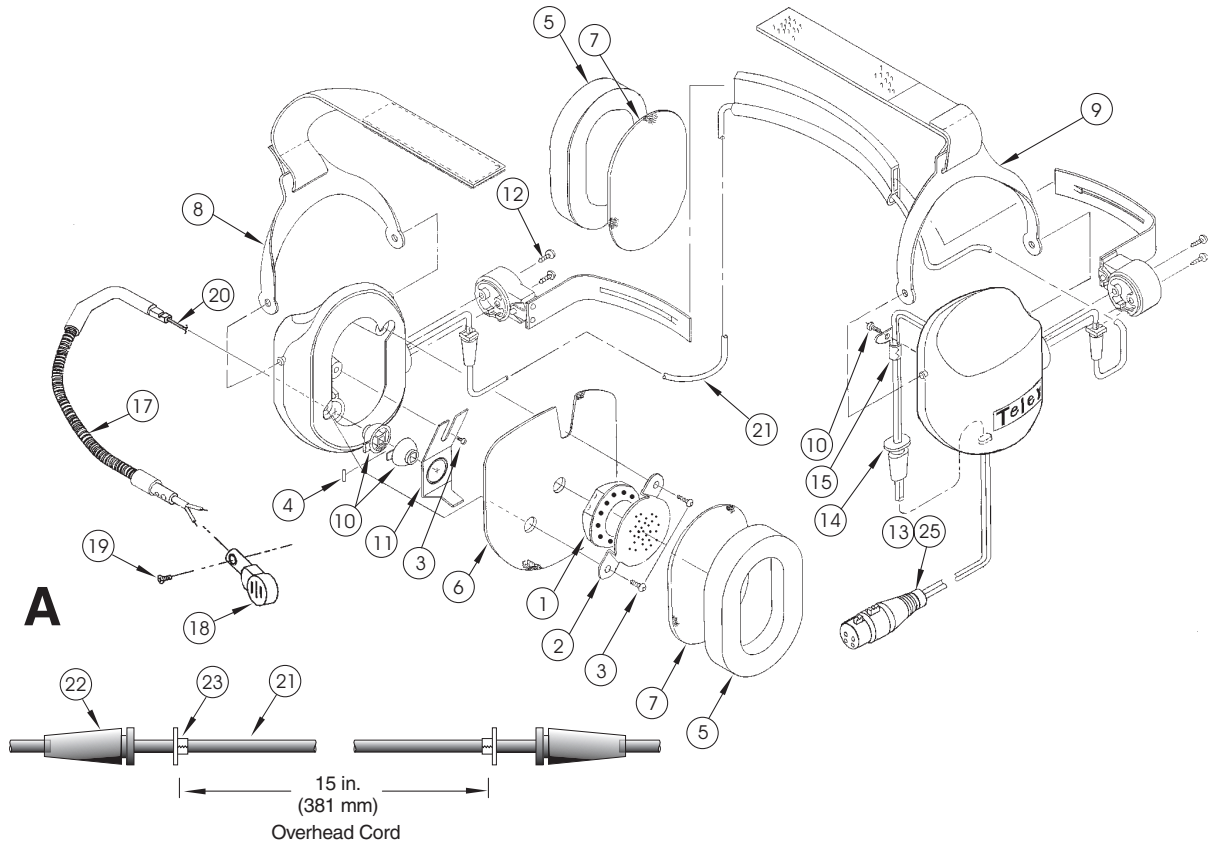
Element Type: Noise-cancelling dynamic
 Output Impedance: 150 ohms
 Frequency Response: 100 Hz - 8 kHz
 Sensitivity: -83 dB (ref.: 0 dB = 1 v/bar)
 Matching Impedance: 50-600 ohms
 Cordage: Straight cord Approximately 5 1/2' (-101)
 Coiled cord (optional)

Connectors: 4 pin XLR female

Weight: Gross Weight: Approx. 20 oz. (567 grams)

Color: Non-reflective satin black





Item	Part #	Description	Qty
1	590175-001	Driver	1
2	700262-000	Bracket	1
3	51856-007	Plastite Screw, 6-19 x 3/8	6
4	70381-000	Boom Stop	1
5	70451-001	Cushion Assy.	2
6	70762-000	Acoustic Foam	2
7	70802-000	Driver Cover	2
8	58632-000	Headband Strap Assy.	1
9	58632-001	Headband Strap Assy.	1
10	63451-003	Ball Half	2
11	70811-000	Ball Joint Spring	1
12	51856-610	Plastite Screw, 6-19 x 5/8	4

Item	Part #	Description	Qty
13	70805-003	Coiled Cord Assy. W/Connector	1
14	63456-010	Strain Relief	1
15	54462-000	Terminal	1
16	53105-000	Pin Receptacle	4
17	71115-002	Flex Boom	1
18	800062-002	Dynamic Microphone Assy.	1
19	51845-018	Screw, Pan Head, Phillips, 2-56 x 1/8	2
20	60051-277	Cord Unit	1
21	70754-011	Overhead Cord, 2'	1
22	70812-000	Strain Relief	2
23	52888-003	Retainer	2
24	70805-008	Straight Cord	1

ORDERING INFORMATION

PH-16 Under-Helmet Headset Catalog no. 70770-101/100

TELEX®