



General Description

The Telex PH-100 and PH-200 are premium medium-weight, noise reduction headsets with dynamic microphones. They both have a noise attenuation of 21+ dB, and are suitable for use in moderately noisy environments. All models feature a unique headband design that distributes ear cushion pressure evenly over the entire ear with no pressure points, unlike conventional designs which apply more pressure on the bottom of the ear than on the top. Because we use a high-quality moleskin fabric to cover the earpiece, you will enjoy enhanced comfort. Besides being comfortable, the PH-100 and PH-200 are highly portable, being able to fold into an extremely compact shape.

Replacement Part	Part No.
Ear Cushion	560353-000
Headband Pad	800929-000
Windscreen	59774-003

Design Features

Comfortable foam-filled, moleskin covered headband pad and ear cushions. The headband pad evenly distributes the headset weight, with no pressure points, for maximum wearer comfort. The moleskin ear cushions combine comfort and light weight with excellent acoustic seal. Cushions are field-replaceable.

Boom Microphone

The boom arm features a sealed ball-and-socket joint and flexible boom for precise microphone placement on any head size. The boom rotates overhead for microphone placement on either side of the head. The microphone cartridge is a dynamic element.

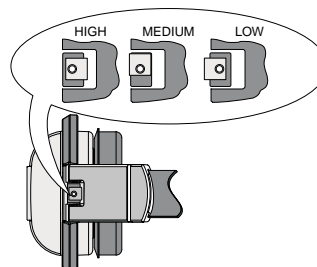
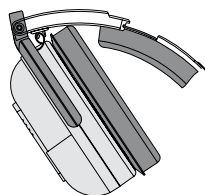
Cordage

Shielded headset cordage protects against RFI and EMI. Strain-reliefs on all cords provide maximum durability.

Operation

Headband Pressure Adjustments

There are three pressure settings. Increasing the pressure will improve the seal between the earcup and the head for greater noise reduction. To change the pressure setting, remove the headset and fold the earcup inward as shown, then rotate the adjustment knob to the desired setting. Repeat for both earcups. Both sides of the headband should be set to the same pressure setting to keep the headset properly centered on the head.



SPECIFICATIONS

Receivers:

Type: Dynamic
 Frequency Response: 50 Hz-15 kHz
 Sensitivity: 100 5dB SPL (1 kHz, 1mW input)
 Impedance (at 1 kHz): 150 ohms (receivers wired in parallel)

Microphone:

Element Type: Noise-cancelling dynamic
 Frequency Response: 100Hz-3.5 kHz with 100-ohm load
 Sensitivity: -53 +2/-1 dB (ref: 1 V/bar at 1kHz with 1 00-ohm load)

Matching Impedance: 50-600 ohms

Cordage:

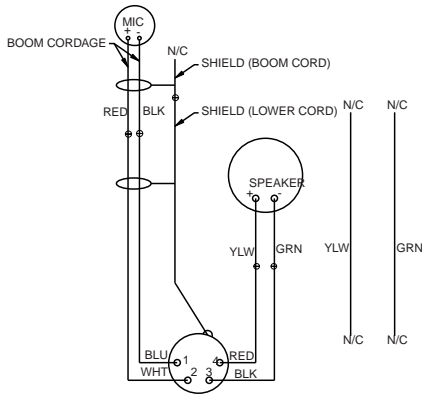
PH-100/200: Straight cord, 5ft. (1.5m)

Connectors:

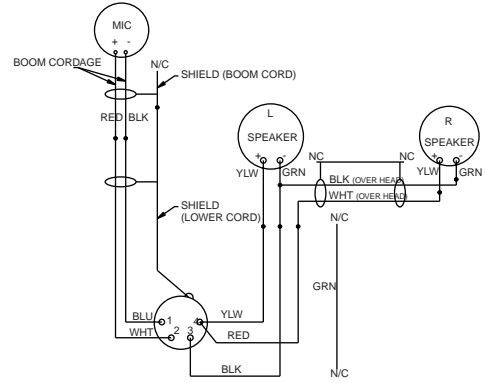
4 pin XLR male or female, 5pin XLR male.

Weight:

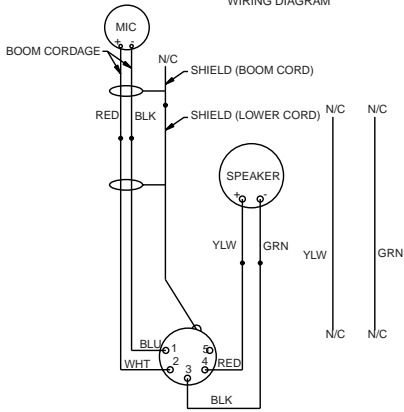
Gross Weight: Approx 16 oz. (454 g)
 Effective Head Weight: Approx 14.2 oz.(403 g)



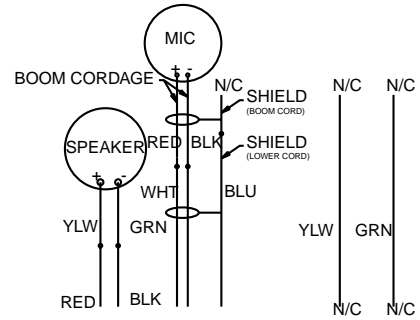
PH-100, PH-100R
WIRING DIAGRAM



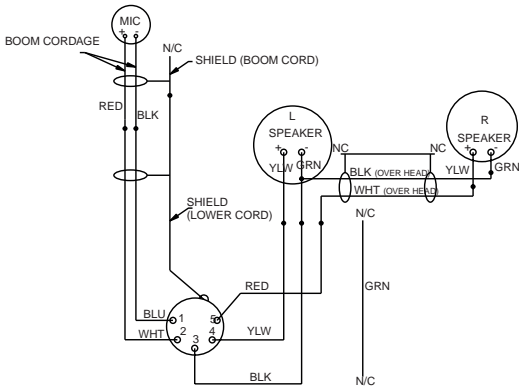
PH-200, PH-200R
WIRING DIAGRAM



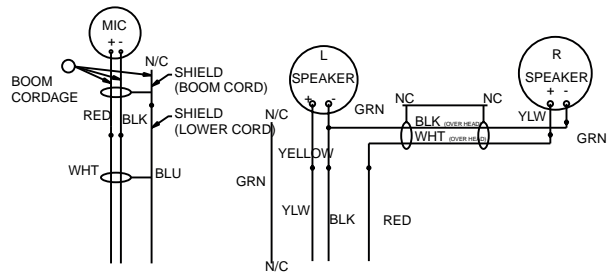
PH-100R5
WIRING DIAGRAM



Single sided Pigtail
Wire Diagram



PH-200A5, PH-200R5
WIRING DIAGRAM



Dual sided, pigtail
Wiring Diagram

Ordering Information		
PH-200	Double sided w/boom, 4 pin female connector	Catalog No. 301581-002
PH-200 R	Double sided w/boom, 4 pin male connector	Catalog No. 301581-003
PH-200 A5	Double sided w/boom, 5 pin female connector, stereo	Catalog No. 301581-004
PH-200 R5	Double sided w/boom, 5 pin male connecto, stereo	Catalog No. 301581-005
PH-200 (PT)	Double sided, w/boom, pigtail	Catalog No. 301581-006
PH-100	Single sided, w/boom, 4 pin female connector	Catalog No. 301581-007
PH-100 R	Single sided, w/boom, 4 pin male connector	Catalog No. 301581-008
PH-100 A5	Single sided, w/boom, 5 pin female connector	Catalog No. 301581-009
PH-100 R5	Single sided, w/boom, 5 pin male connector	Catalog No. 301581-010
PH-100 (PT)	Single sided, w/boom, pigtail	Catalog No. 301581-011

For questions or orders call:

Telex Communications, Inc
12000 Portland Ave South
Burnsville, MN 55337 USA
Telephone: 800-392-3497
Fax: 800-323-0498

TELEX

TELEX COMMUNICATIONS, INC. • 12000 Portland Ave. S., • Burnsville, MN 55337 U.S.A.