

1-5. Installation Space

When installing, the installation space must be secured in consideration of the ventilation and service operation.

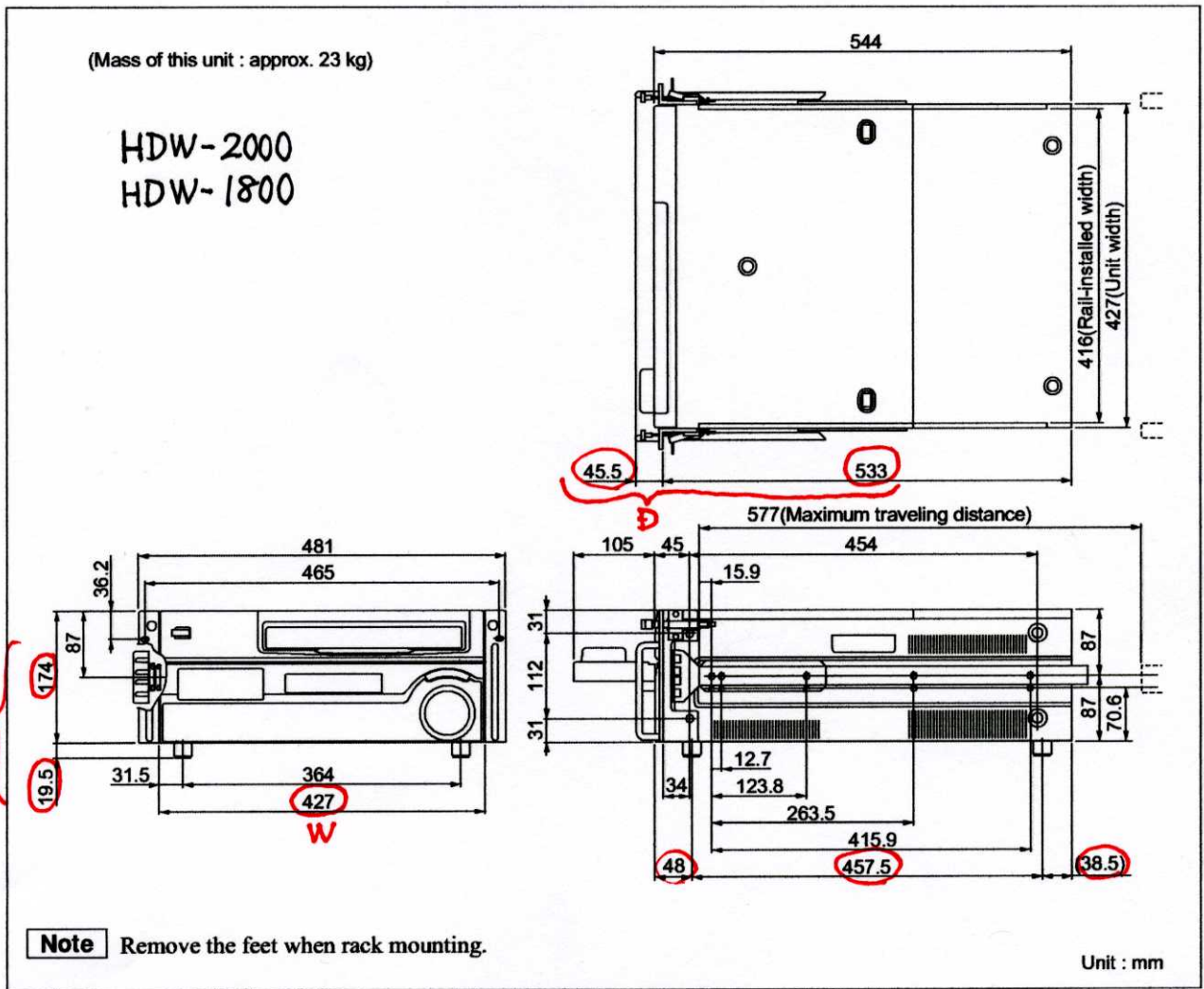
- Do not block the ventilation slots at the left side and right side panels, and vents of the fans.
- Leave a space around the unit for ventilation.
- Leave more than 40 centimeters of space in the rear of the unit to secure the operation area.

When the unit is installed on the desk or the like, leave at least four centimeters of space in the left and right sides. Leaving 40 centimeters or more of space above the unit is recommended for service operation.

Moreover, an air flow that is effective in cooling the unit is essential. If the ventilation is not enough, the unit may be damaged because of an increase of the internal temperature.

Note

This unit is air-cooled by the five fans. The operation with the upper lid is removed affects the air cooling by the fans. Complete the work in a short time as possible when operating the unit for inspection with the upper lid removed. If it takes a long time, blow to the unit by an electric fan to cool the unit.



Dimensions when Rack-Mounting

Note

This unit allows the operation with the detached lower control panel unit. For details, refer to Section 1-12.