



ES945O/XLR

ES945WO/XLR

Omnidirectional Condenser Boundary Microphone

User Manual

Safety precautions

Although this product was designed to be used safely, failing to use it correctly may result in an accident. To ensure safety, observe all warnings and cautions while using the product.

Cautions for the product

- Do not subject the product to strong impact to avoid malfunction.
- Do not disassemble, modify or attempt to repair the product.
- Do not handle the product with wet hands to avoid electric shock or injury.
- Do not store the product under direct sunlight, near heating devices or in a hot, humid or dusty place.

Notes on use

- Do not swing or pull with the cable connected to the microphone to prevent the microphone from becoming disconnected or damaged.
- Do not wind the cable around the rack or allow the cable to become pinched.
- The microphone should be placed on a flat, unobstructed mounting surface.
- Placing any object on a surface (such as a conference table) before its finish is fully cured may result in damage to the finish.

About splash-proof performance

- The splash-proof specification of this product applies only to the head of the microphone.
- Although the product has splash-proof capabilities equivalent to IPX4, the screw part and the connector part of the product are not splash-proof.
- If the product is not installed properly, the splash-proof effect will not function properly. Firmly attach the product to the ceiling/table using the included rubber isolators.
- The splash-proof performance is designed to protect the product if it gets wet from rain, etc. (equivalent to IPX4). JIS/IEC protection grade IPX4 means that the product is protected against exposure to flying water from all directions.
- The product cannot be used underwater.
- The product cannot be used in hot and humid places, such as bathrooms.
- The product is not waterproof. Putting a large amount of water on the product or submerging the product in water may cause damage.
- The product may not function properly if it becomes wet. Wipe the surface of the product with a dry cloth to remove any moisture, and allow the product to dry thoroughly before use.

Using the product

Included accessories

1



1 Rubber isolators

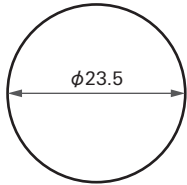
2



2 Nut

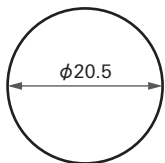
How to mount the product

Table/ceiling hole size (when using isolators)



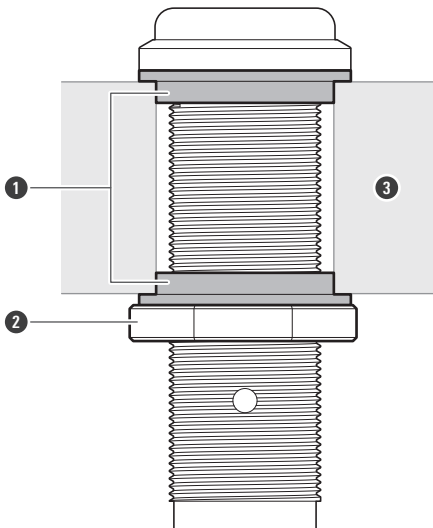
(Unit: mm)

Table/ceiling hole size (when not using isolators)



(Unit: mm)

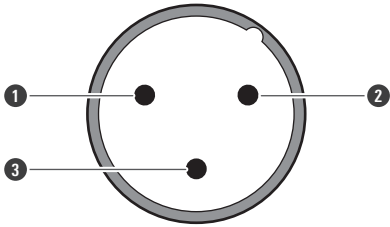
Example: Mounting on a table



- ① Rubber isolators
- ② Nut
- ③ Table

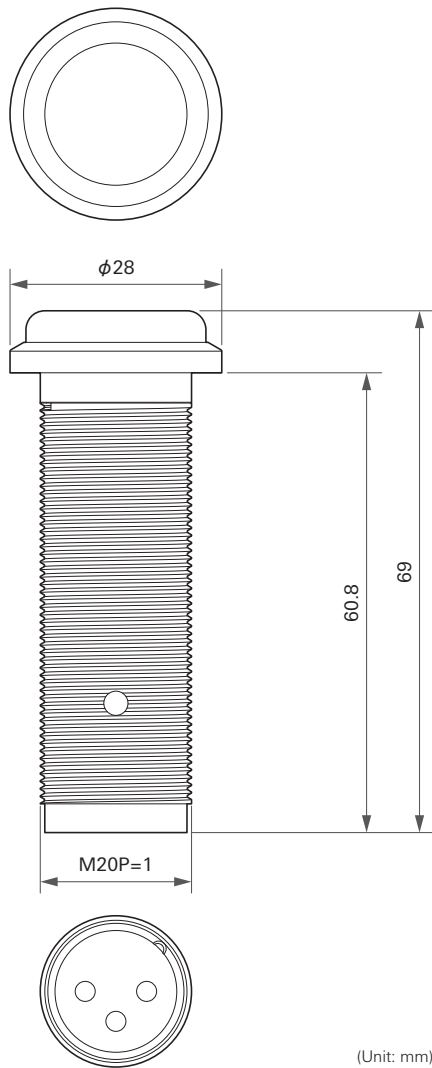
Connection procedure

The output connector is an XLR-M type with polarity as shown in the figure below.



- ① PIN1 (ground)
- ② PIN2 (hot)
- ③ PIN3 (cold)

Dimensions



(Unit: mm)

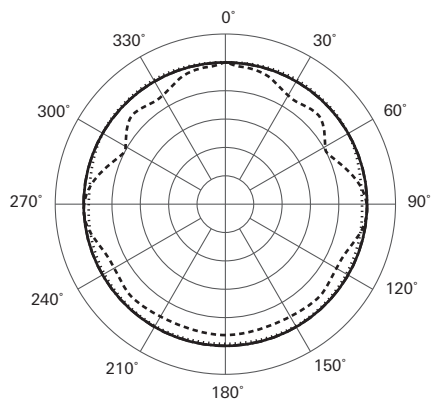
Specifications

Element	Fixed-charge back plate, permanently polarized condenser
Polar pattern	Omnidirectional
Frequency response	60 to 15,000 Hz
Open circuit sensitivity	-33 dB (0 dB = 1 V/Pa, 1 kHz)
Impedance	100 ohms
Maximum input sound level	130 dB SPL (1 kHz at 1% THD)
Dynamic range	109 dB (1 kHz at Max SPL)
Signal-to-noise ratio	73 dB (1 kHz at 1 Pa, A-weighted)
Phantom power requirements	11-52 V DC, 2 mA
Weight	62 g (2.2 oz)
Dimensions	69 mm (2.72") long, 28 mm (1.10") head diameter
Output connector	Integral 3-pin XLR-M type
Included accessories	Rubber isolator × 2, Nut

- 1 Pascal = 10 dynes/cm² = 10 microbars = 94 dB SPL
- For product improvement, the product is subject to modification without notice.

Polar pattern/Frequency response

Polar pattern

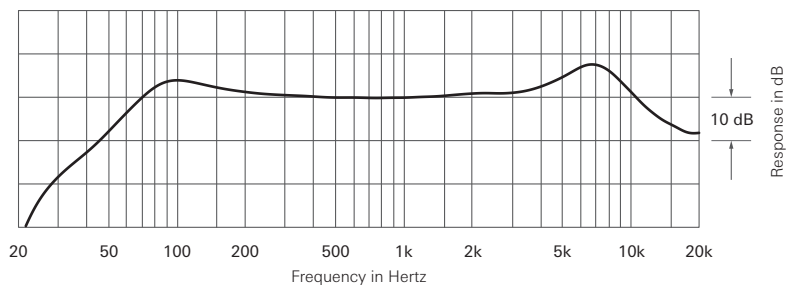


LEGEND

-----	200 Hz	SCALE IS 5 DECIBELS PER DIVISION
————	1 kHz	
.....	5 kHz	
-----	8 kHz	

Frequency response

60 - 15,000 Hz



LEGEND

————	0°, 50 cm
------	-----------

株式会社オーディオテクニカ

〒194-8666 東京都町田市西成瀬2-46-1
www.audio-technica.co.jp

Audio-Technica Corporation

2-46-1 Nishi-naruse, Machida, Tokyo 194-8666, Japan
www.audio-technica.com
©2021 Audio-Technica Corporation
Global Support Contact: www.at-globalsupport.com