

VANTEC-118A

Active front-loaded subwoofer system



- » 1 x 18" DAS 18FW loudspeaker
- » Class D amplifier 2000 Wpeak
- » Digital signal processing (DSP)
- » LOGO ON/OFF switch
- » "Deep-Loud" bass EQ switch
- » Low-pass filter 80 Hz-125 Hz
- » Top located pole mount socket
- » Click-Lock™ rigging super fast and secure

The VANTEC-118A is an active front loaded bass system which has been designed specifically for use with the VANTEC-20A curved source line array. Compact in size, the unit can be flown in arrays or linked together in ground stacks thanks to the DAS Click-Lock™ rigging system which is compatible with the VANTEC-20A.

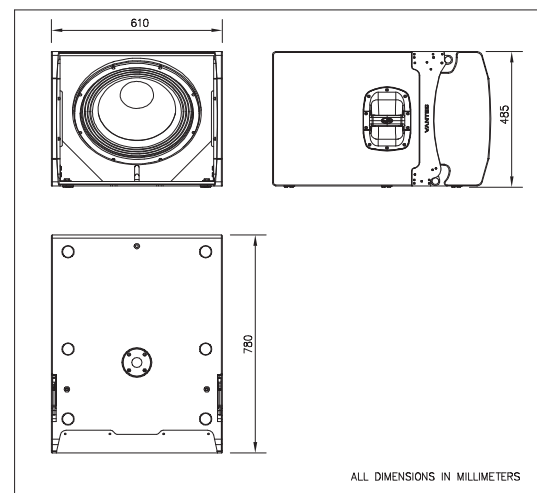
On the rear panel, controls can be found for gain, polarity and a continually variable low-pass filter which ranges from 80 Hz to 125 Hz. The VANTEC-118A is phase response coherent with the other Vantec Series active tops such as the VANTEC-20A offering precise alignment without the need of an external DSP.

The electronics package includes a 2000 Wpeak Class D amplifier and 24-bit high-end DSP for exceptional audio reproduction. A unique "Deep-Loud" EQ switch allows users to tailor the bass output to provide a low subwoofer type response using the "Deep" setting or a louder hard hitting performance in the "Loud" setting.

Technical Specifications

Power amplifier	2000 Wpeak (Class D)
Input Type	Balanced Differential Line
Input Impedance	20 kohms
Sensitivity¹	3 V (+12 dBu)
On-axis Frequency Range (-10 dB)	35 Hz - 125 Hz
Maximum Peak SPL at 1 meter	134 dB
Enclosure Material	Birch Plywood
Finish	Black/ISO-flex
Transducers/Replacement Parts	LF: 18FW/ GM-18FW
Connectors	INPUT: 2 x Female XLR LOOP THRU: 2 x Male XLR AC INPUT: powerCon NAC3FCA AC OUTPUT: powerCon NAC3FCB
AC Power Requirements	115 V, 4.4 A, 50 Hz/60 Hz 230 V, 2.2 A, 50 Hz/60 Hz
Dimensions (H x W x D)	485 x 610 x 780 mm 19.1 x 24.0 x 30.7 in
Weight	45.2 kg (99.7 lb)
Accessories (optional)	AX-VT20 ANL-2 TRD-6 PL-VT118S FUN-2-VT118

Dimensions



Notes:

1. Level control at 0 dB.

Product improvement through research and development is a continuous process at DAS Audio. All specifications subject to change without notice.

DAS Audio Group, S.L.
C/. Islas Baleares, 24
46988 Fuente del Jarro
Valencia, SPAIN
Tel. +34 96 134 0860

DAS Audio of America, INC.
6900 NW 52th Street
Miami, FL. 33166 - U.S.A.
TOLL FREE: 1 888 DAS 4 USA

DAS Audio Asia PTE. LTD.
3 Temasek Avenue, Centennial
Tower #34-36
Singapore 039190
Tel. +65 6549 7760

DAS do Brasil LTDA.
Rua Dos Andradas, 382 SL
Santa Efigênia, São Paulo
Brasil. CEP: 01208-000
Tel. +551133330764