

VANTEC-20A Two way, 12" Active Curved Source Line Array



- » Class D Bi-amplified 1500 Wpeak
- » FIR filters for linear phase response
- » 1 x DAS 12F4C + 2 x M-60 compression drivers
- » DAScontrol™ with presets and configurations
- » DASlink™ wireless streaming and remote control
- » Click-Lock™ rigging super fast and secure

The VANTEC-20A is an active curved source line array that incorporates an arsenal of hi-tech solutions designed to provide the versatility needed by today's sound hire professionals. Whether it be stacked on the VANTEC-118A companion subwoofer, flown in a compact array, or used alone on a speaker stand, the VANTEC-20A can be used effectively in an incredible number of applications that include corporate A/V, mid-size sound reinforcement, and permanent installation.

Fast and simple deployment is guaranteed thanks to the exclusive DAS Click-Lock™ rigging hardware which allows the system to be securely flown from or stacked on

the VANTEC-118A.

The DAScontrol™ interface allows users to easily configure the VANTEC-20A systems for use individually or in combination with other units. Selectable high pass filter presets facilitate alignment with the VANTEC-18A/218A and VANTEC-118A active bass systems without external processing. Throw compensation settings and array size selection can all be handled simply via the DAScontrol™ interface. When the VANTEC-20A is used individually, the DASlink™ APP can be used to stream music in high definition stereo and remotely control the systems functions.

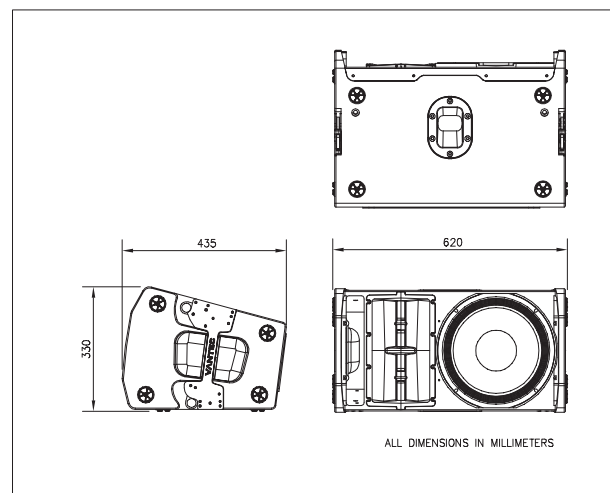
Technical Specifications

Power amplifier	1500 Wpeak (Class D Bi-amplified)
Input Type	Balanced Differential Line
Input Impedance	20 kohms
Sensitivity¹	3 V (+12 dBu)
On-axis Frequency Range (-10 dB)	63 Hz - 20 kHz
Maximum Peak SPL at 1 meter	135 dB
Coverage Angles (-6 dB)	90° H x 15° V
Enclosure Material	Birch Plywood
Finish	Black/ISO-flex
Transducers/Replacement Parts	LF: 1 x 12F4C/ GM-12F4 HF: 2 x M-60 / GM-M60N
Connectors	INPUT: 1 x Female XLR LOOP THRU: 1 x Male XLR AC INPUT: powerCon NAC3FCA AC OUTPUT: powerCon NAC3FCB
AC Power Requirements	115 V, 3 A, 50 Hz/60 Hz 230 V, 1.5 A, 50 Hz/60 Hz
Dimensions (H x W x D)	330 x 620 x 435 mm 13 x 24.4 x 17.1 in
Weight	28.6 kg (63.1 lb)
Accessories (optional)	AX-VT20 TRD-2 TRD-6 PL-VT20S FUN-3-VT20 ANL-2

Notes:

1. Level control at 0 dB.

Dimensions



Product improvement through research and development is a continuous process at DAS Audio. All specifications subject to change without notice.