

DESCRIPTION: Power distribution panel model ACR-RPC-1508-SD features remote power control circuitry, surge protection, and eight NEMA outlets—six switched (controlled by a remote switch, external trigger voltage, alarm system, or sequencer) and two unswitched (always on). All outlets are clearly marked to assist the integrator with connections. Terminal blocks in the rear of the panel connect to the external control (order separately). The panel features two-stage surge suppression to protect against power surges up to 40,000A. Color-coded LEDs show system status.

The compact steel chassis with black powder epoxy finish measures 19"W x 9"D x 1.75"H (1U). Termination is via an attached nine foot power cord with NEMA 5-15P plug.

FEATURES:

- **Outlets:** Unit features a total of eight NEMA outlets, which are either switched (controlled by external control) or unswitched (always on).
 - Rear Outlets:
 - NEMA 5-15R (2 unswitched single, 2 switched single, 2 switched duplex)
- **Connections for External Controls:** Plug-in barrier strip terminal blocks in the rear of the panel for external controls to activate and deactivate switched outlets.
 - **Left Terminal Block—input from Remote Switch:** Connect switch with momentary closure.
 - **Center Terminal Block—input from External Trigger Voltage:** Connect maintained closure trigger voltage (12-24V, AC or DC, 5mA) from a separate control system (by others).
 - **Right Terminal Block—input from Alarm System or Sequencer:** Integral override facilitates use in life safety applications where fire code mandates an alarm interface. Lock On, Lock Off, and Switch Lock for alarm system or master control panel applications.

When not used as an alarm interface, an external sequencer featuring maintained closure switch can be connected.

Surge Suppression:

- Two-stage surge suppression, non-ground contaminating
- LED status indicator shows protection is active when lit
- Maximum surge current: 40,000A
- VPR (UL1449-4): 400V
- Endurance: 1000 WCS* (unlimited low level surges)
- Response time: 1 nanosecond
- EMI/RFI noise reduction: 20dB@100kHz
- Protection mode: Line to neutral only. No ground contamination.

* *Surge Protection Endurance WCS (Worst Case Situation): Defined as power quality disruptions likely to cause facility infrastructure damage such as direct lightning strike, transmission line cross-connection or collapse (from severe storm, ice damage, etc.) sub-station transformer explosion, etc. Industry standards for residential and commercial service entrance equipment limit surges entering a facility from external sources to maximum of 6kV and 10kA.*

- **Power Rating:** 120VAC, 60Hz, 15A, 1800W
- **Circuit Breaker Protection:** 15A with reset switch
- **Power Cord:** Attached 9 ft. cord with NEMA 5-15P plug
- **Chassis:** 19"W x 9"D x 1.75"H (1U), 9 lbs.
- **Certification:** ETL Listed in US/Canada (UL60065)
- **Country of Origin:** Made in the U.S.A. with global components

A&E SPECIFICATIONS: The power distribution panel shall be Lowell Model ACR-RPC-1508-SD, which shall feature a total of eight NEMA 5-15R outlets including two unswitched (always on) and six activated/deactivated by an external control (not included). Rear barrier strip terminal blocks shall be included on the rear panel for input from the external control (remote switch, external trigger voltage, alarm system, or sequencer). The unit shall feature two-stage surge suppression to protect against power surges up to 40,000A. It shall feature a 15A circuit breaker with reset switch, and an attached 9 ft. power cord with NEMA 5-15P plug. The 19" x 9" x 1.75" (1U) chassis shall have a black powder epoxy finish. The panel shall be ETL Listed. It shall be made in the U.S.A. with global components.

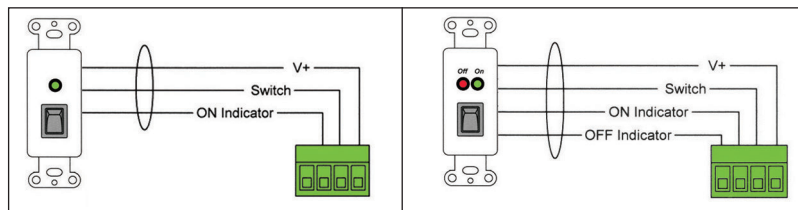
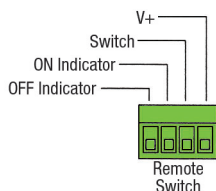
WIRING: Since switch functions are handled by low-voltage, low-current DC signals, almost any type of wire will work (CAT5, mic line, intercom wire, speaker wire, or phone wire). Shielding is not required but can be used.

Maximum wire distance: 24 ga.=20,000 ft., 22 ga.=31,200 ft., 18 ga.=76,800 ft.

CONNECTIONS for EXTERNAL CONTROLS: Plug-in barrier strip terminal blocks in the rear of the panel allow external controls to activate and deactivate switched outlets.

• **LEFT TERMINAL BLOCK – Input from Remote Switch:**

Connect remotely located momentary closure switch(es). Up to five switches can be utilized.

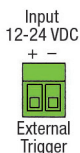


Wiring to momentary switch w/1 LED requires 3 conductors

Wiring to momentary switch w/2 LEDs requires 4 conductors

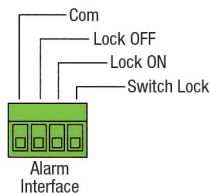
• **CENTER TERMINAL BLOCK – Input from External Trigger Voltage:**

Power to switched outlets can be activated and deactivated by an external trigger that provides maintained trigger voltage from a separate control system (by others). Input 12–24VDC.



• **RIGHT TERMINAL BLOCK – Input from Alarm System or Sequencer (or Maintained Closure Switch):**

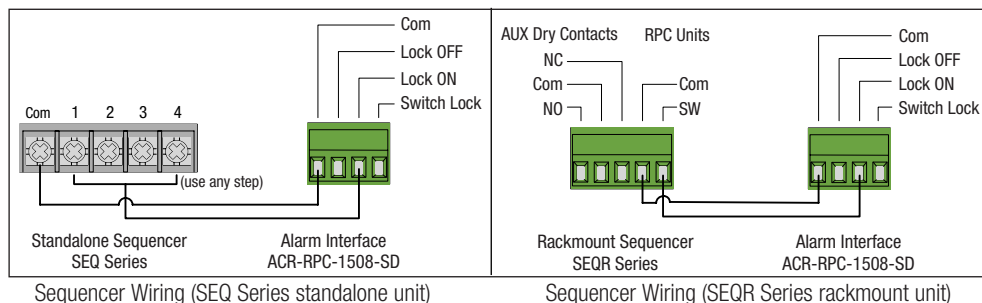
ALARM SYSTEM: If required by local building code, facility usage, or the Fire Marshal; system switches can be overridden and the system controlled by contact closures provided by the fire alarm panel or another similarly installed device. A maintained contact between the 'Com' terminal and any of the terminals shown will provide the following functions. **CAUTION:** Do not allow alarm system to make more than one of the contacts described below at the same time—it could cause controller board damage



- **Lock OFF:** A maintained contact between the 'Com' terminal and the 'Lock Off' terminal will turn the system off and keep it off regardless of other switch activations. If the system is already off, it will be kept off.
- **Lock ON:** A maintained contact between the 'Com' terminal and the 'Lock On' terminal will turn the system on and keep it on regardless of other switch activations. If the system is already on, it will be kept on.
- **Switch Lock:** A maintained contact between the 'Com' terminal and the 'Switch Lock' terminal will lock the system in its current state, either on or off, regardless of any other switch activations.

NOTE: Switch Lock function is overridden by External Trigger Voltage.

SEQUENCER (or Maintained Closure Switch): When not used as an alarm interface, an external sequencer that features maintained closure (or other maintained closure switch) can be connected. Connect sequencer output or maintained closure switch to "Com" and "Lock ON" terminals.



Sequencer Wiring (SEQ Series standalone unit)

Sequencer Wiring (SEQR Series rackmount unit)

INTERNAL USE ONLY: PN 21823

OPTIONS: (order separately)

- Lowell momentary closure switches:

Model	Description	Model	Description
RPSW-MP	1 LED rocker switch, white wall plate	RPSW2-MP	2 LED rocker switch, white wall plate
RPSB-MP	1 LED rocker switch, black wall plate	RPSB2-MP	2 LED rocker switch, black wall plate
RPSB-MR	1 LED rocker switch, 19" panel	RPSB2-MR	2 LED rocker switch, 19" panel
RPSW-MKP	1 LED key switch, white wall plate	RPSW2-MKP	2 LED key switch, white wall plate
RPSB-MKP	1 LED key switch, black wall plate	RPSB2-MKP	2 LED key switch, black wall plate
RPSB-MKR	1 LED key switch, 19" panel	RPSB2-MKR	2 LED key switch, 19" panel

- Lowell sequencers:

Model	Description
SEQ Series	Standalone sequencer (classic connections)
SEQR Series	Rackmount sequencer (classic connections)

ACR Series Power Distribution Panels

Model No.	Power Rating	Front Outlets	Rear Outlets	Surge Supp.	Power Input	Switch Type	Outlets Controlled by Switch	Network Interface	Charging Ports	Time Delay	Input from Remote Switch	Input from External Trigger	Input from Alarm System	Output to Remote Control	Lights	Country of Origin
ACR-1505-SSI-RC	15A	1 (15A)	4 (15A)	yes	6' cord	---	---	yes	rear	---	---	---	---	---	---	USA
ACR-1506-LTS	15A	---	6 (15A)	yes	9' cord	rocker	all	---	---	---	---	---	---	hd	USA	
ACR-1507-GNLT	15A	1 (15A)	6 (15A)	---	9' det.cord	rocker	2	---	---	---	---	---	---	goose	USA	
ACR-1507-HDLT	15A	1 (15A)	6 (15A)	---	9' det.cord	rocker	2	---	---	---	---	---	---	hd-nt	USA	
ACR-1507-SSI-FC	15A	1 (15A)	6 (15A)	yes	6' cord	---	---	yes	front	---	---	---	---	---	USA	
ACR-1508-SHW	15A	---	8 (15A)	yes	6' conduit	---	---	---	---	---	---	---	---	---	USA	
ACR-1509-S	15A	1 (15A)	8 (15A)	yes	9' cord	rocker	3	---	---	---	---	---	---	---	China	
ACR-159-S	15A	1 (15A)	8 (15A)	yes	9' cord	rocker	all	---	---	---	---	---	---	---	China	
ACR-2009	20A	1 (15A)	8 (15/20A)	---	9' cord	rocker	5	---	---	---	---	---	---	---	USA	
ACR-209-S	20A	1 (20A)	8 (20A)	yes	9' cord	rocker	all	---	---	---	---	---	---	---	China	
ACR-RPC-1508-SD	15A	---	8 (15A)	yes	9' cord	ext	6	---	---	---	yes	yes	yes	---	---	USA
ACR-SEQ4-1509	15A	1 (15A)	8 (15A)	---	9' cord	rocker & ext	6	---	---	SEQ	yes	---	yes	---	USA	
ACR-SEQ6-2009	20A	1 (15A)	8 (15A)	---	9' cord	rocker & ext	6	---	---	SEQ	yes	---	yes	yes	USA	

This spec

Surge Suppression = Panel includes basic surge suppression. (For rackmount panels with advanced surge suppression see ACSPPR Series.)

Power Input = cord (attached cord), det.cord (detachable cord), conduit (non-metallic flexible conduit)

Switch Type (activation) = rocker (rocker switch on front), ext (external switch, not included)

Outlets Controlled by Switch = Number of outlets activated/deactivated by switch. Other outlets are unswitched (always on).

Network Interface = Panel includes network pass-through ports.

Charging Ports = Panel includes high speed charging connectors for devices (USB-A, Type-C)

Time Delay (SEQ) = Panel includes sequencing to activate/deactivate switched outlets with a time delay between steps (adjustable).

Input from Remote Switch = Panel can be controlled by an external switch, typically placed in a remote location (order RPS Series switch separately).

Input from External Trigger = Panel can be controlled by external trigger voltage (separate control system by others, not included).

Input from Alarm System = Panel can accept control override from an alarm system (alarm by others, not included).

Output to Remote Control = Panel can activate/deactivate remote equipment (order RPC Series remote power controls separately).

Lights = hd (hooded white light), goose (gooseneck lights), hd-nt (hooded night-vision lights)

See individual product spec sheets for more information.

