

Potentiometer control with 5000 ohm impedance provides economical volume level adjustment in systems with low power circuits.

FEATURES:

- 5000 ohm impedance
- 5W audio power rating
- For applications with constant voltage 25V, 70V, or 100V loudspeaker systems
- Continuous attenuation (no stop at minimum or maximum)
- Includes:
 - Control mounted to one-gang standard stainless steel wall plate (2.75"W x 4.5"H) with stamped and filled dial scale
 - Fluted black knob
 - Mounting screws
- Assembled in the U.S.A. with global components

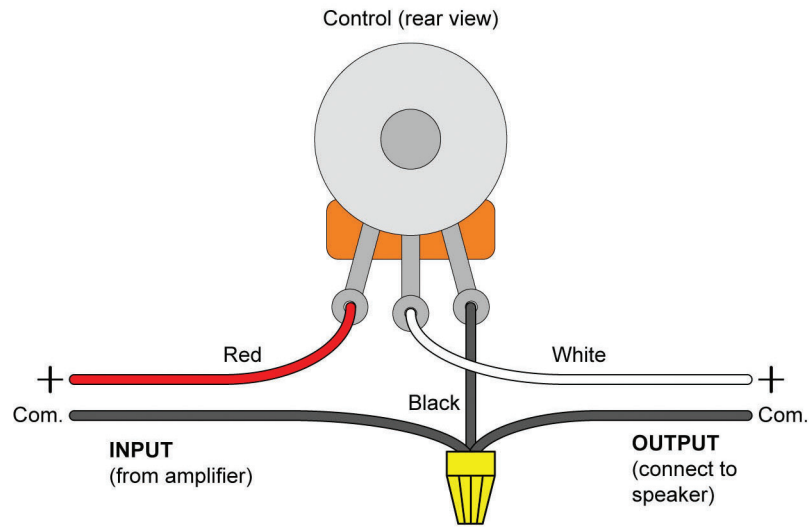
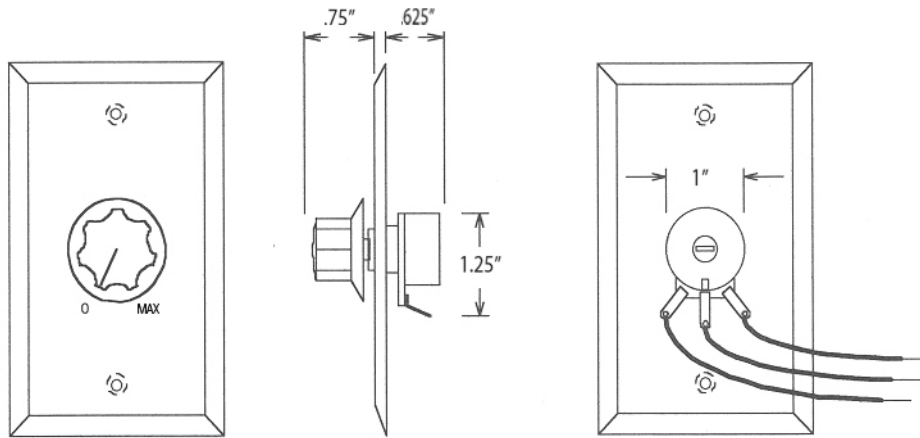
A&E SPECIFICATIONS:

The potentiometer control with 5000 ohm impedance shall be Lowell model LV-5K. It shall include a one-gang standard stainless steel wall plate with dial scale (0, max), fluted knob and mounting screws. It shall feature continuous attenuation (no stops).

Overview

Model No.	Resistance	Power Rating	Steps	Style	Color	For Use With
LV-5K	5000 ohm	5W Audio	Continuous*	Standard Wall Plate	SS	25V/70V/100V Speaker Line

* No stops



End View
PT-50S
PT-5K

