

LED WORK LIGHT 130W

The Altman Lighting LED Work Light is the ideal work light solution for any theatre space, large or small. The 3000K or 5000K, 130W single point source provides 10,000 lumens and offers a true tungsten look and feel. The LED Work Light comes with a metal filter frame for use with diffusion and color filters.

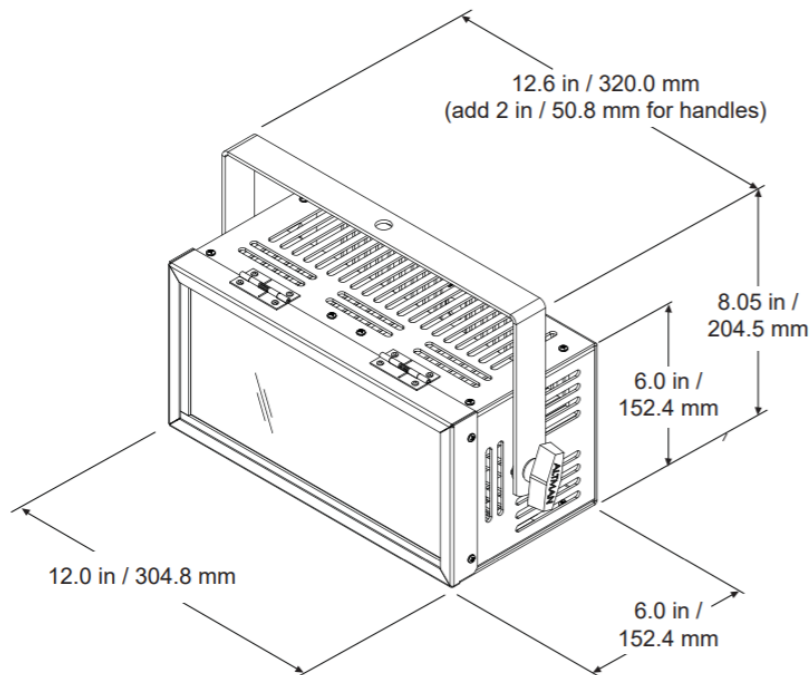
The Altman LED Work Light functions as an on/off only fixture for ease of use and offers yoke mounting making it an easy retrofit solution.



LED Worklight

Product Features:

- Designed as a cost effective, high impact LED work light solution
- 3000K or 5000K white, 90 CRI
- > 10,000 Lumens
- Asymmetrical reflector providing even light distribution
- Black or White finish available
- Uniform consistent white light
- Weight: 12 lbs. / 5.45 kg (approximate)
- Convection cooled, no fans
- cETLus listed, IP20 rated for indoor use only
- Made in the USA
- Five (5) year and one (1) day warranty
- No cost technical support for the life of your product



NOTE: Drawings not to scale.

Specifications

Materials: Corrosion-resistant materials and hardware

Housing: Lightweight aluminum construction

Control: Switched mains. Not dimmable.

Light Engine: 130W LED Array - Available in 3000K, or 5000K

Rated LED Life: Array rating >50,000 hours to L70

Input Voltage: 100-277 VAC 50/60 Hz

Watts: 130

LED Engine Cooling: Convection, passive

Environment: 0 - 40°C (32 - 104°F) with humidity of 5-95% non-condensing)

Weight: 12 lbs. (5.45 kg)

Body Color: Black or White. Custom colors - consult factory

Compliance: cETLus listed for indoor use

Warranty: Five (5) years and One (1) day

Support: Supported Forever - free phone and online tech support for the life of your product.

Ordering Information

WL-130-(LED Array)-(Body Color)

Model WL-130 LED Work Light

LED Array: 3K (3000K), 5K (5000K)

Body Color: Black (B) or White (W) or Custom (C)***

Voltage: 120 (120VAC), 220 (220VAC), or 277 (277VAC)

Included Accessories

70-3259-** Color Frame with Diffusing Gel

SC-36-BK Safety Cable

510 Malleable Iron Pipe Clamp

***Black (B) or White (W) or Custom (C). Consult factory for custom colors.*

Optional Accessories

WL-BD-BK Black Work Light Barn Doors

WL-BD-WH White Work Light Barn Doors

WL-BD-CP Custom Paint Work Light Barn Doors (Consult factory for custom colors.)

Performance				
Throw Distance (d)	4' / 1.2m	6' / 1.8m	8' / 2.4m	10' / 3.0m
Beam Size (HxV)	9.3' x 10.0' 2.8m x 3.0m	14.0' x 15.0' 4.3m x 4.6m	18.7' x 20.0' 5.7m x 6.1m	23.3' x 25.0' 7.1m x 7.6m
Illuminance (fc)	177	79	44	28
Illuminance (lux)	1,905	850	474	301

