

Slides forward for access to the rear of equipment and connections.



Ideally suited for built-in applications, the LPOR slides forward on support rails set in the lower base, providing access to the rear of equipment and connections. Ships unassembled.

FEATURES

- **Panel Space:** 12U or 21.00" [533]
- **Overall Height:** 22.87" [581]
- **Overall Depth:** 19.22" [488]
- **Pulled-out Depth:** 38.23" [971]
- **Overall Width:** 19.06" [484]
- **Bottom Slide Rails:** 4
- **Construction:** 14-gauge certified U.S. steel base and 11-gauge corner post rails with smooth black powder epoxy finish.
- **Installation:** The base can be mounted flush or recessed up to 2" in boxed wall or cabinetry. Front security panel screws into position to deter unauthorized access to mounted equipment.
- **Mounting Rails (corner post):** 11-gauge steel corner post rails tapped 10-32 with bi-directional numbered RU increments allow rail installation in either direction. Front rails are 12U; rear rails are 7U.
- **Cable Management:** Three (3) integral cable lacing bars in rear.
- **Hardware:** Pilot point screws with captive washers for quick assembly
- **Compliance:** EIA/TIA compliant. RoHS compliant.
- **Load Capacity:** Four (4) bottom slide rails support total load capacity of 250 lbs.
- **Optional:**
 - Zero-space shelf (LPTR-NS)

A&E SPECIFICATIONS

The EIA/TIA compliant 19" equipment rack shall be Lowell model LPOR4-1219 with overall dimensions of 22.87"H x 19.22"D x 19.06"W and usable height of 12 rack units (front rails shall be 12U; rear rails shall be 7U). Rack construction shall be certified U.S. steel—14-gauge base with 11-gauge corner post rails tapped 10-32—all with smooth black powder epoxy finish. The base shall be designed to slide forward on four (4) rails in the lower section, to access the rear of equipment and connections. The rear shall include three (3) cable lacing bars in the rear. The rack shall support a load capacity of 250 lbs. It shall be manufactured in the U.S.A. and ship unassembled.

Optional

- The rack shall include zero-space shelf model LPTR-NS.

LPOR SERIES SUMMARY

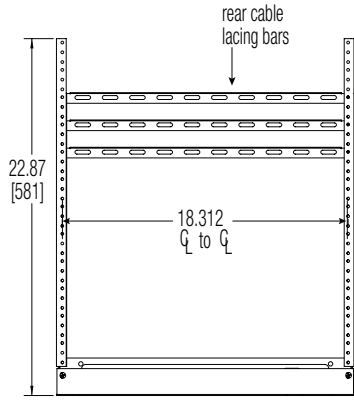
Model No.	Front Rails	Rear Rails	Bottom Slide Rails	Overall Depth	Pulled-out Depth	Usable Depth	Overall Height	Usable Height	Overall Width	Lacing Bars	Load Capacity
LPOR2-719	7 U	7 U	2	19.22 [488]	38.23 [971]	19.00 [483]	14.12 [359]	12.25 [311]	19.06 [484]	3	125 lbs.
LPOR2-1019	10 U	7 U	2	19.22 [488]	38.23 [971]	19.00 [483]	19.37 [492]	17.50 [445]	19.06 [484]	3	125 lbs.
LPOR2-1219	12 U	7 U	2	19.22 [488]	38.23 [971]	19.00 [483]	22.87 [581]	21.00 [533]	19.06 [484]	3	125 lbs.
LPOR2-1419	14 U	7 U	2	19.22 [488]	38.23 [971]	19.00 [483]	26.37 [670]	24.50 [622]	19.06 [484]	3	125 lbs.
LPOR2-1619	16 U	7 U	2	19.22 [488]	38.23 [971]	19.00 [483]	29.87 [759]	28.00 [711]	19.06 [484]	3	125 lbs.
LPOR2-2119	21 U	7 U	2	19.22 [488]	38.23 [971]	19.00 [483]	38.62 [981]	36.75 [933]	19.06 [484]	3	125 lbs.
LPOR4-719	7 U	7 U	4	19.22 [488]	38.23 [971]	19.00 [483]	14.12 [359]	12.25 [311]	19.06 [484]	3	250 lbs.
LPOR4-1019	10 U	7 U	4	19.22 [488]	38.23 [971]	19.00 [483]	19.37 [492]	17.50 [445]	19.06 [484]	3	250 lbs.
▶ LPOR4-1219	12 U	7 U	4	19.22 [488]	38.23 [971]	19.00 [483]	22.87 [581]	21.00 [533]	19.06 [484]	3	250 lbs.
LPOR4-1419	14 U	7 U	4	19.22 [488]	38.23 [971]	19.00 [483]	26.37 [670]	24.50 [622]	19.06 [484]	3	250 lbs.
LPOR4-1619	16 U	7 U	4	19.22 [488]	38.23 [971]	19.00 [483]	29.87 [759]	28.00 [711]	19.06 [484]	3	250 lbs.
LPOR4-2119	21 U	7 U	4	19.22 [488]	38.23 [971]	19.00 [483]	38.62 [981]	36.75 [933]	19.06 [484]	3	250 lbs.

Rack dimensions (rounded) – inches and [mm]; 1U = 1.75"

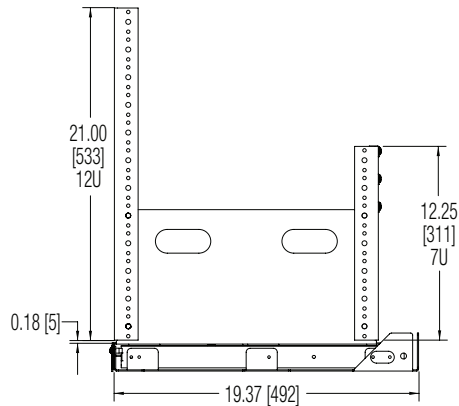


TECHNICAL DRAWINGS

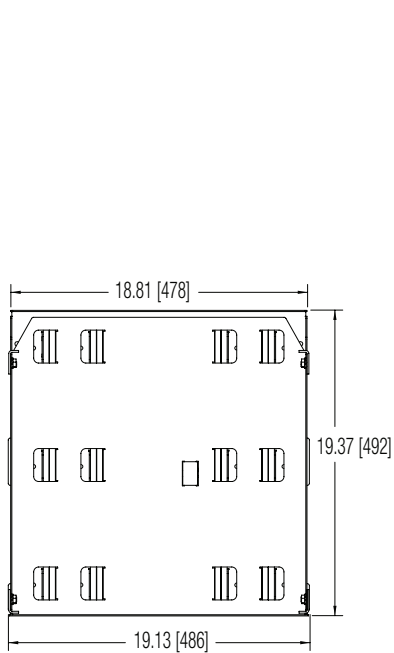
Dimensions are inches and [mm] unless stated otherwise.



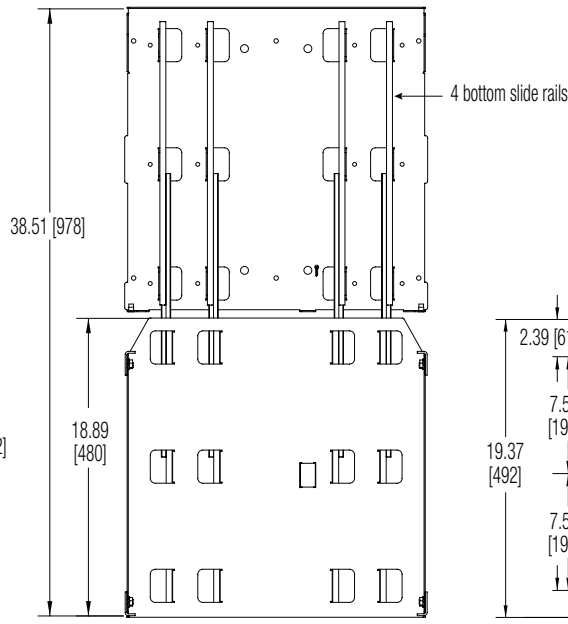
FRONT VIEW



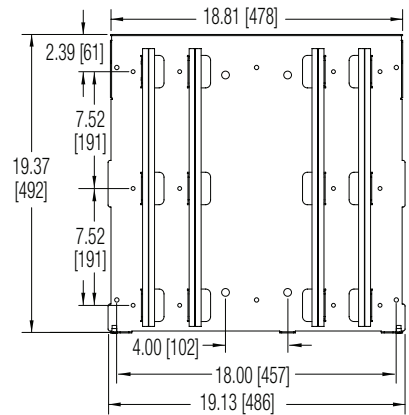
SIDE VIEW



BASE (UPPER SECTION)



BASE (PULLED OUT)



BASE (LOWER SECTION)

