

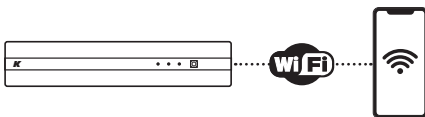


Description

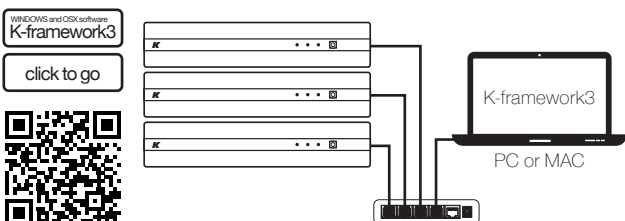
The Kommander-KA208 is a fully featured, 8x2500W@4Ω amplifier platform with DSP highly integrated into the K-array collection ecosystem.

The Kommander-KA208 offers pristine sound and complete control over the connected loudspeakers, either as a stand alone driving unit and in conjunction with other K-array amplifiers in complex and demanding applications.

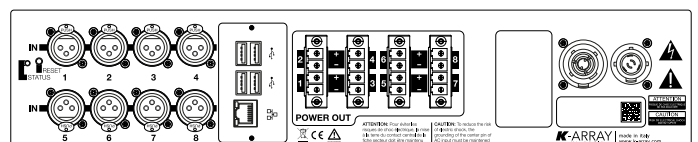
The dedicated K-array Connect mobile app provides a user friendly interface for remote control of the DSP main parameters and easy configuration of the signal routing.



K-framework3 is the managing and control software dedicated to professionals and operators looking for a powerful tool for designing and managing a large number of units over a wired LAN in demanding applications.



- Class D audio amplifier module 8x 2500W @ 4Ω.
- DSP onboard with:
 - Channel Grouping: group controls over multiple channels;
 - Input EQ: 3 bands fully parametric equalizer;
 - Output EQ: 8 bands fully parametric selectable filters: Peaking, High-Shelf, Low-Shelf, High-Pass, Low-Pass, HP-Butterworth, LP-Butterworth;
 - Dynamic limiters;
 - Signal routing: freely assignable input-to-output signal path with level adjustment;
 - Channel delay up to 115 ms.
- Integrated Electronic Brain (IEB) with osKar custom operating system running on quad core 1.5 GHz internal processor.
- REST API for easy integration with third-party remote control systems.
- K-array Connect mobile app for easy wireless access to the DSP features.
- K-framework3 multiplatform software for loudspeaker system design, managing, tuning and control of multiple units in demanding applications.

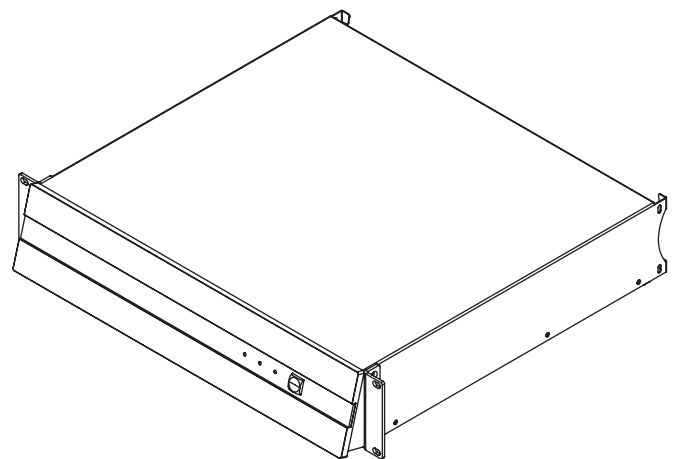
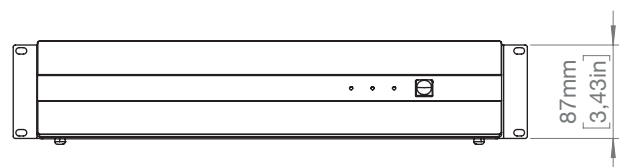
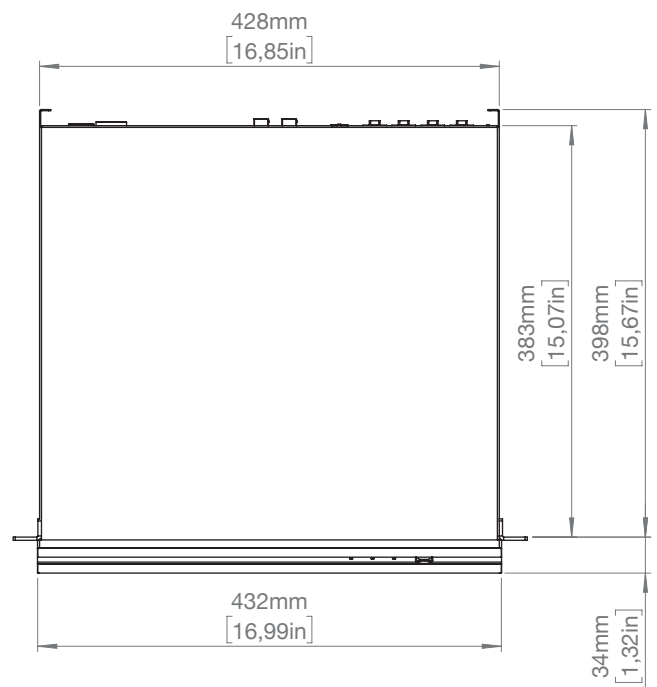


Technical Specifications

General	
Type	8ch switching mode, Class D Amplifier
Output Power ¹	8x 2500 W @ 4 Ω
Impedance	minimum 4 Ω
Frequency Response ¹	20 Hz – 20 kHz (±1 dB)
Connectors	Input: 8x XLR-F balanced input Output: 4x PC 4/ 4-ST-7,62 speaker output Remote connectivity: 1x Ethernet RJ45 4x USB-A Wi-Fi IEEE 802.11 b/g/n
Built-in DSP	Grouping, Input EQ, Output EQ, Signal Routing, Level adjustment, Dynamic Limiters, Delay
Remote control	Wi-Fi dedicated K-array Connect mobile app Ethernet wired K-framework3 multiplatform design and tuning software
MAINS Operating Range	100-240V ~ AC, 50-60 Hz with PFC via powerCON TRUE connector with power link
Power Consumption	1200 W @ 4 Ω load, Pink noise, 1/8 rated power
Protections	Thermal protection, output short circuit, RMS output current protection, high frequency protection, power limiter, clip limiter.

Handling & Finishes	
IP Rating	IP20
Dimensions (WxHxD)	430 x 87 x 430 mm (17 x 3,4 x 17 in)
Weight	10 kg (22 lb)
Material	Aluminum

¹ EIAJ 8/32 test standard



Notes:

Passive loudspeakers require dedicated presets loaded onboard K-array amplifiers.
New materials and designs are introduced into existing products without previous notice.
Present systems may differ in some respects from those presented in this document.

