



# PROTEUS™ EXCALIBUR



The **Proteus Excalibur™** is the newest member in the industry leading Proteus range of IP65 automated fixtures from Elation Professional. Excalibur is the brightest IP65 fully featured beam fixture ever created with incredible light output from a surprisingly compact fixture body. Rivaling existing Xenon Searchlights and Sky-Trackers, the extremely narrow 1.7° Beam ensures the fixture cuts effortlessly through the sky and is visible at great distances. The intense beam of the Proteus Excalibur projects from the ultra-wide 260mm front Lens as a massive column of light that stuns the audience.

A wide array of gobos and prism overlays allow animating the sky, and with its incredible light intensity all CMY colors remain strong and vibrant even when fully saturated. Beam control is provided through a precise internal focus lens, providing crisp projection without optical errors. Dual variable frosts allow to soften the beam when required. A remote-controlled Expander lens allows widening the beam to approximately 3.5 degrees. The fixture is ideally suited for theme parks, cruise ships, outdoor special events, large scale shows and concerts, and any situation where a massive beam or very powerful prism and flower effects are required. With its compact size and low power consumption the Proteus Excalibur can be utilized in almost any application.

## FEATURES

- Powerful 1.7° Beam Angle
- 3.5° Beam Expander
- CMY Color Mix
- Dual overlapping prisms
- Ultra-wide 260mm / 10" Front Lens
- IP65 rating protects from water and dirt
- 4000h Long Life 550W Lamp



**SPECIFICATIONS**

**SOURCE**

Philips MSD Platinum 500 Flex 550W Lamp  
 Variable Lamp Power  
 Automated Lamp Hibernation with Instant Recovery  
 Up to 4,000 Hour Lamp Life\*

\*Test lab conditions. May vary depending on several factors including but not limited to: Environmental Conditions, Power/Voltage, Usage Patterns (On-Off Cycling), Control, and Dimming.

**PHOTOMETRIC DATA**

20,000 Total Lumen Output  
 6500K  
 70,000 LUX @20m  
 CRI 75+

**EFFECTS**

Beam Expander  
 Rotating Prisms and Prism Macros  
 Dual Frost Filter Hybrid Wash Effect  
 Motorized Focus  
 High Speed Mechanical Shutter and Strobe

**COLOR**

14 Dichroic Colors Including CTO and UV  
 Full CMY Color Mixing

**GOBOS**

8 Interchangeable Rotating / Indexing Glass Gobos  
 17 Static-Stamped Metal Gobos

**CONTROL / CONNECTIONS**

2 DMX Channel Modes (22 / 32)  
 16-bit Pan, Tilt, and Dimming Control  
 Motorized Focus  
 DMX, RDM, Art-NET, and sACN Protocol Support  
 6 Button Touch Control Panel  
 Full Color 180° Reversible LCD Menu Display  
 Hibernation Mode (Power Save)  
 IP65 5pin DMX In/Out  
 IP65 RJ45 etherCON In/Out  
 Locking IP65 Power In

**SIZE / WEIGHT**

Length: 19.4" (493mm)  
 Width: 15.1" (383mm)  
 Vertical Height: 27.4" (697mm)  
 Weight: 101.4lbs (46kg)

**ELECTRICAL / THERMAL**

AC 100-240V - 50/60Hz  
 950W Max Power Consumption  
 14°F to 113°F (-10°C to 45°C)

**APPROVALS / RATINGS**

CE | cETLus | IP65

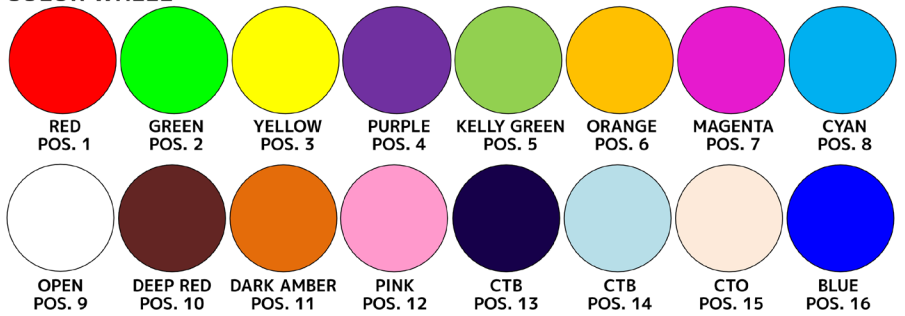


Specifications are subject to change without notice ©Elation Professional

Elation Professional USA | 6122 S. Eastern Ave. | Los Angeles, CA. 90040  
 323-582-3322 | 323-832-9142 fax | www.elationlighting.com | info@elationlighting.com

**COLORS, GOBOS, ANIMATION**

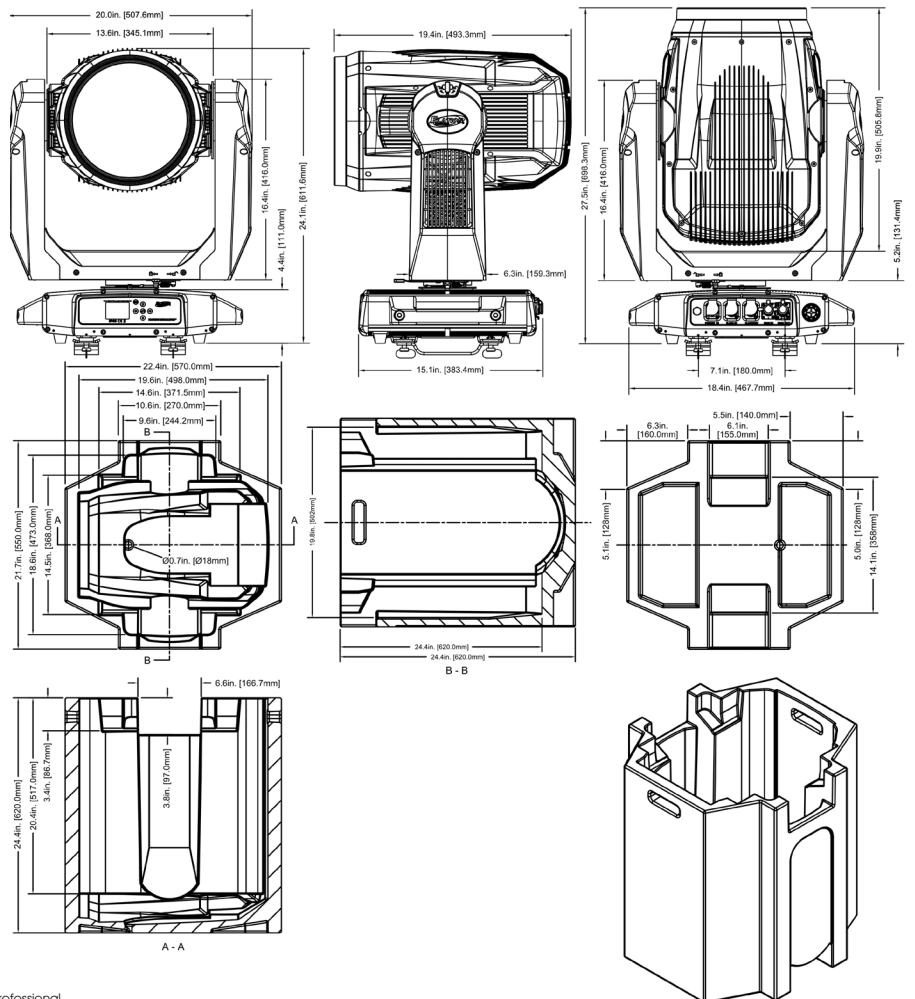
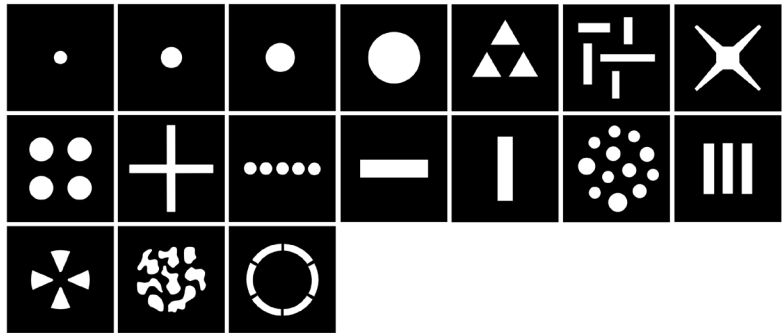
**COLOR WHEEL**



**ROTATING GOBO WHEEL 1**



**FIXED GOBO WHEEL 2**



Elation Professional B.V. | Junostraat 2 | 6468 EW Kerkrade, Netherlands  
 +31 45 546 85 66 | +31 45 546 85 96 fax | www.elationlighting.eu | info@elationlighting.eu