



Professional speaker system

C12CW

Two-way Loudspeaker System

The C12CW is a compact, 12" coaxial-driver, 2-way, highly weather-resistant full range loudspeaker with high SPL, the body is made of engineering plastic injection molding. The system conforms to IP56 international standard.

Features:

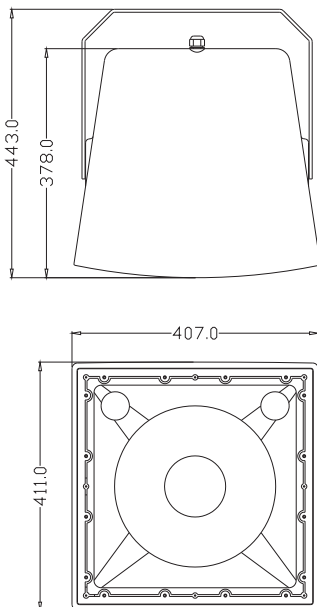
- ※ Highly weather-resistant IP56 rating
- ※ Engineering plastic injection molding
- ※ High SPL
- ※ Horn loaded design for coaxial components

Applications:

- ※ Sports facilities, stadiums, water parks
- ※ Outdoor background music, swimming pools
- ※ A wide variety of other outdoor venue types



Overall dimensions



Technical specifications

FREQUENCY RESPONSE(-3dB)	55Hz-18kHz
DRIVERS	1×12" (300mm)/3" voice coil LF 1×1" (25mm) /1.7"voice coil HF
INPUT VOLTAGE	100V
POWER	50W/100W/200W/OFF/8Ω 300W
SENSITIVITY	98 dB 1 watt/1 metre
MAXIMUM SPL	123 dB continuous, 129dB peak
IMPEDANCE	8 ohms nominal
DISPERSION(-6 dB)	80° × 80°
CROSSOVER	2.2 kHz passive
DIMENSIONS	(W)407mm×(H)411mm×(D)443mm
WEIGHT	19.8kg

