

## Crestron Flex Tabletop Small Room Audio Conference System for Microsoft Teams® Rooms Systems

The UC-MM30-TA and UC-MM30-TA-I Crestron Flex tabletop conference systems provide small room audio conference solutions for use with the Microsoft Teams® Rooms intelligent communications platform. They feature a Crestron Flex tabletop conference device.

### Minimum Requirements

- A Microsoft Teams or Skype® for Business software account
- An environment running Microsoft Exchange Server® software (2013 SP1 or later for on-premises installation or Microsoft 365® software for Cloud) for scheduling and/or Skype for Business 2015 (on-premises installation or Microsoft 365 software for Cloud)



### In the Box

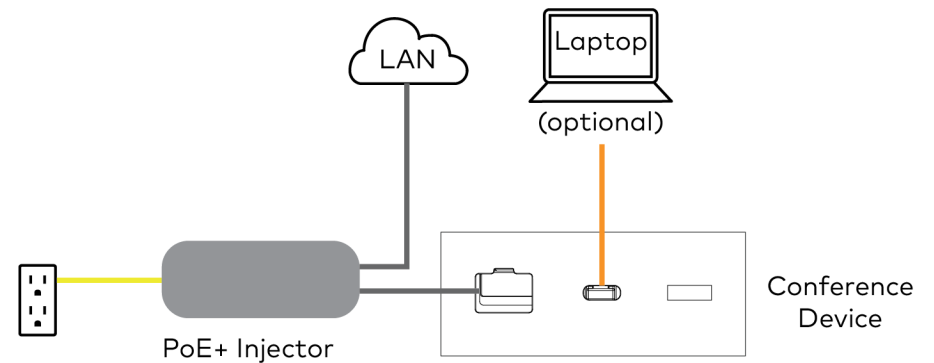
- 1 PoE+ injector (2055605)
- 2 Cable, CAT5e, RJ-45 - RJ-45, 11.8 ft (3.6 m) (2056204)
- 1 Cable, USB 2.0, A - Micro B, 5.8 ft (1.8 m) (2055579)



### Connect

Make device connections as shown below.

**NOTE:** A laptop connection to the conference device is optional. When connected, the conference device acts as a speakerphone.



- **CAT5e or better**  
11.8 ft CAT5e cable (x2)
- **USB**  
5.8 ft USB 2.0 A - Micro-B cable
- **Power**  
PoE+ Injector

## Crestron Flex Tabletop Small Room Audio Conference System for Microsoft Teams® Rooms Systems



### Sign Into the Microsoft Teams Service

When prompted by the tabletop conference device, tap **Sign In** at the bottom of the screen and follow the displayed instructions to sign into the Microsoft Teams service.

### Configure the Device

Use the device's settings screens to configure the device. The default password to access the administrator settings is "admin." Choose a new password when prompted.



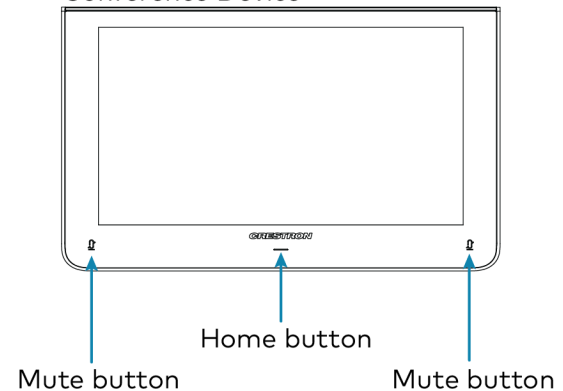
### Factory Reset

A factory reset may be performed when troubleshooting.

To perform a factory reset on the conference device:

1. Power cycle the device by disconnecting and reapplying power.
2. When the device powers on and the LEDs flash green, tap the home button below the Crestron® logo 10 times.
3. When prompted, confirm the factory reset. Use the mute buttons to move the selector to **Yes**. Press the home button to confirm.

Conference Device



4. The device will reboot.

## Crestron Flex Tabletop Small Room Audio Conference System for Microsoft Teams® Rooms Systems



### Visit the Product Page

Scan the QR code to visit the product page.

#### UC-MM30-TA



[www.crestron.com/model/6511697](http://www.crestron.com/model/6511697)

#### UC-MM30-TA-I



[www.crestron.com/model/6511698](http://www.crestron.com/model/6511698)

### Additional Information

#### Original Instructions

The U.S. English version of this document is the original instructions. All other languages are a translation of the original instructions.

Crestron product development software is licensed to Crestron dealers and Crestron Service Providers (CSPs) under a limited nonexclusive, nontransferable Software Development Tools License Agreement. Crestron product operating system software is licensed to Crestron dealers, CSPs, and end-users under a separate End-User License Agreement. Both of these Agreements can be found on the Crestron website at [www.crestron.com/legal/software\\_license\\_agreement](http://www.crestron.com/legal/software_license_agreement).

The product warranty can be found at [www.crestron.com/warranty](http://www.crestron.com/warranty).

The specific patents that cover Crestron products are listed at [www.crestron.com/legal/patents](http://www.crestron.com/legal/patents).

Certain Crestron products contain open source software. For specific information, visit [www.crestron.com/opensource](http://www.crestron.com/opensource).

Crestron and the Crestron logo are either trademarks or registered trademarks of Crestron Electronics, Inc. in the United States and/or other countries. Microsoft 365, Microsoft Exchange Server, Microsoft Teams, and Skype are either trademarks or registered trademarks of Microsoft Corporation in the United States and/or other countries. Other trademarks, registered trademarks, and trade names may be used in this document to refer to either the entities claiming the marks and names or their products. Crestron disclaims any proprietary interest in the marks and names of others. Crestron is not responsible for errors in typography or photography.

©2020 Crestron Electronics, Inc.

Doc. 8711A

08/27/20