

Panasonic®

Operating Instructions

Wireless Microphone

Model No. WX-ST400P



ENGLISH

FRANÇAIS

Before attempting to connect or operate this product, please read these instructions carefully and save this manual for future use.

The model number is abbreviated in some descriptions in this manual.

Safety precautions

WARNING:

- To prevent fire or electric shock hazard, do not expose this apparatus to rain or moisture.
- The apparatus should not be exposed to dripping or splashing and no objects filled with liquids, such as vases, should be placed on the apparatus.
- Batteries (battery pack or batteries installed) shall not be exposed to excessive heat such as sunshine, fire or the like.
- Operating near 1.9 GHz electrical appliances may cause interference. Move away from the electrical appliances.
- This device complies with Part 15 of the FCC Rules and Innovation, Science and Economic Development Canada's licence-exempt RSS(s). Operation is subject to the following two conditions: (1) This device may not cause harmful interference, and (2) this device must accept any interference received, including interference that may cause undesired operation.
- This transmitter must not be co-located or operated in conjunction with any other antenna or transmitter.
- **MEDICAL:**
Consult the manufacturer of any personal medical devices, such as pacemakers, to determine if they are adequately shielded from external RF (radio frequency) energy. (The unit operates in the frequency range of 1.92 GHz to 1.93 GHz, and the power output level is 115mW (max.)

Supplier's Declaration of conformity

Trade Name: Panasonic
Model No.: WX-ST400P

Responsible Party:

Panasonic Corporation of North America
Two Riverfront Plaza, Newark, NJ
07102-5490

Support Contact: 1-800-491-9986

wirelessmicsupport@us.panasonic.com

For U.S.A.



A nickel metal hydride battery that is recyclable powers the product you have purchased. Please call 1-800-8-BATTERY for information on how to recycle this battery.



For U.S.A.

FCC Caution:

Changes or modifications not expressly approved by the party responsible for compliance could void the user's authority to operate the equipment.

For U.S.A.

NOTE: This equipment has been tested and found to comply with the limits for a Class A digital device, pursuant to part 15 of the FCC Rules. These limits are designed to provide reasonable protection against harmful interference when the equipment is operated in a commercial environment. This equipment generates, uses, and can radiate radio frequency energy and, if not installed and used in accordance with the instruction manual, may cause harmful interference to radio communications. Operation of this equipment in a residential area is likely to cause harmful interference in which case the user will be required to correct the interference at his own expense.

For U.S.A.

The model number and serial number of this product may be found on the surface of the unit.
You should note the model number and serial number of this unit in the space provided and retain this book as a permanent record of your purchase to aid identification in the event of theft.
Model No. _____
Serial No. _____

For U.S.A.

CAUTION:
The FCC ID number for this radio equipment is listed below.

FCC ID: ACJ9TAWX-ST400P

For Canada

CAN ICES-3(A)/NMB-3(A)

For Canada.

RSS-Gen

- Under Industry Canada regulations, this radio transmitter may only operate using an antenna of a type and maximum (or lesser) gain approved for the transmitter by Industry Canada. To reduce potential radio interference to other users, the antenna type and its gain should be so chosen that the equivalent isotropically radiated power (e.i.r.p.) is not more than that necessary for successful communication.
- This device contains licence-exempt transmitter(s)/receiver(s) that comply with Innovation, Science and Economic Development Canada's licence-exempt RSS(s). Operation is subject to the following two conditions:
 1. This device may not cause interference.
 2. This device must accept any interference, including interference that may cause undesired operation of the device.

Safety precautions

IMPORTANT SAFETY INSTRUCTIONS

- 1) Read these instructions.
- 2) Keep these instructions.
- 3) Heed all warnings.
- 4) Follow all instructions.
- 5) Do not use this apparatus near water.
- 6) Clean only with dry cloth.
- 7) Do not install near any heat sources such as radiators, heat registers, stoves, or other apparatus (including amplifiers) that produce heat.
- 8) Only use attachments/accessories specified by the manufacturer.
- 9) Use only with the cart, stand, tripod, bracket, or table specified by the manufacturer, or sold with the apparatus. When a cart is used, use caution when moving the cart/apparatus combination to avoid injury from tip-over.
- 10) Refer all servicing to qualified service personnel. Servicing is required when the apparatus has been damaged in any way, such as power-supply cord or plug is damaged, liquid has been spilled or objects have fallen into the apparatus, the apparatus has been exposed to rain or moisture, does not operate normally, or has been dropped.



Product overview

This product is a tie pin wireless microphone.

- It uses a system based on the 1.9 GHz DECT* standard to achieve a stable connection over a wide area which makes for a clear audio with little interference.
 - * DECT (Digital Enhanced Cordless Telecommunications) is a digital cordless communication standard.
- It is powered with either one AA-size dry-cell battery (locally procured) or one AA-size rechargeable Ni-MH battery (locally procured).
- The compatible charger (WX-SZ200P: sold separately) allows for AA-size rechargeable Ni-MH batteries to be recharged while inside the microphone.

Limitation of liability

THIS PUBLICATION IS PROVIDED "AS IS" WITHOUT WARRANTY OF ANY KIND, EITHER EXPRESS OR IMPLIED, INCLUDING BUT NOT LIMITED TO, THE IMPLIED WARRANTIES OF MERCHANTABILITY, FITNESS FOR ANY PARTICULAR PURPOSE, OR NON-INFRINGEMENT OF THE THIRD PARTY'S RIGHT. THIS PUBLICATION COULD INCLUDE TECHNICAL INACCURACIES OR TYPOGRAPHICAL ERRORS. CHANGES ARE ADDED TO THE INFORMATION HEREIN, AT ANY TIME, FOR THE IMPROVEMENTS OF THIS PUBLICATION AND/OR THE CORRESPONDING PRODUCT(S).

Disclaimer of Warranty

IN NO EVENT SHALL Panasonic Corporation BE LIABLE TO ANY PARTY OR ANY PERSON, EXCEPT FOR REPLACEMENT OR REASONABLE MAINTENANCE OF THE PRODUCT, FOR THE CASES, INCLUDING BUT NOT LIMITED TO BELOW:

- ① ANY LOSS OR DAMAGE, INCLUDING WITHOUT LIMITATION, DIRECT OR INDIRECT, SPECIAL, CONSEQUENTIAL OR EXEMPLARY, ARISING OUT OF OR RELATING TO THE PRODUCT;
- ② ANY INCONVENIENCE, LOSS, OR DAMAGE CAUSED BY INAPPROPRIATE USE OR NEGLIGENT OPERATION OF THE USER;
- ③ ALL MALFUNCTIONS OR TROUBLES FROM UNAUTHORIZED DISASSEMBLY, REPAIR OR MODIFICATION OF THE PRODUCT BY THE USER, REGARDLESS OF THE CAUSE OF THE MALFUNCTION OR TROUBLE;

Safety precautions

- ④ ANY PROBLEM CAUSING FAILED SIGNAL TRANSMISSION RESULTING IN CONSEQUENTIAL INCONVENIENCE, LOSS OR DAMAGE, ARISING OUT OF CAUSES SUCH AS SYSTEM MALFUNCTION, FAULT, SET UP OR INSTALLATION.
- ⑤ ANY PROBLEM, CONSEQUENTIAL INCONVENIENCE, OR LOSS OR DAMAGE, ARISING OUT OF THE SYSTEM COMBINED BY THE DEVICES OF THIRD PARTY.
- ⑥ IMPOSSIBILITY TO USE THE PRODUCT OR ANY INCONVENIENCE, LOSS, OR DAMAGE ARISING OUT OF THE IMPOSSIBILITY TO USE THE PRODUCT BECAUSE OF RADIO WAVES BROADCAST BY THIRD PARTIES.

Copyright

Distributing, copying, disassembling, reverse compiling and reverse engineering of the software provided with this product are all expressly prohibited. In addition, exporting any software provided with this product violating export laws is prohibited.

Abbreviations

This manual uses the following abbreviations.

- “Wireless Microphone (WX-ST400P)” is referred to as “this product”, “the product” or “microphone”.
- “Charger (WX-SZ200P: sold separately)” is referred to as “charger”.
- “Wireless Antenna (WX-SA250P: sold separately)” is referred to as “wireless antenna” or “antenna”.
- “Wireless Receiver (WX-SR202P: sold separately)” is referred to as “wireless receiver” or “receiver”.

All information on separately-sold products contained in this manual is up-to-date as of June 2019. Refer to a retailer for the latest information.

Table of contents

Safety precautions	2
Product overview	5
Limitation of liability	5
Disclaimer of Warranty	5
Copyright	6
Abbreviations	6
Precautions	8
Usage precautions	10
Parts and their names	12
Inserting the battery	16
Microphone clip installation	18
Setting the microphone sensitivity ...	19
Pairing	20
Pairing with the WX-SR202P (wireless connection)	20
Pairing with the WX-SR202P (wired connection)	22
Confirming pairing	25
Attaching the microphone	27
Using the microphone	28
Connecting an external device	29
Replacing the battery	30
Recharging the battery	32
Troubleshooting	35
Specifications	38
Standard accessories	39

Precautions

Only use the original charger

Failing to do so may lead to leaks, overheating, and bursts.

Only recharge rechargeable Ni-MH batteries

Failing to do so may lead to leaks, overheating, and bursts in the batteries.

Turn the power OFF when boarding airplanes

Failing to do so may lead to safety concerns for the aircraft.

If the product shows any abnormality, immediately stop using it

If the product shows abnormalities such as smoke or an unusual smell coming out of the product, or damage to its outer shell, continuing to use it may pose hazards such as the product catching on fire or falling, leading to injuries to the users or to further damage to the product itself.

- Immediately remove the batteries and contact the retailer.

Do not bring the product near medical equipment (do not bring it into operation rooms, ICUs, CCUs, etc.)

The radio waves emitted from the product may interfere with the medical equipment causing it to malfunction and lead to accidents.

Do not use near automatic doors, fire alarms, and other automatic controllers

The radio waves emitted from the product may interfere with the automatic controllers causing them to malfunction and lead to accidents.

Do not place on unstable surfaces

The product may fall leading to accidents or injuries.

Do not charge, open, or short-out dry-cell batteries

Failing to do so may cause the batteries to leak or burst, leading to fires, injuries, and burns.

Do not open or short-out rechargeable batteries

Failing to do so may cause the batteries to leak or burst, leading to fires, injuries, and burns.

Do not attempt to disassemble or remodel the product

It may lead to fire or electric shock.

Do not spill any liquid

It may lead to fire or electric shock.

- Immediately turn the product OFF and contact the retailer.

Do not perform maintenance while the product is powered ON

It may lead to injury.

Refer to a professional for disposal

Burning the product may lead to harmful chemicals causing damage to the eyes, and it could pose a fire hazard or burn risk.

Insert the batteries according to the correct polarity (positive + / negative -)

Failing to do so may cause the batteries to leak or burst, leading to fires, injuries, and damage to the surroundings.

Do not install at places exposed to large amount of humidity and/or dust

It may lead to injury.

Do not install the product where children may reach it

It may lead to injury.

Do not use Ni-Cd batteries

Internal damage may lead to fires.

Usage precautions

Other than the aforementioned “**Precautions**”, make sure to follow the points below.

This product is intended for indoor use only

- It cannot be used outdoors.
Avoid exposing the product to direct sunlight for extended periods of time, and do not install it near air conditioners or heaters. Failing to do so may lead to damage to the shape and color of the product, and may cause it to malfunction. Also avoid exposure to water droplets and bubbles.

Use this product with care

- This product contains delicate components which may be damaged by improper use or storage.
- Repair or replace any damaged components.
- Subjecting the product to strong impacts, drops, etc. may alter its fine-tuning and change its characteristics. Please use it with care. Avoid impacting the product, as this will result in a strong impact sound noise.
- Do not disassemble the product or touch its inner components.

The operating temperature range is

- Between 5 °C (41 °F) and 35 °C (95 °F). Using the product outside of this range may cause it to malfunction or to be damaged.
When calculating the usage time, consider that the batteries will last less than usual below 10 °C (50 °F).

Storage and usage locations

- Avoid using the product where it could be affected by motors, transformers, or the ignition noise of cars.
- Be especially careful when using the product in a high place. It may fall leading to malfunctions and injuries.
- Do not use the product where there is a risk of damage from seawater or corrosive gases.
- Do not use the product near TVs, radios, computers, and other office automation appliances. Failing to do so may cause the product to pick up noise.
- Do not use the product near CS digital broadcasting receivers (tuners, digital TV sets with internal tuners, recorders, etc.). Failing to do so may cause the CS digital broadcast image to deteriorate.
- Do not leave the product in hot places such as near heat-diffusing appliances (power amplifiers, video monitors, measuring instruments, etc.) or closed-off cars in the summer. When storing the product, keep it away from moisture as much as possible.

Batteries

- Even when the power is turned OFF, batteries left inside the product will slowly be drained. Remove the batteries when you are not using the product, as failing to do so may cause battery leaks.
- Do not use or store batteries in hot places, such as under direct sunlight, inside closed-off cars during the summer, near open fires, stoves, etc.
- Do not touch the battery poles or the components behind the battery cover with dirty hands. Doing so may cause connection problems or noise.
- Do not use batteries which are deteriorated or which have suffered internal short-circuits. Failing to do so may lead to leaks, overheating, and bursts in the batteries.

Interception

- This product uses a difficult to intercept digital signal, but, as it uses radio waves, it might be possible for a third party to willfully intercept the transmission of the product.

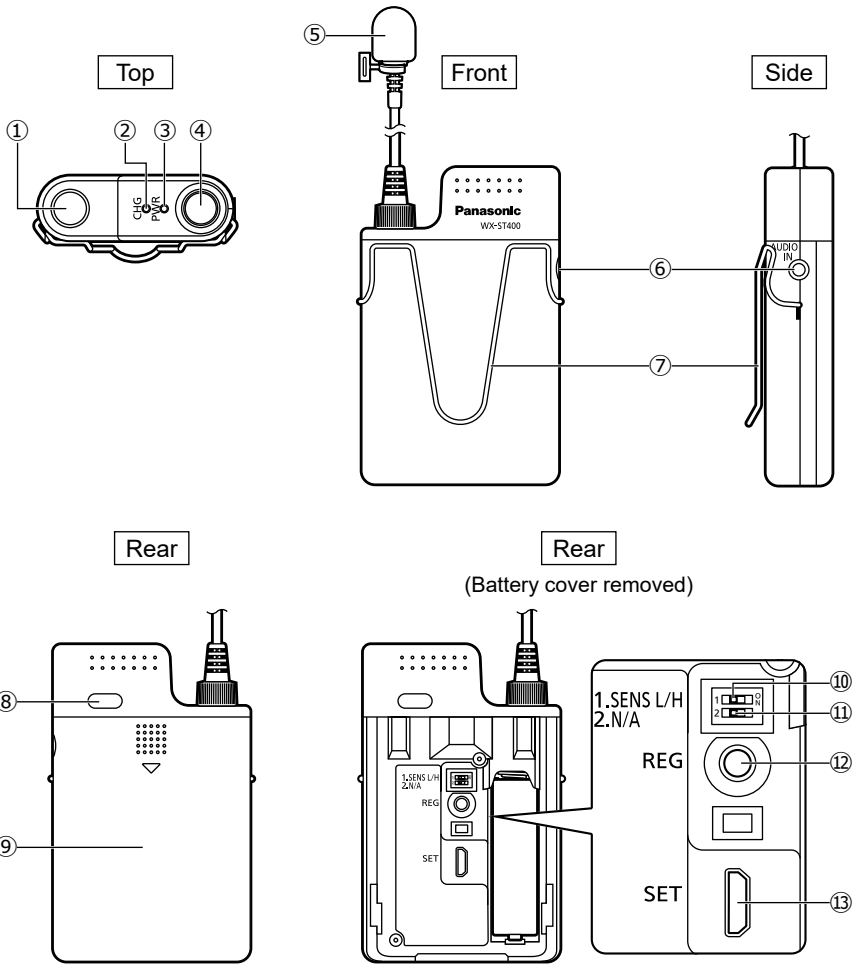
Maintenance

- Turn OFF the power and clean the product with a dry cloth.
- Do not use volatile chemicals such as benzene or paint thinner.
- When using chemically treated cloths, carefully read the included instructions.
- If the battery poles or the components behind the battery cover are dirty, clean them thoroughly with a dry, soft cloth. The components behind the battery cover get dirty very easily. Clean them periodically (around once per month) with ethyl alcohol. Do not use solvents such as benzene or paint thinner, or abrasive metal polishes, as they will damage the shape and color of the product and cause its coating to peel.
- If the surface of the product is particularly dirty, dilute mild detergent with water, then soak a soft cloth with it. Squeeze the cloth to remove excess moisture and use it to clean the product. After having cleaned the product, use a soft dry cloth to remove any residues of the detergent.

Proper use

- Preventing noise
When inserting, removing, or replacing batteries, very loud noise may occur. To avoid this, only insert, remove, or replace the batteries after having turned the product OFF and having lowered the volume in the power amplifier, mixer, etc.
- Preventing popping noise
Use the included windscreen (already attached to the microphone unit) to alleviate popping noises (the noise of air hitting the microphone) during speech.

Parts and their names



① Microphone connector

The connector into which the microphone is plugged.

② Charge indicator [CHG] (red)

Shows the charge status.

On: Charging

Off: Charging complete or the microphone is not set correctly on the charger.



- If the charger cannot directly contact the microphone because of an obstruction, the [CHG] indicator will remain off and the [ERROR] indicator on the charger will either light up or blink. In that case, remove any foreign matter that is obstructing the connection and re-insert the microphone into the charger.

Blinking: Charging error

- The microphone may contain a dry-cell or deteriorated rechargeable battery, or the battery may be absent. Make sure that the proper type of battery is inserted.
- The battery may be outside of the operating temperature range. Make sure that the battery is within the operating temperature range.

③ Power indicator [PWR]

Shows the battery status.

On (green): Power ON

On (orange): Power ON (less than one hour of battery runtime remaining)

On (red): Battery almost depleted (recharge or exchange the battery)

Off: Power OFF

Blinking (green): There is either another microphone turned ON and registered on the same channel, or the connection is otherwise close to being lost.

Blinking (orange): No signal (outside of the connection area between microphone and antenna)
Pairing mode

Blinking (red): Microphone unpaired or failed to pair with a receiver
● See "Pairing" (page 20).

Alternately blinking (orange/green) :
Confirming pairing

Parts and their names



- The indication of the remaining battery level will change according to the battery type (either alkaline dry-cell or Ni-MH) selected through the microphone battery setting switch on the wireless receiver.
 - Setting the battery type switch to the wrong position will not interfere with the operation of the microphone, but it may result in the orange and red indicators lighting up for too long or too short, displaying an incorrect reading of the remaining battery level.
 - The microphone battery type setting on the wireless receiver applies to all microphones paired with it, and cannot be changed individually. Refer to the wireless receiver manual for further details.
-

④ Power switch

Turns the microphone ON/OFF.

Pressing the power switch will turn the microphone ON, and audio from the microphone unit will be transmitted.

Pressing the power switch again while the microphone is ON will turn the microphone OFF.

⑤ Microphone unit

Collects audio.

A windscreen is attached to the microphone unit.

- The windscreen is an expendable component which deteriorates with use. Refer to a retailer for replacement.

⑥ External input connector [AUDIO IN]

Transmits the audio from the external device to the receiver (page 29).

When an external device is connected to this connector, audio from the microphone unit will not be transmitted to the receiver.

⑦ Hook

The attachment hook for the microphone. Used to attach the microphone to a belt or breast pocket.

⑧ Space to place stickers for microphone identification

Place the included microphone identification stickers here. Using the stickers makes it easier to identify microphones.

⑨ Battery cover

Slide the battery cover downwards while pressing on it to remove it.

⑩ Sensitivity setting switch [SENS L/H] (inside the battery cover)

Sets the sensitivity to audio from for the microphone unit (page 19).

[SENS L] : Low sensitivity (factory default)

[SENS H] : High sensitivity

⑪ **Unused**

⑫ **Pairing button [REG] (inside the battery cover)**

This button controls the pairing between the microphone and the receiver.

- Pairing: While the power switch is set to ON, keep the [REG] button pressed for more than two seconds to enter pairing mode (page 20).
- Pairing confirmation :

Press the [REG] button once while the power switch is set to ON to enter pairing confirmation mode (page 25). The pairing confirmation mode lasts for five seconds on both the microphone and the receiver, after which both will go back to their normal operation mode.

⑬ **Connector for configuration and maintenance [SET] (inside the battery cover)**

Micro USB 2.0 type B connector to connect the product to the wireless receiver.

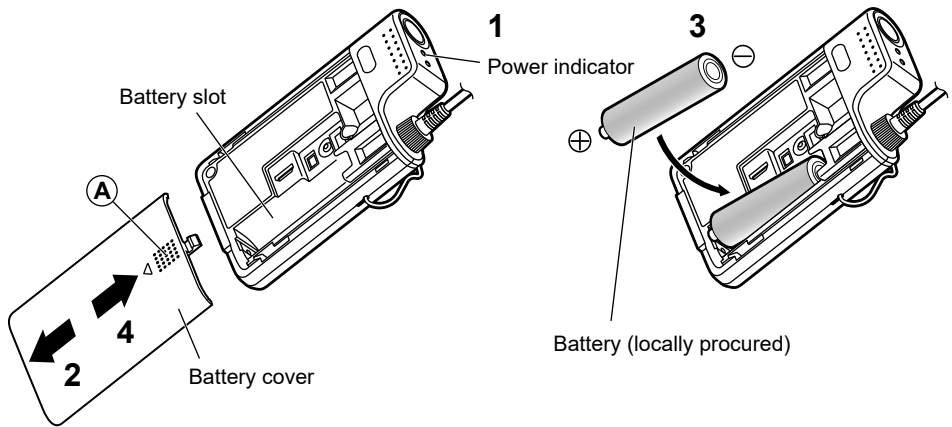
Connects through a USB 2.0 cable (micro type B male to type A male; locally procured) and a conversion cable (type A female to micro type B male; locally procured).

Inserting the battery

Carefully read the “Precautions” section and follow all of its instructions.
Switch the power to OFF before inserting the battery.
See “Replacing the battery” (page 30) for instructions on changing the battery.



- Do not touch the battery poles with your hands. Doing so may cause connection problems and noise. If the battery poles become dirty, clean them with a dry, soft cloth.



1 Make sure that the [PWR] indicator is off

2 Remove the battery cover

Press on the portion labeled as (A) on the back of the battery cover and slide the cover downwards to remove it.

3 Insert the battery

Check the polarity of the battery (positive ⊕ and negative ⊖), and insert either one rechargeable Ni-MH AA-type battery or one AA-type alkaline dry-cell battery in the battery slot according to the polarity indication (⊕, ⊖).

4 Place the battery cover back on

Slide the battery cover upwards to place it back on.

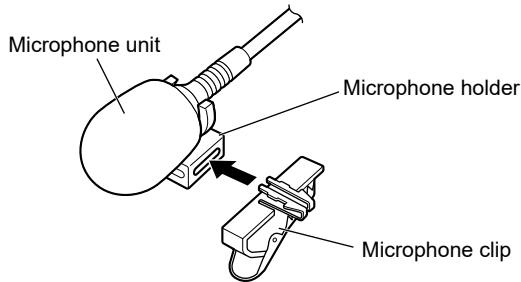


-
- When recharging Ni-MH batteries, only use the original charger (WX-SZ200P). The charging time depends on the battery type and the specific use situation, but at longest it will be around eight hours.
 - Some batteries may not perform well with this product. If possible, use one of the recommended batteries. The recommended batteries are as follows.
Rechargeable battery: BK-3MCCA Panasonic Ni-MH AA-size battery
Dry-cell batteries: LR6PA Panasonic alkaline AA-size battery
 LR6XE Panasonic alkaline AA-size battery
-

Microphone clip installation

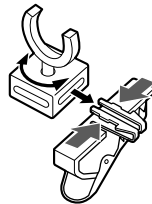
1 Attach the microphone clip

Attach the included microphone clip to the already attached microphone holder.



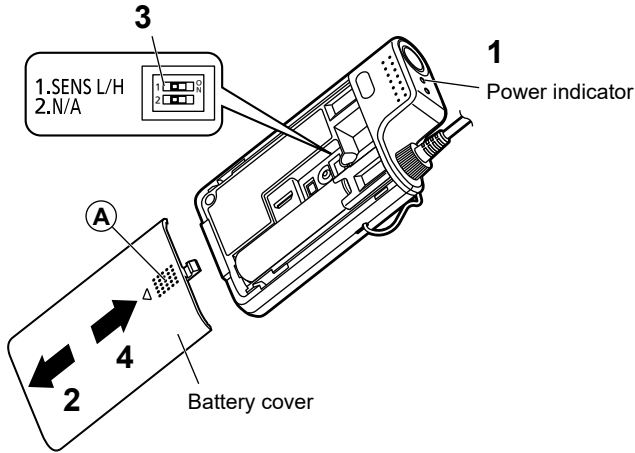
- **The microphone holder can be attached such as to fit different types of clothing.**

Pinch the microphone clip from both sides as shown in the illustration below to remove it from the microphone holder. Rotate the microphone holder as necessary and re-attach it to the microphone clip.



Setting the microphone sensitivity

Sets the sensitivity to audio collected by the microphone unit.



1 Make sure that the [PWR] indicator is off

2 Remove the battery cover

Press on the portion labeled as (A) on the back of the battery cover and slide the cover downwards to remove it.

3 Set the microphone sensitivity

Set the sensitivity setting switch. Use the tip of a pen, screwdriver, or other narrow pointed object to control the switch. The settings for the switch are as follows.

[SENS L]: Low sensitivity (factory default) 1

[SENS H]: High sensitivity 1

4 Place the battery cover back on

Slide the battery cover upwards to place it back on.



- Changing this setting while the microphone is turned ON could lead to noise. Turn down the volume on the power amplifier or mixer before changing this setting.



- Set the sensitivity to “Low” when the microphone unit is close to the mouth.
- Set the sensitivity to “High” when the microphone unit is far from the mouth or when the volume of voice is low.

Pairing

The microphone and the receiver must be paired to each other in order to establish a connection.

Perform pairing when using a microphone which has not yet been paired to the receiver or when a registration error occurs.

The maximum number of microphones which can be paired to a receiver and the maximum number of microphones which can be used simultaneously is as follows. When the maximum number of pairable microphones is exceeded, the newest microphone will overwrite the oldest one.

Receiver	Maximum number of pairable microphones	Maximum number of simultaneously usable microphones
WX-SR202P	6 per channel	2 (1 per channel)

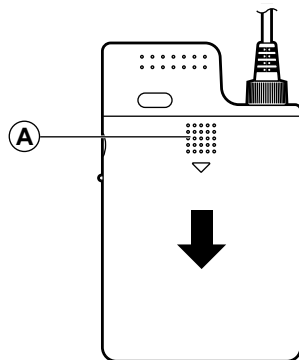
Also refer to the wireless receiver manual.

■ Pairing with the WX-SR202P (wireless connection)

Pair the microphone to a wireless antenna via a wireless connection. Perform the pairing within the connection range of the wireless antenna connected to the wireless receiver to which you want to pair the microphone.

1 Remove the battery cover

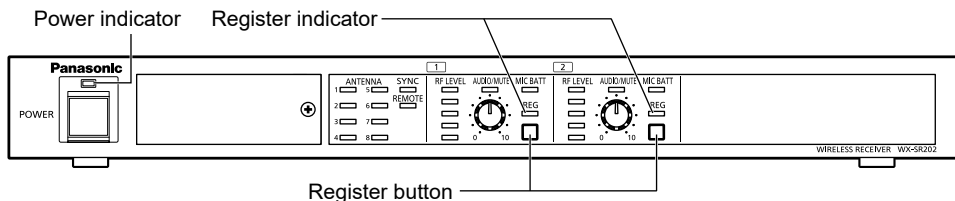
Press on the portion labeled as (A) on the back of the battery cover and slide the cover downwards to remove it.



2 Set the wireless receiver to pairing mode

Make sure that the [POWER] indicator on the wireless receiver lights green, then press for at least two seconds the [REG] button of the channel to which you want to pair a microphone.

When the wireless receiver is in pairing mode, the [REG] indicator of the channel whose [REG] button has been pressed will blink orange. Pairing mode lasts for 30 seconds, so pair the microphone within this time.

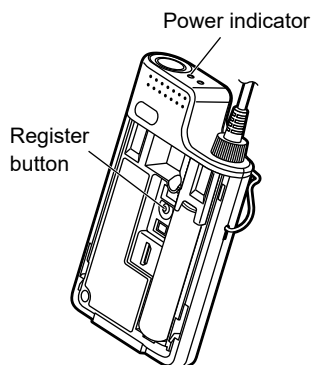


3 Pair the microphone

With the microphone powered on, keep the [REG] button pressed for at least two seconds to start pairing. (the [PWR] indicator will blink orange).

If pairing is completed successfully, the [PWR] indicator on the microphone will switch to the normal status according to the remaining battery level (green, orange, or red), and the [REG] indicator on the paired channel on the wireless receiver lights green for one second and then goes off.

- If pairing could not be completed successfully, the [PWR] indicator on the microphone will blink red. In that event, place the microphone as close as possible to the antenna and try pairing it again. (Pairing may fail if the microphone is too far away from the antenna or under bad connection conditions.)



4 Place the battery cover back on

Place the battery cover back onto the product.



- The [REG] button is invalid if the channel to which microphone is paired and if that microphone is in use. Turn the currently paired microphone power OFF, then you can pair a different microphone to the channel that is already in use.
- The wireless receiver cannot enter pairing mode on multiple channels simultaneously.
- When a channel on the wireless receiver is in pairing mode, all other channels can still be used as normal.

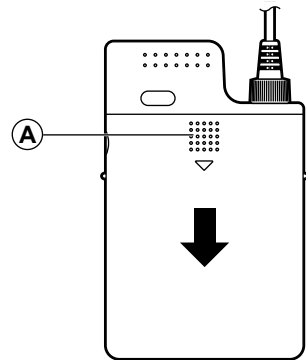
Pairing

■ Pairing with the WX-SR202P (wired connection)

Pair the microphone to a wireless receiver via a wired connection. The wired connection uses a USB 2.0 cable (micro type B male to type A male; locally procured) and a conversion cable (type A female to micro type B male; locally procured).

1 Remove the battery cover

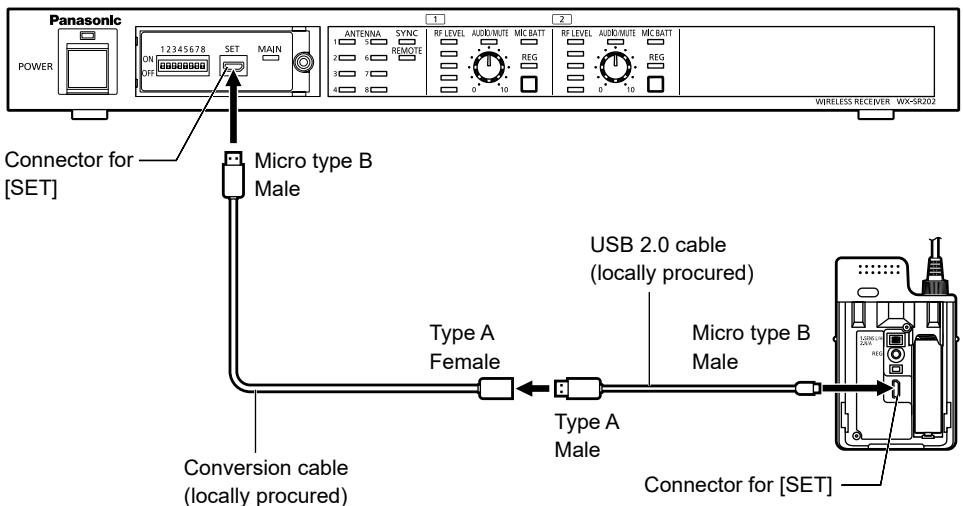
Press on the portion labeled as (A) on the back of the battery cover and slide the cover downwards to remove it.



2 Connect the microphone to the wireless receiver

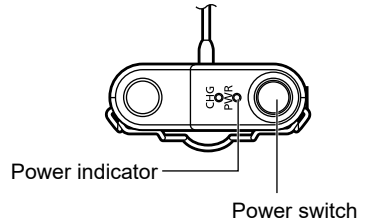
Connect the [SET] connector of the microphone to the [SET] connector of the wireless receiver via a USB 2.0 cable (micro type B male to type A male; locally procured) and a conversion cable (type A female to Micro type B male; locally procured).

When connecting the cables, make sure that the conversion cable is attached to the wireless receiver. If you connect the cables otherwise, you will not be able to pair the microphone.



3 Turn the microphone ON

If the microphone is currently OFF, turn the power switch to ON. When the microphone and the wireless receiver are connected via a cable, the audio from the microphone will not be transmitted.



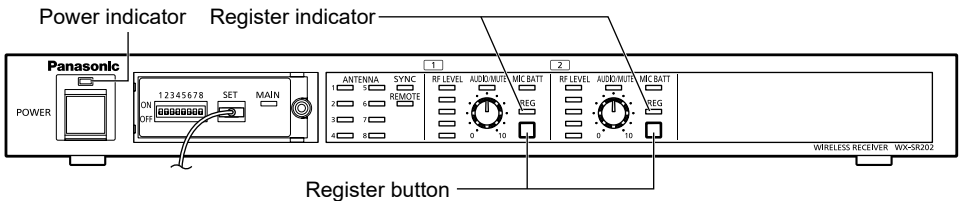
4 Pair the microphone to the wireless receiver

Make sure that the [POWER] indicator on the wireless receiver lights green, then press for at least two seconds the [REG] button of the channel to which you want to pair a microphone. Both the microphone and the wireless receiver will enter pairing mode and pairing will start.

During pairing mode, the [PWR] indicator on the microphone and the [REG] indicator of the channel whose [REG] button has been pressed on the wireless receiver will blink orange.

If pairing is completed successfully, the [PWR] indicator on the microphone will switch to the normal status according to the remaining battery level (green, orange, or red), and the [REG] indicator on the paired channel on the wireless receiver lights green for one second and goes off.

- If pairing could not be completed successfully, the [PWR] indicator on the microphone will blink red.



Pairing

5 Unplug the microphone from the wireless receiver

Unplug the cables connecting the microphone to the wireless receiver. If pairing has been completed successfully, the audio from the microphone is transmitted.

6 Place the battery cover back on

Place the battery cover back onto the product.

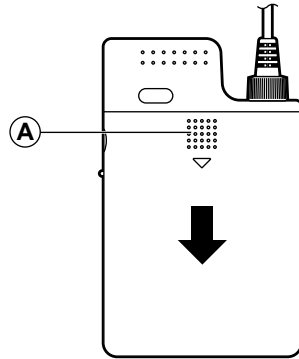


- The [REG] button is invalid if the channel to which microphone is paired and if that microphone is in use. Turn the currently paired microphone power OFF, then you can pair a different microphone to the channel that is already in use.
 - When a channel on the wireless receiver is in pairing mode, all other channels can still be used as normal.
 - Setting the microphone selection switch is optional.
-

Confirming pairing

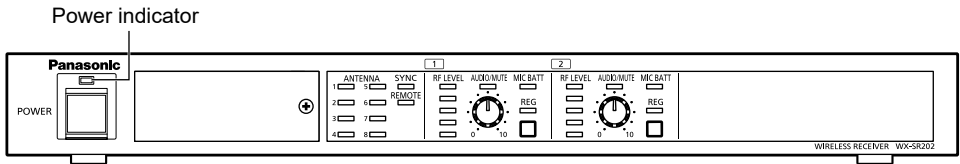
1 Remove the battery cover

Press on the portion labeled as (A) on the back of the battery cover and slide the cover downwards to remove it.



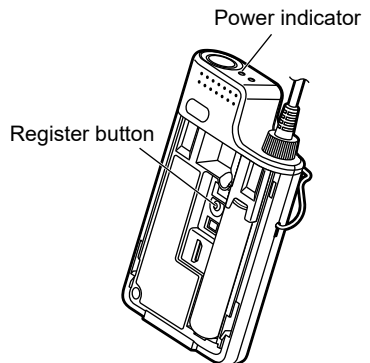
2 Make sure the wireless receiver is turned ON

Make sure that the [POWER] indicator on the wireless receiver lights green.



3 Set the microphone to pairing confirmation mode

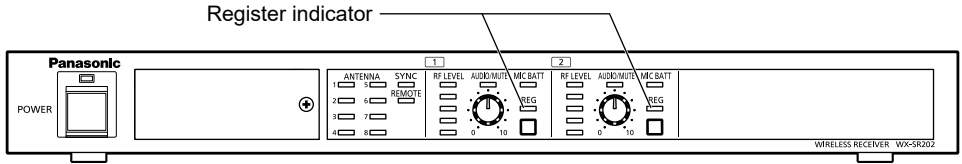
With the microphone powered on, press the [REG] button once to enter pairing confirmation mode (the [PWR] indicator will turn green and orange alternately for five seconds).



Confirming pairing

4 Check the [REG] indicator on the receiver

While the microphone is in pairing confirmation mode, the [REG] indicator of the paired channel on the wireless receiver will turn green and orange alternately. This allows to confirm the pairing. The pairing confirmation mode lasts for five seconds, after which the devices will go back to their normal operation mode. Press the [REG] button once during pairing confirmation mode to go back to the normal operation mode.



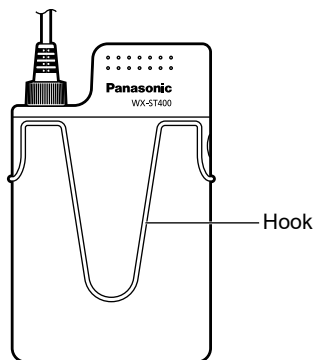
- If the [PWR] indicator on the microphone blinks red, the microphone is not paired to a wireless receiver. Perform the steps described in “Pairing” (page 20).
- The pairing confirmation can also be performed from the wireless receiver.
- The microphone audio will be kept on transmitting during pairing confirmation.
- Also refer to the wireless receiver manual.

Attaching the microphone

Turn the microphone OFF before attaching it or adjusting its position.

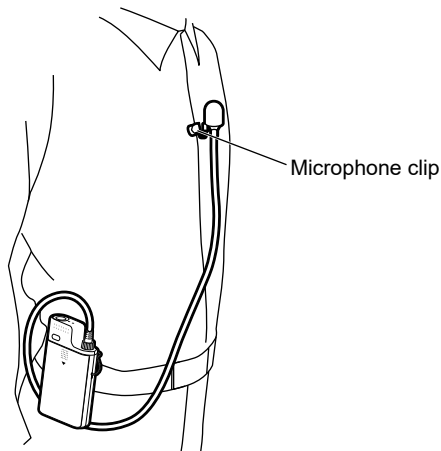
1 Attach to the belt

Attach the hook on the front of the microphone to the belt.



2 Attach the microphone with the microphone clip

Use the included microphone clip to attach the microphone unit to a necktie or collar. Attach it as close as possible to the mouth to ensure the best audio clarity.

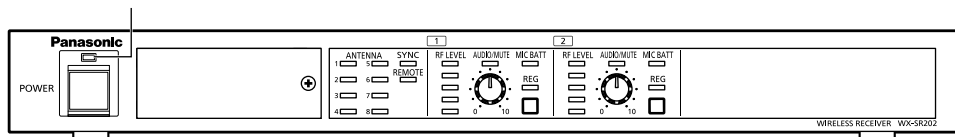


Using the microphone

1 Make sure that the receiver is turned ON

Make sure that the [POWER] indicator on the wireless receiver lights green.

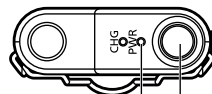
Power indicator



2 Press the power switch on the microphone to turn it ON.

The [PWR] indicator on the microphone lights up.

When the microphone is turned ON, the audio collected by the microphone unit is transmitted.



Power indicator

Power switch



- If the [PWR] indicator on the microphone blinks red, the microphone is not paired to a wireless receiver. Perform the steps described in “Pairing” (page 20).

- After use, return the power switch on the microphone to the OFF position. Press the power switch once more to turn the microphone OFF. The [PWR] indicator goes off.



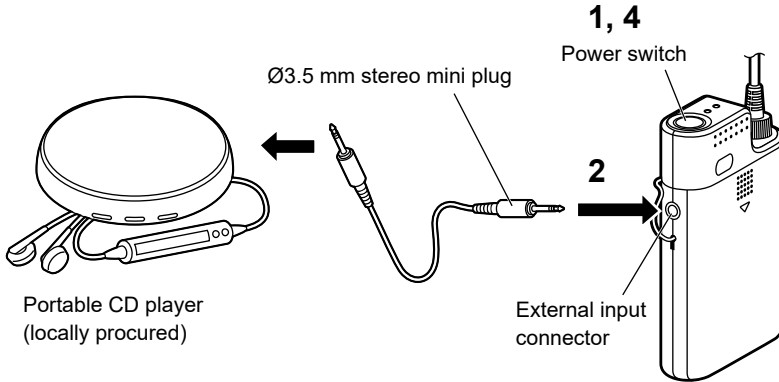
- Do not place the microphone near the speakers. Doing so may cause howling and other loud noises which may cause injuries to the ears.



- If the microphone moves out of the antenna range, the [PWR] indicator blinks orange and the microphone stops audio transmission. Move the microphone back into the antenna range to resume transmission. Refer to the wireless receiver manual for specifics on the wireless transmission range.
- Keep a distance of at least 50 cm (19-5/8 inch) between this microphone and other wireless microphones. Placing multiple microphones within 50 cm (19-5/8 inch) of each other may cause transmission lag, audio dropouts, and noise.

Connecting an external device

Connect an external device (eg: portable CD player) to the [AUDIO IN] connector of the microphone to input the audio output from the device to the receiver.



1 Turn OFF the microphone and the external device

2 Connect the external device

Use a Ø3.5 mm stereo mini plug to connect the audio output from the external device (eg: portable CD player) to the [AUDIO IN] connector.

3 Turn ON the external device (eg: portable CD player)

4 Turn ON the microphone



- When a Ø3.5 mm stereo mini plug is connected to the [AUDIO IN] connector, this audio source is given priority and the audio from the microphone unit stops transmission.
- If the external device outputs stereo audio, the L/R channels will be mixed.
- Also refer to the manual of the external device you are connecting to the microphone.

Replacing the battery

Carefully read the “Precautions” section and follow all of its instructions.

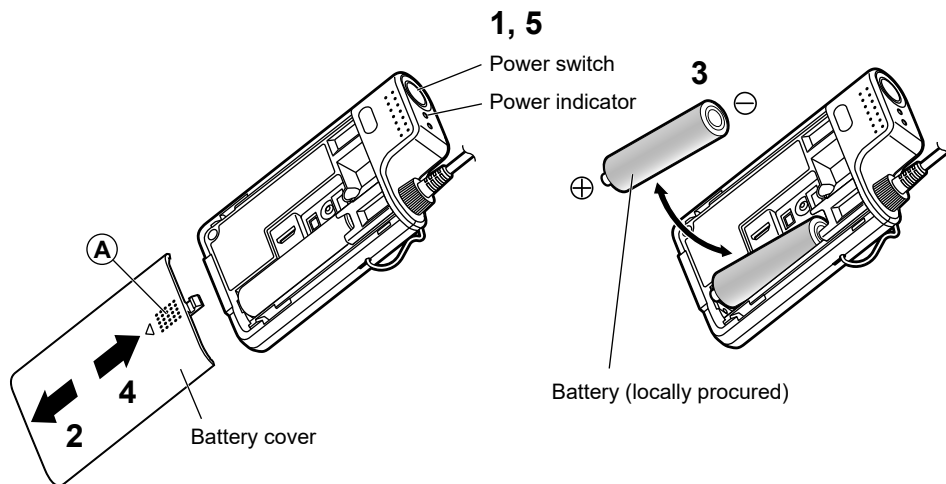
Turn the microphone OFF before replacing the battery.

In the following cases, the dry-cell battery is depleted or remaining capacity of the rechargeable battery is insufficient. Replace the dry-cell battery with new one or recharge the rechargeable battery.

- The [PWR] indicator lights red
- The [PWR] indicator does not light up



- Do not touch the battery poles with your hands. Doing so may cause connection problems or noise. If the battery poles become dirty, clean them with a dry, soft cloth.
- Even when the power is turned OFF, battery left inside the product will slowly be drained. Remove the battery when you are not using the microphone for an extended period of time, as failing to do so may cause battery leaks.



1 Make sure that the [PWR] indicator is off

2 Remove the battery cover

Press on the portion labeled as Ⓐ on the back of the battery cover and slide the cover downwards to remove it.

3 Replace the battery

When removing battery, take them out from the positive \oplus pole.

Check the polarity of the battery (positive \oplus and negative \ominus), and insert either one rechargeable Ni-MH AA-type battery or one AA-type alkaline dry-cell battery in the battery slot according to the polarity indication (\oplus , \ominus).

4 Place the battery cover back on

Slide the battery cover upwards to place it back on.

5 Check the power indicator

Press the power switch to turn the microphone ON and check that the [PWR] indicator lights either green or orange.

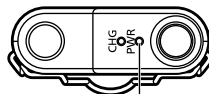


- When recharging Ni-MH batteries, only use the original charger (WX-SZ200P). The charging time depends on the battery type and the specific use situation, but at longest it will be around eight hours.
- Some batteries may not perform well with this product. If possible, use one of the recommended batteries. The recommended batteries are as follows.
Rechargeable battery: BK-3MCCA Panasonic Ni-MH AA-size battery
Dry-cell batteries: LR6PA Panasonic alkaline AA-size battery
LR6XE Panasonic alkaline AA-size battery

Recharging the battery

1 Turn OFF the microphone

Check that the [PWR] indicator is off.



Power indicator

2 Insert the microphone into the charger (WX-SZ200P)

Check that the [POWER] indicator in the charger lights up, and place the microphone inside the charger.

When the microphone is inserted into the charger, the [CHG] indicator (red) of the microphone will show the charging status as follows:

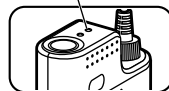
On: Charging

Off: Charging complete or the microphone is not set correctly on the charger.

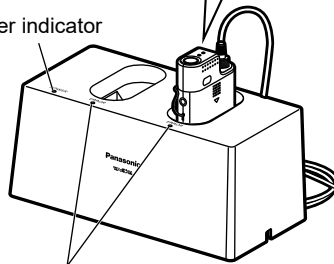
Blinking: Usually caused by one of the following.

- The microphone may contain a dry-cell or deteriorated rechargeable battery, or the battery may be absent. Make sure that the proper type of battery is inserted.
- The rechargeable battery may be outside of its operating temperature range. Make sure that the battery is within its operating temperature range.

Charge indicator



Power indicator



Charge error indicator

**Important**

- Only use the original (WX-SZ200P) charger. Also refer to the charger manual.
- The microphone cannot be used while in charging.
- The microphone will not be charged if it is not properly inserted into the charger.
- If the charger cannot directly contact the microphone because of an obstruction, the [CHG] indicator will remain off and the [ERROR] indicator on the charger will either light up or blink. Failing to remove the obstruction may cause overheating. Remove any foreign matter which may be causing the obstruction.
- Set the power switch on the microphone to OFF while charging. Even when you insert the microphone into the charger with the power switch in ON position, the microphone is automatically turned OFF and the battery will be charged. However, in such event, you still need to move the power switch to the OFF position. (This is because the battery power will be slightly consumed after charging when the switch is in ON position.)
- Hold the charger with your hand when removing a microphone from it.



- If, once charging is complete, the battery in the microphone spontaneously drains, charging will not start again even if the microphone is still inserted into the charger.
- If the [CHG] indicator does not light up despite the microphone being inserted into the charger, confirm that all the links between charger, AC adapter, power cable, and electric plug are securely connected.
- The charging time depends on the battery type and the specific use situation, but at longest it will be around eight hours.
- Charging the batteries outside of their operating temperature range may substantially increase the amount of time required for charging. Even if the batteries are within their operating temperature range, charging while the microphone is very hot or cold may increase the amount of time required for charging.
- Both the microphone and the charger normally become hot during charging. This is not due to a malfunction.
- Do not try to charge already full batteries. Doing so will reduce the lifespan of the batteries.

Recharging the battery



- Some kinds of batteries may not be fully recharged in just one cycle and the runtime becomes small. This happens to the batteries which are being used for the first time, batteries which have not been used for a long (more than three months) time, and batteries which have been recharged and depleted numerous times. This phenomenon is characteristic of the rechargeable batteries. The battery runtime may be recovered to the normal level by completely charging and then depleting (by using the microphone) the batteries two or three times.
 - The charger automatically recognizes the dry-cell battery inside the microphone to cancel charging, and then the [CHG] indicator will blink. However, depending on the type of dry-cell battery, this automatic recognition may take some time and the [CHG] indicator stay lit until the recognition completes.
 - Sometimes, when trying to recharge almost-full batteries at very low temperatures, these may be mistakenly recognized as dry-cell batteries, and the [CHG] indicator may start blinking.
 - The microphone is charged through inductive charging. Because of inductive charging regulations, the [PWR] indicator on the microphone may go off multiple times just before charging is completed, but this does not indicate a malfunction.
 - Sometimes, when trying to charge almost-empty batteries, these may be mistakenly recognized as dry-cell batteries, stopping the charging and making the [CHG] indicator start blinking. If this happens, remove the microphone from the charger and re-insert it multiple times until the batteries are properly recognized. If the batteries cannot be recharged despite multiple attempts, it means that they are completely exhausted and need to be replaced.
-

Troubleshooting

Please check the common problems listed in this table before seeking professional help.

If none of the tips provided here help, if you are dealing with a problem not listed here, or if you are otherwise uncertain, contact your retailer for more information.

Phenomenon	Cause/measure	Reference page
The product does not turn ON	<ul style="list-style-type: none"> ● Have you inserted the dry-cell battery or the rechargeable battery? <ul style="list-style-type: none"> ➔ Make sure that the battery is inserted. 	16
	<ul style="list-style-type: none"> ● Is the microphone currently inserted into the charger? <ul style="list-style-type: none"> ➔ Even if the [CHG] indicator does not light up, the microphone cannot be turned ON as long as it is inserted into the charger. Take the microphone out of the charger and then turn it ON. 	32
	<ul style="list-style-type: none"> ● Is the battery depleted? <ul style="list-style-type: none"> ➔ If it is, replace it (if it is the dry-cell battery) or charge it (if it is the rechargeable battery). 	30, 32
	<ul style="list-style-type: none"> ● Is the battery inserted according to the correct polarities? (Positive ⊕, negative ⊖) <ul style="list-style-type: none"> ➔ Make sure that the battery is inserted correctly. 	16, 30
The [PWR] indicator blinks red and I cannot use the microphone	<ul style="list-style-type: none"> ● The microphone is not paired. Alternatively, there could have been an error during the pairing process due to a bad connection. <ul style="list-style-type: none"> ➔ Place the microphone as close as possible to the antenna and try pairing it again. 	20
The [PWR] indicator blinks orange and I cannot use the microphone	<ul style="list-style-type: none"> ● The microphone may be outside of the antenna range, and it cannot establish a connection. <ul style="list-style-type: none"> ➔ Move the microphone inside the antenna range. 	13
	<ul style="list-style-type: none"> ● Is the receiver turned ON? <ul style="list-style-type: none"> ➔ Make sure that the receiver is powered. 	28

Troubleshooting

Phenomenon	Cause/measure	Reference page
The [PWR] indicator blinks green and I cannot use the microphone	<ul style="list-style-type: none"> ● You cannot use the microphone because there is another active microphone paired to the same channel. <ul style="list-style-type: none"> ➔ Stop using the other microphone paired to the same channel. 	13
	<ul style="list-style-type: none"> ● The microphone may be almost outside of the antenna range. <ul style="list-style-type: none"> ➔ Move the microphone inside the antenna range. 	13
Audio from the microphone unit is not transmitted	<ul style="list-style-type: none"> ● Is an external device connected to the [AUDIO IN] connector? <ul style="list-style-type: none"> ➔ When an external device is connected, even if it is turned OFF, it will take precedence over the microphone unit, which will stop audio transmission from the microphone unit. Disconnect the plug from the [AUDIO IN] connector. 	29
	<ul style="list-style-type: none"> ● Is the volume on the receiver, connected amplifier, etc. high enough? <ul style="list-style-type: none"> ➔ Adjust the volume with the volume adjustment knob. 	—
I cannot charge the microphone (The [CHG] indicator stays off)	<ul style="list-style-type: none"> ● Is the microphone properly inserted into the charger? <ul style="list-style-type: none"> ➔ Make sure that the microphone is properly inserted into the charger. 	32
I cannot charge the microphone (The [CHG] indicator only stays on for a few minutes)	<ul style="list-style-type: none"> ● Is the battery already charged? <ul style="list-style-type: none"> ➔ The battery may already be fully charged. Take the microphone out of the charger and use it as normal. 	32

Phenomenon	Cause/measure	Reference page
<p>I cannot charge the microphone (The [CHG] indicator blinks)</p>	<ul style="list-style-type: none"> ● The battery inside the microphone may be dry-cell battery or deteriorated rechargeable battery. <ul style="list-style-type: none"> ➔ Make sure that the proper type of battery is inserted. 	32
	<ul style="list-style-type: none"> ● Almost empty rechargeable battery may be incorrectly detected as dry-cell battery. <ul style="list-style-type: none"> ➔ Remove the microphone from the charger and insert it back in multiple times until the battery is properly recognized. 	34
	<ul style="list-style-type: none"> ● Is the battery extremely hot? <ul style="list-style-type: none"> ➔ Check the battery temperature. 	32
	<ul style="list-style-type: none"> ● Have you inserted the rechargeable battery? <ul style="list-style-type: none"> ➔ Make sure that you have inserted the rechargeable battery. 	16
	<ul style="list-style-type: none"> ● Is the battery inserted according to the correct polarities? (Positive ⊕, negative ⊖) <ul style="list-style-type: none"> ➔ Make sure that the battery is inserted correctly. 	16, 30
<p>The battery runtime is short despite being fully charged</p>	<ul style="list-style-type: none"> ● Is the battery you are using deteriorated, for example because of extensive use? <ul style="list-style-type: none"> ➔ Deteriorated battery may hold less charge, may be unable to power ON the microphone, and cause other problems. Replace them with new rechargeable battery. 	30

Specifications

Wireless	Used frequencies 1921.536 MHz to 1928.448 MHz	
	Antenna	Internal antenna
Microphone type	Tie pin	Unidirectional electret condenser microphone
Frequency response	100 Hz to 15 kHz	
External input connector	-14 dBV line-in Ø3.5 mm stereo mini jack (Monaural mix)	
Connector for [SET]	USB micro type B	
Battery type	Rechargeable battery: Ni-MH AA-size battery × 1 Dry-cell battery: alkaline AA-size battery × 1	
Battery runtime (Assuming continuous use at a 25 °C (77 °F) temperature with Panasonic batteries)	Approx. 8 hours (Ni-MH AA-size battery BK-3MCCA) Approx. 6 hours (Alkaline AA-size battery LR6PA) Approx. 8 hours (Alkaline AA-size battery LR6XE)	
Display (indicators)	Power, Charge	
Operating temperature range	5 °C to 35 °C (41 °F to 95 °F)	
Operating humidity range	10 % to 90 % (no condensation)	
Dimensions	Transmitter: 60 mm (W) x 97 mm (H) x 20 mm (D) (2-3/8 inches x 3-13/16 inches x 13/16 inches) Microphone unit: Maximum diameter: 13 mm (1/2 inches), Length: 22 mm (7/8 inches), Length of the transmitter-microphone unit cable: 1000 mm (39-3/8 inches)	
Mass	Transmitter:	Approx. 95 g (0.2 lb) (including LR6PA alkaline battery)
	Microphone unit:	Approx. 20 g (0.04 lb)
Finish	Black finish	

Standard accessories

Operating Instructions (this booklet).....	1
Warranty Card	1
Microphone clip	1
Microphone holder (pre-attached)	1
Windscreen (pre-attached).....	1
Microphone identification sticker	1

Précautions de sécurité

AVERTISSEMENT :

- Pour éviter les risques d'incendie et ou de choc électrique, n'exposez pas l'appareil à la pluie ou à l'humidité.
- L'appareil ne doit pas recevoir de gouttes ou être aspergé et, des objets remplis de liquide, tels que des vases, ne doivent pas être posés sur l'appareil.
- Les piles (le bloc-pile ou les piles insérées) ne doivent pas être exposées à une chaleur excessive telle que celle du soleil ou d'un feu.
- Le fonctionnement à proximité d'appareils électriques 1,9 GHz risque de provoquer des interférences. Éloigner le dispositif des appareils électriques.
- Ce dispositif est conforme à la partie 15 de la réglementation de la FCC et aux normes RSS exemptes de licence de l'Innovation, Sciences et Développement économique Canada. Le fonctionnement est soumis aux deux conditions suivantes : (1) Ce dispositif ne doit pas causer d'interférences nuisibles, et (2) ce dispositif doit accepter toute interférence reçue, y compris les interférences qui peuvent causer un fonctionnement non désiré.
- Cet émetteur ne doit pas être installé ou utilisé conjointement avec une autre antenne ou un autre émetteur.
- **MÉDICAL :**
Consultez le fabricant des dispositifs médicaux personnels, tels que les stimulateurs cardiaques, pour déterminer s'ils sont correctement protégés de l'énergie dégagée par les fréquences radio (RF) externes. (L'appareil utilise une plage de fréquences de 1,92 GHz à 1,93 GHz et le niveau de puissance électrique est de 115 mW (max.)

— Pour les États-Unis —

Déclaration de conformité
du fournisseur

Nom commercial :

Panasonic

N° de modèle : WX-ST400P

Partie responsable :

Panasonic Corporation of North America
Two Riverfront Plaza, Newark, NJ
07102-5490

Contact de support technique :

1-800-491-9986

wirelessmicsupport@us.panasonic.com



— Pour les États-Unis —

Mise en garde de la FCC :

Tout changement ou modification non expressément approuvé par la partie responsable de la conformité pourrait annuler le droit de l'utilisateur d'utiliser l'équipement.

Une pile au nickel hydrure métallique recyclable alimente le produit acheté.

Pour des renseignements sur le recyclage de la pile, veuillez composer le 1-800-8-BATTERY.



Pour les États-Unis

REMARQUE : Cet équipement a été testé et déclaré conforme aux limites d'un dispositif numérique de classe A, conformément à la partie 15 des règlements de la FCC. Ces limites sont conçues pour fournir une protection raisonnable contre les interférences nuisibles lorsque l'équipement est utilisé dans un environnement commercial. Cet équipement génère, utilise et peut émettre de l'énergie de radiofréquence et, s'il n'est pas installé et utilisé conformément au manuel d'instructions, peut causer des interférences nuisibles aux communications radio. L'utilisation de cet équipement dans une zone résidentielle est susceptible de causer des interférences nuisibles, auquel cas l'utilisateur devra corriger les interférences à ses propres frais.

Pour les États-Unis

Le numéro de modèle et le numéro de série de ce produit se trouvent sur la surface de l'appareil.

Vous devez noter le numéro de modèle et le numéro de série de cet appareil dans l'espace prévu à cet effet et conserver cette notice comme preuve d'achat afin de pouvoir faciliter l'identification en cas de vol.

N° de modèle _____

N° de série _____

Pour les États-Unis

ATTENTION :

Le numéro d'identification de FCC de cet équipement radio figure ci-dessous.

ID de FCC : ACJ9TAWX-ST400P

Pour le Canada

CAN ICES-3(A)/NMB-3(A)

Précautions de sécurité

Pour le Canada.

RSS-Gen

- En vertu de la réglementation d'Industrie Canada, cet émetteur radio ne peut fonctionner qu'avec une antenne dont le type et le gain maximal (ou inférieur) sont approuvés pour l'émetteur par Industrie Canada. Pour réduire les interférences radio potentielles avec les autres utilisateurs, le type d'antenne et son gain doivent être sélectionnés de manière à ce que la puissance isotrope rayonnée équivalente (PIRE) ne dépasse pas celle requise pour une communication réussie.
- L'émetteur/récepteur exempt de licence contenu dans le présent appareil est conforme aux CNR d'Innovation, Sciences et Développement économique Canada applicables aux appareils radio exempts de licence. L'exploitation est autorisée aux deux conditions suivantes :
 1. L'appareil ne doit pas produire de brouillage;
 2. L'appareil doit accepter tout brouillage radioélectrique subi, même si le brouillage est susceptible d'en compromettre le fonctionnement.

IMPORTANTES CONSIGNES DE SÉCURITÉ

- 1) Lire ces instructions.
- 2) Conserver ces instructions.
- 3) Respecter ces instructions.
- 4) Suivre toutes les instructions.
- 5) Ne pas utiliser cet appareil près de l'eau.
- 6) Nettoyer avec un chiffon sec seulement.
- 7) Éloigner l'appareil de toute source de chaleur telle que radiateurs et autres éléments de chauffage (incluant les amplificateurs).
- 8) N'utiliser que les accessoires recommandés par le fabricant.
- 9) Ne placer l'appareil que dans une baie, un socle, un trépied, un support ou une table recommandé(e) par le fabricant ou vendu(e) avec l'appareil. Déplacer la baie ou le support avec le plus grand soin afin d'en éviter le renversement.
- 10) Confier toute réparation à un technicien qualifié. Faire réparer l'appareil si le cordon ou la fiche a été endommagé, si l'appareil a été mouillé, si un objet est tombé sur l'appareil, s'il a été exposé à la pluie ou à de l'humidité, s'il ne fonctionne pas normalement ou s'il est tombé.



S3125A

Aperçu du produit

Ce produit est un microphone sans fil à pince cravate.

- Il utilise un système basé sur la norme DECT 1,9 GHz* pour obtenir une connexion stable sur une large zone, ce qui permet d'obtenir un son clair avec peu d'interférences.
* DECT (Digital Enhanced Cordless Telecommunications) est une norme de communication numérique sans fil.
- Il est alimenté soit par une pile sèche type AA (à se procurer localement), soit par une pile Ni-MH rechargeable type AA (à se procurer localement).
- Le chargeur compatible (WX-SZ200P : vendu séparément) permet de recharger les piles Ni-MH rechargeables type AA tout en les laissant dans le microphone.

Limitation de responsabilité

CETTE PUBLICATION EST FOURNIE « EN L'ÉTAT » SANS GARANTIE D'AUCUNE SORTE, EXPRESSE OU IMPLICITE, Y COMPRIS, MAIS SANS S'Y LIMITER, LES GARANTIES IMPLICITES DE QUALITÉ MARCHANDE, D'ADAPTATION À UN USAGE PARTICULIER OU DE NON-VIOLATION DES DROITS DU TIERS. CETTE PUBLICATION PEUT CONTENIR DES INEXACTITUDES TECHNIQUES OU DES ERREURS TYPOGRAPHIQUES. DES MODIFICATIONS SONT AJOUTÉES AUX INFORMATIONS CONTENUES DANS LE PRÉSENT DOCUMENT, À TOUT MOMENT, EN VUE D'AMÉLIORER LA PRÉSENTE PUBLICATION ET/OU LE(S) PRODUIT(S) CORRESPONDANT(S).

Déni de la garantie

EN AUCUN CAS Panasonic Corporation NE SERA TENU POUR RESPONSABLE POUR TOUTE PARTIE OU TOUTE PERSONNE, À L'EXCEPTION DU REMPLACEMENT OU D'UNE MAINTENANCE RAISONNABLE DE CE PRODUIT POUR LES CAS CITÉS, INCLUS MAIS NON LIMITÉS À CE QUI SUIT :

- ① TOUT DOMMAGE OU PERTE, Y COMPRIS SANS LIMITATION, DIRECT OU INDIRECT, SPÉCIAL, IMPORTANT OU EXEMPLAIRE, SURVENANT À CAUSE DU OU CONCERNANT LE PRODUIT ;
- ② TOUT DÉSAGRÉMENT, PERTE OU DOMMAGE CAUSÉ PAR UN USAGE NON APPROPRIÉ OU UNE UTILISATION NÉGLIGENTE DE L'UTILISATEUR ;
- ③ TOUT DYSFONCTIONNEMENT OU PROBLÈME RÉSULTANT D'UN DÉMONTAGE, D'UNE RÉPARATION OU D'UNE MODIFICATION NON AUTORISÉS DU PRODUIT EFFECTUÉS PAR L'UTILISATEUR, QUELLE QUE SOIT LA CAUSE DUDIT DYSFONCTIONNEMENT OU PROBLÈME ;

Précautions de sécurité

- ④ TOUT PROBLÈME CAUSANT UNE DÉFAILLANCE DE LA TRANSMISSION DU SIGNAL ENTRAÎNANT DES INCONVÉNIENTS, DES PERTES OU DES DOMMAGES CONSÉCUTIFS, SURVENANT DE CAUSES TELLES QU'UN DYSFONCTIONNEMENT DU SYSTÈME, UN DÉFAUT, UNE CONFIGURATION OU UNE INSTALLATION.
- ⑤ TOUT PROBLÈME, DÉSAGRÉMENT CONSÉCUTIF OU PERTE OU DOMMAGE, SURVENANT DU SYSTÈME COMBINÉ AVEC DES DISPOSITIFS DE TIERS.
- ⑥ L'IMPOSSIBILITÉ D'UTILISER LE PRODUIT OU TOUT INCONVÉNIENT, PERTE OU DOMMAGE RÉSULTANT DE L'IMPOSSIBILITÉ D'UTILISER LE PRODUIT EN RAISON DES ONDES RADIO DIFFUSÉES PAR DES TIERS.

Droits d'auteur

La distribution, la copie, le démontage, la compilation inverse et l'ingénierie inverse du logiciel fourni avec ce produit sont tous expressément interdits. En outre, l'exportation de tout logiciel fourni avec ce produit en violation des lois d'exportation est interdite.

Abréviations

Ce manuel utilise les abréviations suivantes.

- “Ce produit”, “le produit” ou “microphone” désigne le “microphone sans fil (WX-ST400P)”.
- Le “chargeur” désigne le “chargeur (WX-SZ200P : vendu séparément)”.
- L’“antenne sans fil” ou l’“antenne” désigne l’“antenne sans fil (WX-SA250P : vendue séparément)”.
- Le “récepteur sans fil” ou le “récepteur” désigne le “récepteur sans fil (WX-SR202P : vendu séparément)”.

Toutes les informations sur les produits vendus séparément contenues dans ce manuel sont des mises à jour de juin 2019. Consultez un détaillant pour obtenir les renseignements les plus récents.

Table des matières

Précautions de sécurité	40
Aperçu du produit	43
Limitation de responsabilité	43
Déni de la garantie	43
Droits d'auteur	44
Abréviations	44
Précautions	46
Précautions d'utilisation	48
Nomenclature des pièces	50
Insertion de la pile	54
Installation de la pince du microphone	56
Réglage de la sensibilité du microphone	57
Appairage	58
Appairage avec le WX-SR202P (connexion sans fil)	58
Appairage avec le WX-SR202P (connexion filaire)	60
Confirmation de l'appairage	63
Fixation du microphone	65
Utilisation du microphone	66
Connexion d'un dispositif externe ...	67
Remplacement de la pile	68
Rechargement de la pile	70
Diagnostic des pannes	73
Spécifications	76
Accessoires standard	77

Précautions

Utiliser uniquement le chargeur d'origine

Le non-respect de cette consigne pourrait entraîner des fuites, une surchauffe et des explosions.

Recharger uniquement les piles Ni-MH rechargeables

Le non-respect de cette consigne pourrait entraîner des fuites, une surchauffe et un éclatement dans les piles.

Éteignez l'appareil HORS TENSION à bord d'un avion

Le non-respect de cette consigne pourrait entraîner des problèmes de sécurité pour l'aéronef.

Si le produit présente une anomalie, cesser immédiatement de l'utiliser

Si le produit présente des anomalies telles que de la fumée ou une odeur inhabituelle émanant du produit, ou si son enveloppe extérieure est endommagée, continuer à l'utiliser peut présenter des risques tels que l'incendie ou la chute du produit, entraînant des blessures pour les utilisateurs ou des dommages supplémentaires pour le produit lui-même.

- Retirez immédiatement les piles et contacter le détaillant.

Ne pas approcher le produit d'un équipement médical (ne pas l'amener dans les salles d'opération, les unités de soins intensifs, les unités de soins intensifs, les unités de soins d'urgence, etc.)

Les ondes radio émises par le produit peuvent interférer avec l'équipement médical et provoquer des dysfonctionnements et des accidents.

Ne pas utiliser à proximité de portes automatiques, d'alarmes d'incendie ou d'autres contrôleurs automatiques

Les ondes radio émises par le produit peuvent interférer avec les contrôleurs automatiques et provoquer des dysfonctionnements et des accidents.

Ne pas placer sur des surfaces instables

Le produit pourrait tomber et provoquer des accidents ou des blessures.

Ne pas charger, ouvrir ou court-circuiter les piles sèches

Le non-respect de cette consigne pourrait entraîner des fuites ou l'éclatement des piles, ce qui pourrait provoquer des incendies, des blessures et des brûlures.

Ne pas ouvrir ou court-circuiter les piles rechargeables

Le non-respect de cette consigne pourrait entraîner des fuites ou l'éclatement des piles, ce qui pourrait provoquer des incendies, des blessures et des brûlures.

Ne pas essayer de démonter ou de remodeler le produit

Cela pourrait provoquer un incendie ou un choc électrique.

Ne pas renverser de liquide

Cela pourrait provoquer un incendie ou un choc électrique.

- Éteindre le produit immédiatement et contacter le détaillant.

Ne pas effectuer d'entretien lorsque le produit est sous tension

Cela pourrait entraîner des blessures.

S'adresser à un professionnel pour l'élimination des déchets

Brûler le produit peut entraîner la combustion de produits chimiques nocifs causant des dommages aux yeux, et cela pourrait provoquer un risque d'incendie ou de brûlure.

Insérer les piles selon la polarité correcte (positif + / négatif -)

Le non-respect de cette consigne pourrait entraîner des fuites ou l'éclatement des piles, ce qui pourrait provoquer des incendies, des blessures et des dommages aux alentours.

Ne pas installer dans des endroits exposés à une grande quantité d'humidité et/ou de poussière

Cela pourrait entraîner des blessures.

Ne pas installer le produit à un endroit où les enfants pourraient l'atteindre

Cela pourrait entraîner des blessures.

Ne pas utiliser de piles Ni-Cd

Les dommages internes pourraient provoquer des incendies.

Précautions d'utilisation

En dehors de ce qui précède “**Précautions**”, assurez-vous de suivre les points ci-dessous.

Ce produit est destiné à une utilisation à l'intérieur uniquement

- Il ne peut pas être utilisé en extérieur.

Évitez d'exposer le produit à la lumière directe du soleil pendant de longues périodes et ne pas l'installer près d'un climatiseur ou d'un appareil de chauffage. Le non-respect de cette consigne pourrait endommager la forme et la couleur du produit et de provoquer un dysfonctionnement. Évitez également l'exposition aux gouttelettes et aux bulles d'eau.

Utiliser ce produit avec précaution

- Ce produit contient des composants délicats qui peuvent être endommagés par une utilisation ou un stockage inappropriés.
- Réparez ou remplacez tout composant endommagé.
- Soumettre le produit à des chocs violents, des gouttes, etc. peut altérer la syntonisation des réglages et modifier ses caractéristiques. Utilisez-le avec précaution. Évitez de heurter le produit, car cela provoquerait un fort bruit d'impact.
- Ne démontez pas le produit et ne touchez pas ses composants internes.

Plage de température de fonctionnement

- Entre 5 °C (41 °F) et 35 °C (95 °F). L'utilisation du produit en dehors de cette plage pourrait entraîner un dysfonctionnement ou l'endommager.
Lors du calcul de la durée d'utilisation, tenez compte du fait que les piles dureront moins longtemps que d'habitude en dessous de 10 °C (50 °F).

Emplacements de stockage et d'utilisation

- Évitez d'utiliser le produit dans un endroit où il pourrait être affecté par les moteurs, les transformateurs ou le bruit d'allumage des voitures.
- Soyez très prudent lorsque le produit est utilisé dans un endroit élevé. Il pourrait tomber et provoquer des dysfonctionnements et des blessures.
- N'utilisez pas le produit s'il y a un risque d'être endommagé par de l'eau de mer ou des gaz corrosifs.
- N'utilisez pas le produit à proximité d'un téléviseur, d'une radio, d'un ordinateur ou de tout autre appareil bureautique. Le non-respect de cette consigne pourrait entraîner une captation de bruit de la part du produit.
- N'utilisez pas le produit à proximité de récepteurs de radiodiffusion numérique CS (syntonisateurs, téléviseurs numériques avec syntonisateurs internes, enregistreurs, etc.). Le non-respect de cette consigne pourrait entraîner une détérioration des images de radiodiffusion numérique CS.
- Ne laissez pas le produit dans des endroits chauds, par exemple, près d'appareils diffusant de la chaleur (amplificateurs de puissance, moniteurs vidéo, instruments de mesure, etc.) ou de voitures fermées en été. Lors de l'entreposage du produit, tenez-le à l'abri de l'humidité autant que possible.

Piles

- Même lorsque l'appareil est hors tension, les piles restant à l'intérieur du produit s'épuisent lentement. Retirez les piles quand le produit n'est pas utilisé, car le non-respect de cette consigne pourrait provoquer des fuites de piles.
- N'utilisez pas et n'entreposez pas les piles dans des endroits chauds, tels que sous la lumière directe du soleil, à l'intérieur de voitures fermées pendant l'été, près de flammes nues, de poêles, etc.
- Ne touchez pas les pôles des piles ou les composants situés derrière le couvercle du compartiment des piles avec les mains sales. Ceci pourrait provoquer des problèmes de connexion ou du bruit.
- N'utilisez pas de piles détériorées ou ayant subi des courts-circuits internes. Le non-respect de cette consigne pourrait entraîner des fuites, une surchauffe et un éclatement dans les piles.

Interception

- Ce produit utilise un signal numérique difficile à intercepter, mais comme il utilise des ondes radio, cependant, il est possible qu'un tiers puisse intercepter délibérément la transmission du produit.

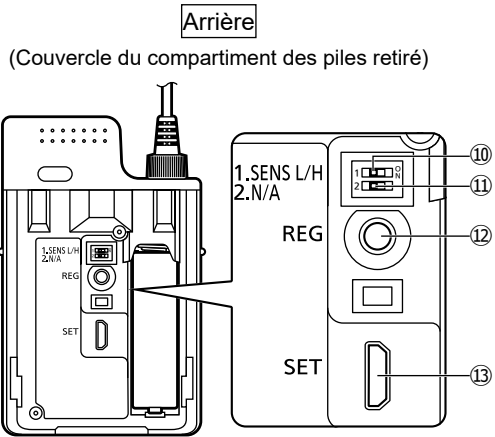
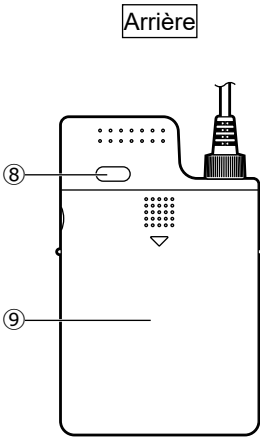
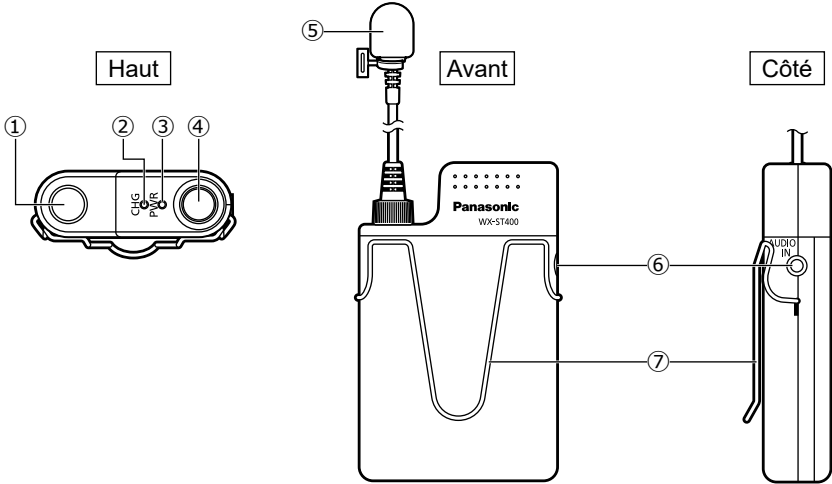
Maintenance

- Mettez hors tension et essuyez le produit avec un linge sec.
- N'utilisez pas de produits chimiques volatils comme le benzène ou le diluant à peinture.
- Lors de l'utilisation de chiffons traités chimiquement, lisez attentivement les instructions fournies.
- Si les pôles de la pile ou les composants derrière le couvercle du compartiment des piles sont sales, nettoyez-les avec précaution avec un chiffon doux et sec. Les composants derrière le couvercle du compartiment des piles se salissent très facilement. Nettoyez-les périodiquement (environ une fois par mois) avec de l'alcool éthylique. N'utilisez pas de solvants tels que le benzène ou le diluant à peinture, ni de produits abrasifs à polir les métaux, car ils pourraient endommager la forme et la couleur du produit et faire peler son revêtement.
- Si la surface du produit est particulièrement sale, diluez un détergent doux avec de l'eau, puis trempez-y un chiffon doux. Essorez le chiffon pour enlever l'excès d'humidité et utilisez-le pour nettoyer le produit. Après avoir nettoyé le produit, utilisez un chiffon doux et sec pour enlever tout résidu du détergent.

Utilisation conforme

- Prévention du bruit
Lors de l'insertion, du retrait ou du remplacement des piles, un bruit très fort peut se produire. Pour éviter cela, n'insérez pas, n'enlevez pas ou ne remplacez pas les piles qu'après avoir éteint le produit et avoir réduit le volume de l'amplificateur de puissance, du mélangeur, etc.
- Prévention de bruits de claquement
Utilisez la bonnette anti-vent fournie (déjà installée sur l'unité du microphone) pour réduire les bruits de claquement (le bruit produit quand l'air fouette le microphone) lorsque des personnes parlent.

Nomenclature des pièces



① Connecteur du microphone

Le connecteur auquel le microphone est branché.

② Voyant de charge [CHG] (rouge)

Indique l'état de charge.

Allumé : Chargement

Éteint : Le chargement est terminé ou le microphone n'est pas correctement réglé sur le chargeur.



- Si le chargeur ne peut pas entrer en contact directement le microphone à cause d'un obstacle, le voyant [CHG] reste éteint et le voyant [ERROR] du chargeur s'allume ou clignote. Dans ce cas, retirez tout corps étranger obstruant la connexion et réinsérez le microphone dans le chargeur.

Clignotant : Erreur de charge

- Le microphone peut contenir une pile sèche ou une pile rechargeable détériorée, ou la pile peut être absente. Assurez-vous que le type de pile approprié est inséré.
- La pile peut se trouver en dehors de la plage de température de fonctionnement. Assurez-vous que la pile se trouve dans la plage de température de fonctionnement.

③ Voyant d'alimentation [PWR]

Indique l'état de la pile.

Allumé (vert) : Sous tension

Allumé (orange) : Sous tension (moins d'une heure d'autonomie restante de la pile)

Allumé (rouge) : Pile presque épuisée (recharger ou remplacer la pile)

Éteint : Hors tension

Clignotant (vert) : Un autre microphone est soit allumé et enregistré sur le même canal, soit la connexion est sur le point d'être perdue.

Clignotant (orange) :

Pas de signal (à l'extérieur de la zone de connexion entre le microphone et l'antenne)

Mode appairage

Clignotant (rouge) :

Le microphone n'est pas jumelé ou n'a pas réussi à se jumeler avec un récepteur

- Voir "Appairage" (page 58).

Clignotant alternativement (orange/vert) :

Confirmation de l'appairage

Nomenclature des pièces



- L'indication du niveau de pile restant change en fonction du type de pile (alcaline sèche ou Ni-MH) sélectionné par l'interrupteur de réglage de la pile du microphone du récepteur sans fil.
 - Régler l'interrupteur de type de pile sur la mauvaise position n'interférera pas avec le fonctionnement du microphone, mais cela peut avoir pour conséquence que les voyants orange et rouge s'allument trop longtemps ou trop brièvement, affichant une lecture erronée du niveau de pile restant.
 - Le réglage du type de pile du microphone sur le récepteur sans fil s'applique à tous les microphones qui lui sont associés et ne peut pas être modifié individuellement.
- Reportez-vous au manuel du récepteur sans fil pour plus de détails.

④ Interrupteur d'alimentation

Allumer/Éteindre le microphone.

Le microphone se met en marche lorsque vous appuyez sur l'interrupteur d'alimentation et l'audio de l'unité du microphone est transmis.

Si vous appuyez à nouveau sur l'interrupteur d'alimentation alors que le microphone fonctionne, il s'arrête.

⑤ Unité de microphone

Recueille l'audio.

Une bonnette anti-vent est fixée à l'unité du microphone.

- Cette bonnette anti-vent est un accessoire consommable se détériorant à l'usage. Consultez un détaillant pour la remplacer.

⑥ Connecteur d'entrée externe [AUDIO IN]

Transmet l'audio du dispositif externe au récepteur (page 67).

Quand un dispositif externe est connecté à ce connecteur, l'audio de l'unité du microphone ne sera pas transmis au récepteur.

⑦ Crochet

Le crochet permettant de fixer le microphone. Il sert à fixer le microphone sur une ceinture ou une poche de chemise.

⑧ Espace pour placer des autocollants pour l'identification du microphone

Placez ici les autocollants d'identification du microphone inclus. L'utilisation des autocollants facilite l'identification des microphones.

⑨ Couvercle du compartiment des piles

Faites glisser le couvercle du compartiment des piles vers le bas tout en appuyant dessus pour le retirer.

⑩ Interrupteur de réglage de la sensibilité [SENS L/H] (à l'intérieur du compartiment des piles)

Règle la sensibilité de l'audio de l'unité du microphone (page 57).

[SENS L] : faible sensibilité (réglage par défaut)

[SENS H] : haute sensibilité

⑪ Non utilisée

⑫ Bouton d'appairage [REG] (à l'intérieur du couvercle du compartiment des piles)

Ce bouton contrôle l'appairage entre le microphone et le récepteur.

- Appairage : Pendant que l'interrupteur d'alimentation est réglé sur ON, maintenez le bouton [REG] pressé pendant plus de deux secondes pour accéder au mode appairage (page 58).
- Confirmation de l'appairage : Appuyez une fois sur le bouton [REG] lorsque l'interrupteur d'alimentation est réglé sur ON pour accéder en mode de confirmation de couplage (page 63). Le mode de confirmation d'appairage dure cinq secondes sur le microphone et le récepteur, après quoi tous deux retournent à leur mode de fonctionnement normal.

⑬ Connecteur pour la configuration et la maintenance [SET] (à l'intérieur du compartiment des piles)

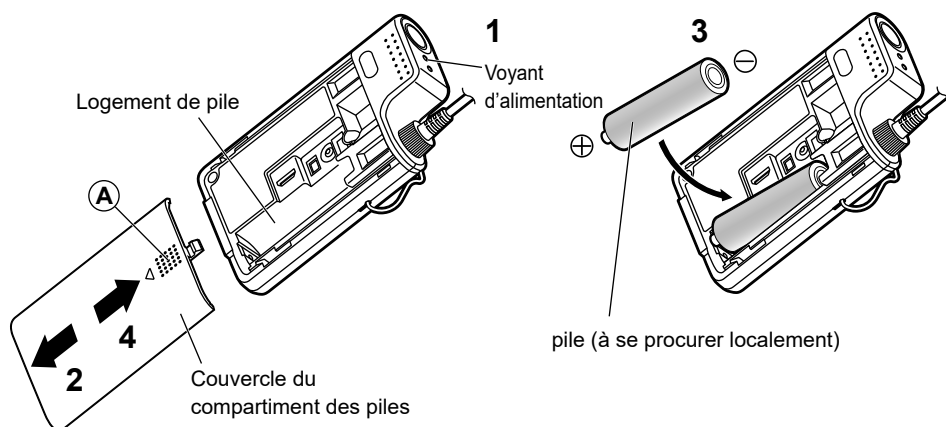
Connecteur micro USB 2.0 de type B pour la connexion du produit au récepteur sans fil. Se connecte via un câble USB 2.0 (mâle micro type B à mâle type A ; à se procurer localement) et un câble de conversion (femelle type A à mâle micro type B ; à se procurer localement).

Insertion de la pile

Lisez attentivement la section "Précautions" et suivre toutes les instructions. Mettez l'appareil hors tension avant d'insérer la pile. Voir "Remplacement de la pile" (page 68) pour obtenir des instructions sur le remplacement de la pile.



- Ne touchez pas les pôles de pile avec les mains. Ceci pourrait provoquer des problèmes de connexion et du bruit. Si les pôles de pile sont sales, nettoyez-les avec un chiffon doux et sec.



1 S'assurer que le voyant [PWR] est éteint

2 Retirer le couvercle du compartiment des piles

Appuyez sur la partie indiquée par (A) à l'arrière du couvercle du compartiment des piles et faites glisser le couvercle vers le bas pour le retirer.

3 Insérer la pile

Vérifiez la polarité de la pile (positive \oplus et négative \ominus), et insérez une pile rechargeable Ni-MH de type AA ou une pile alcaline sèche de type AA dans le logement de pile selon l'indication de polarité (\oplus , \ominus).

4 Remettre le couvercle du compartiment des piles

Pour remettre le couvercle du compartiment des piles, faites-le glisser vers le haut.



- Pour recharger les piles Ni-MH, utilisez uniquement le chargeur d'origine (WX-SZ200P). Le temps de charge dépend du type de pile et de la situation d'utilisation spécifique, mais il sera au maximum d'environ huit heures.
- Certaines piles peuvent ne pas fonctionner correctement avec ce produit. Si possible, utilisez l'une des piles recommandées. Les piles recommandées sont les suivantes.

Pile rechargeable : Pile Ni-MH type AA Panasonic BK-3MCCA

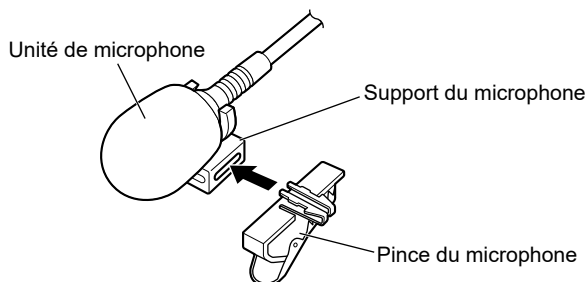
Piles sèches : Pile alcaline type AA Panasonic LR6PA

Pile alcaline type AA Panasonic LR6XE

Installation de la pince du microphone

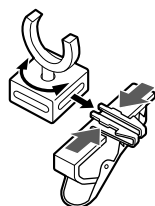
1 Fixer la pince du microphone

Fixez la pince de microphone fournie au support de microphone déjà installé.



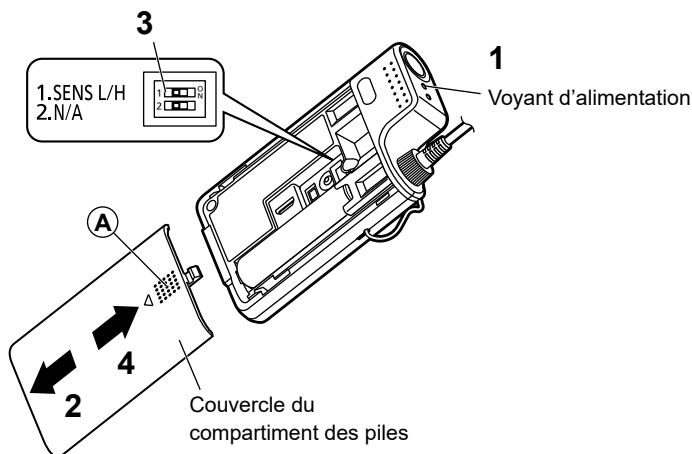
- **Vous pouvez fixer le support de microphone de différentes manières afin de l'adapter à divers vêtements.**

Pincez la pince du microphone de chaque côté comme indiqué sur l'illustration ci-dessous pour la retirer du support du microphone. Tournez le support du microphone selon vos besoins, puis fixez-le à nouveau à la pince.



Réglage de la sensibilité du microphone

Règle la sensibilité de l'audio recueilli par l'unité du microphone.



1 S'assurer que le voyant [PWR] est éteint

2 Retirer le couvercle du compartiment des piles

Appuyez sur la partie indiquée par (A) à l'arrière du couvercle du compartiment des piles et faites glisser le couvercle vers le bas pour le retirer.

3 Régler la sensibilité du microphone

Réglez l'interrupteur de réglage de la sensibilité. Utilisez la pointe d'un stylo, d'un tournevis ou d'un autre objet pointu étroit pour contrôler l'interrupteur. Les réglages de l'interrupteur sont les suivants.

[SENS L] : faible sensibilité (réglage par défaut) 1

[SENS H] : haute sensibilité 1

4 Remettre le couvercle du compartiment des piles

Pour remettre le couvercle du compartiment des piles, faites-le glisser vers le haut.



- Si vous modifiez ce réglage alors que le microphone fonctionne, cela pourrait causer du bruit. Baissez le volume de l'amplificateur de puissance ou du mélangeur avant de modifier ce réglage.



- Réglez la sensibilité sur "Low" (Faible) lorsque l'unité de microphone est proche de la bouche.
- Réglez la sensibilité sur "High" (Élevée) lorsque l'unité de microphone est éloignée de la bouche, ou si le volume de la voix est faible.

Appairage

Le microphone et le récepteur doivent être jumelés l'un à l'autre afin d'établir une connexion.

Effectuer l'appairage quand un microphone qui n'a pas encore été jumelé au récepteur est utilisé ou quand une erreur d'enregistrement se produit.

Le nombre maximal de microphones pouvant être jumelés à un récepteur et le nombre maximal de microphones pouvant être utilisés simultanément est le suivant. Lorsque le nombre maximal de microphones pouvant être jumelés est dépassé, le microphone le plus récent écrase le plus ancien.

Récepteur	Nombre maximal de microphones pouvant être jumelés	Nombre maximal de microphones pouvant être utilisés simultanément
WX-SR202P	6 par canal	2 (1 par canal)

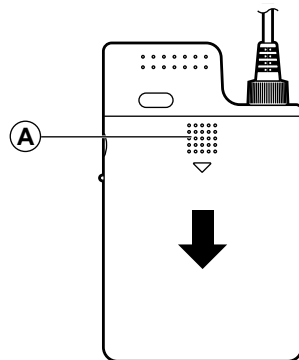
Reportez-vous également au manuel du récepteur sans fil.

■ Appairage avec le WX-SR202P (connexion sans fil)

Jumelez le microphone à une antenne sans fil via une connexion sans fil. Effectuez l'appairage dans la zone de connexion de l'antenne sans fil connectée au récepteur sans fil auquel vous voulez appairer le microphone.

1 Retirer le couvercle du compartiment des piles

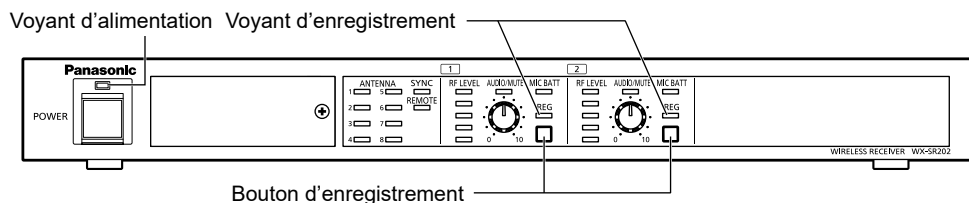
Appuyez sur la partie indiquée par (A) à l'arrière du couvercle du compartiment des piles et faites glisser le couvercle vers le bas pour le retirer.



2 Régler le récepteur sans fil sur le mode appairage

Assurez-vous que le voyant [POWER] du récepteur sans fil s'allume en vert, puis appuyez pendant au moins deux secondes sur le bouton [REG] du canal auquel vous voulez jumeler un microphone.

Lorsque le récepteur sans fil est en mode appairage, le voyant [REG] du canal dont le bouton [REG] a été pressé clignote en orange. Le mode appairage dure 30 secondes, veillez à jumeler le microphone pendant ce temps.

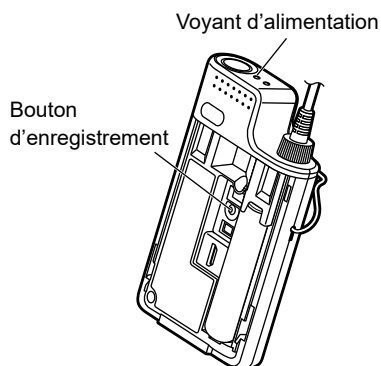


3 Jumeler le microphone

Maintenez le bouton [REG] d'un microphone sous tension pressé pendant au moins deux secondes pour commencer l'appairage (le voyant [PWR] clignote en orange).

Si l'appairage a terminé avec succès, le voyant [PWR] du microphone passera à l'état normal selon le niveau de pile restant (vert, orange ou rouge), et le voyant [REG] du canal jumelé du récepteur sans fil s'allumera en vert pendant une seconde, puis s'éteindra.

- Si l'appairage n'a pas réussi, le voyant [PWR] du microphone clignotera en rouge. Dans ce cas, placez le microphone le plus près possible de l'antenne et réessayez de le jumeler. (L'appairage peut échouer si le microphone est trop éloigné de l'antenne ou l'état de la connexion est mauvais.)



4 Remettre le couvercle du compartiment des piles

Remettez le couvercle du compartiment des piles en place sur le produit.



- Le bouton [REG] n'est pas valide si le canal auquel le microphone est jumelé est utilisé. Mettez hors tension le microphone actuellement jumelé, puis jumelez un microphone différent au canal qui est déjà utilisé.
- Le récepteur sans fil ne peut pas passer en mode appairage pour plusieurs canaux simultanément.
- Lorsqu'un canal du récepteur sans fil est en mode appairage, tous les autres canaux peuvent toujours être utilisés normalement.

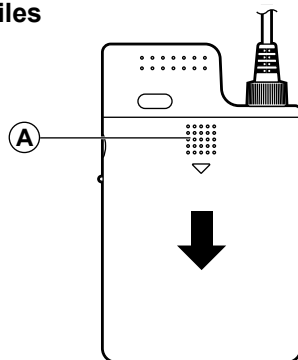
Appairage

■ Appairage avec le WX-SR202P (connexion filaire)

Jumelez le microphone à un récepteur sans fil via une connexion filaire. La connexion filaire utilise un câble USB 2.0 (mâle micro type B à mâle type A ; à se procurer localement) et un câble de conversion (femelle type A à mâle micro type B ; à se procurer localement).

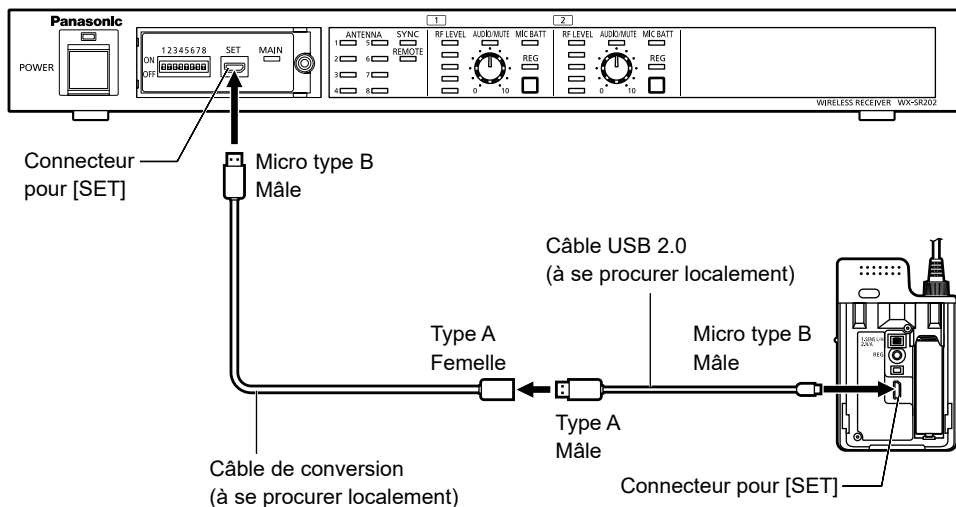
1 Retirer le couvercle du compartiment des piles

Appuyez sur la partie indiquée par (A) à l'arrière du couvercle du compartiment des piles et faites glisser le couvercle vers le bas pour le retirer.



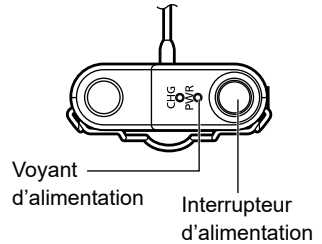
2 Connecter le microphone au récepteur sans fil

Connectez le connecteur du microphone [SET] au connecteur [SET] du récepteur sans fil via un câble USB 2.0 (mâle micro type B à mâle type A ; à se procurer localement) et un câble de conversion (femelle type A à mâle micro type B ; à se procurer localement). **Lors de la connexion des câbles, assurez-vous que le câble de conversion est bien fixé au récepteur sans fil. Si d'autres câbles sont connectés, le microphone ne pourra pas être jumelé.**



3 Allumer le microphone

Si le microphone est actuellement éteint, mettez l'interrupteur d'alimentation sur ON. Quand le microphone et le récepteur sans fil sont connectés via un câble, l'audio du microphone ne sera pas transmis.



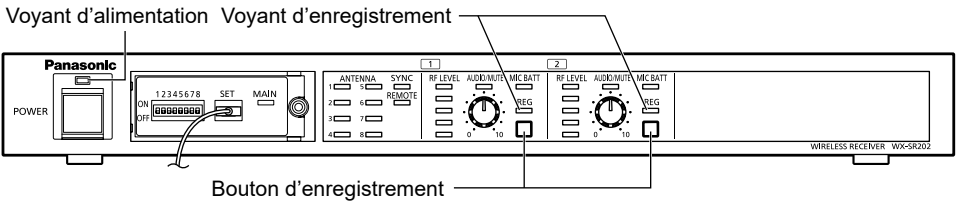
4 Jumeler le microphone au récepteur sans fil

Assurez-vous que le voyant [POWER] du récepteur sans fil s'allume en vert, puis appuyez pendant au moins deux secondes sur le bouton [REG] du canal auquel vous voulez jumeler un microphone. Le microphone et le récepteur sans fil passent en mode appairage et l'appairage commencera.

En mode appairage, le voyant [PWR] du microphone et le voyant [REG] du canal dont le bouton [REG] a été pressé sur le récepteur sans fil clignoteront en orange.

Si l'appairage a terminé avec succès, le voyant [PWR] du microphone passera à l'état normal selon le niveau de pile restant (vert, orange ou rouge), et le voyant [REG] du canal jumelé du récepteur sans fil s'allumera en vert pendant une seconde, puis s'éteindra.

- Si l'appairage n'a pas réussi, le voyant [PWR] du microphone clignotera en rouge.



Appairage

5 Débrancher le microphone du récepteur sans fil

Débranchez les câbles connectant le microphone au récepteur sans fil.
Si l'appairage a terminé avec succès, l'audio du microphone est transmis.

6 Remettre le couvercle du compartiment des piles

Remettez le couvercle du compartiment des piles en place sur le produit.

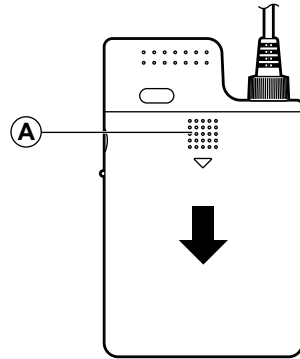


- Le bouton [REG] n'est pas valide si le canal auquel le microphone est jumelé est utilisé. Mettez hors tension le microphone actuellement jumelé, puis jumelez un microphone différent au canal qui est déjà utilisé.
 - Lorsqu'un canal du récepteur sans fil est en mode appairage, tous les autres canaux peuvent toujours être utilisés normalement.
 - Le réglage de l'interrupteur de sélection du microphone est facultatif.
-

Confirmation de l'appairage

1 Retirer le couvercle du compartiment des piles

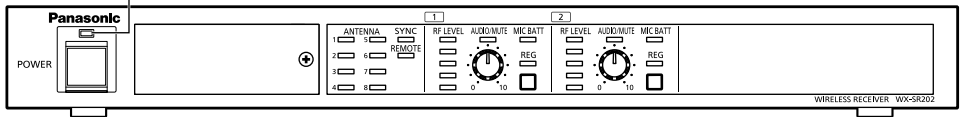
Appuyez sur la partie indiquée par (A) à l'arrière du couvercle du compartiment des piles et faites glisser le couvercle vers le bas pour le retirer.



2 S'assurer que le récepteur sans fil est allumé

Assurez-vous que le voyant [POWER] du récepteur sans fil s'allume en vert.

Voyant d'alimentation

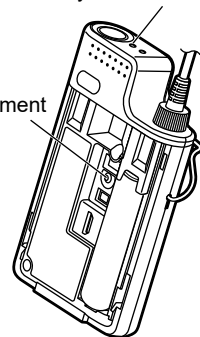


3 Régler le microphone sur le mode de confirmation de l'appairage

Appuyez une fois sur le bouton [REG] d'un microphone sous tension pour passer en mode de confirmation de l'appairage (le voyant [PWR] passe du vert à l'orange alternativement pendant cinq secondes).

Voyant d'alimentation

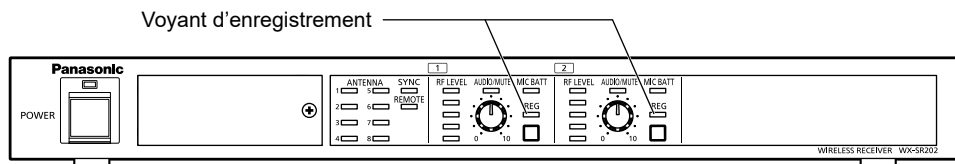
Bouton d'enregistrement



Confirmation de l'appairage

4 Vérifier le voyant [REG] sur le récepteur

Quand le microphone est en mode de confirmation de l'appairage, le voyant [REG] du canal jumelé du récepteur sans fil passe du vert à l'orange alternativement. Ceci permet de confirmer l'appairage. Le mode de confirmation de l'appairage dure cinq secondes, après quoi les dispositifs retournent à leur mode de fonctionnement normal. Appuyez une fois sur le bouton [REG] en mode de confirmation de l'appairage pour revenir au mode de fonctionnement normal.



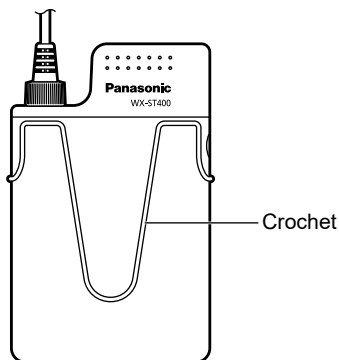
- Si le voyant [PWR] du microphone clignote en rouge, le microphone n'est pas jumelé à un récepteur sans fil. Effectuez les étapes décrites à la section "Appairage" (page 58).
- La confirmation de l'appairage peut également être effectuée à partir du récepteur sans fil.
- La transmission de l'audio du microphone sera maintenue pendant la confirmation de l'appairage.
- Reportez-vous également au manuel du récepteur sans fil.

Fixation du microphone

Éteignez le microphone avant de le fixer ou de régler sa position.

1 Fixer à la ceinture

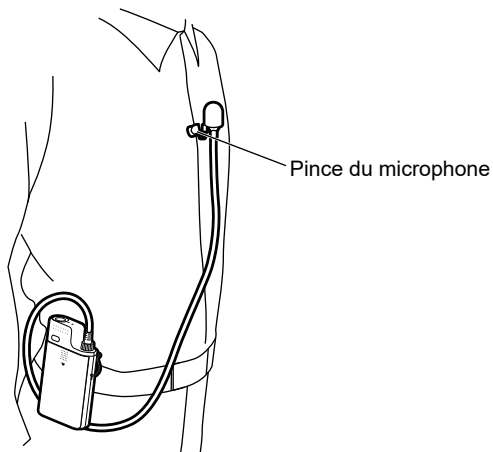
Fixez le crochet situé à l'avant du microphone sur la ceinture.



2 Fixer le microphone avec la pince du microphone

Utilisez la pince de microphone fournie pour fixer l'unité du microphone à une cravate ou à un col.

Fixez le plus près possible de la bouche pour obtenir la meilleure clarté audio.

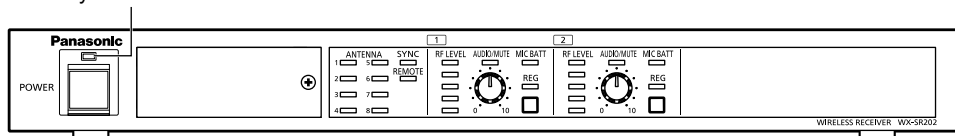


Utilisation du microphone

1 S'assurer que le récepteur est allumé

Assurez-vous que le voyant [POWER] du récepteur sans fil s'allume en vert.

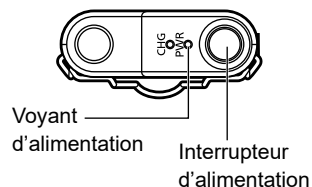
Voyant d'alimentation



2 Appuyez sur l'interrupteur d'alimentation du microphone pour le mettre en marche.

Le voyant [PWR] du microphone s'allume.

Quand le microphone est allumé, l'audio recueilli par l'unité de microphone est transmis.



- Si le voyant [PWR] du microphone clignote en rouge, le microphone n'est pas jumelé à un récepteur sans fil. Effectuez les étapes décrites à la section "Appariage" (page 58).

- Après utilisation, remettez l'interrupteur d'alimentation du microphone sur la position OFF. Appuyez à nouveau sur l'interrupteur d'alimentation pour éteindre le microphone. Le voyant [PWR] s'éteint.



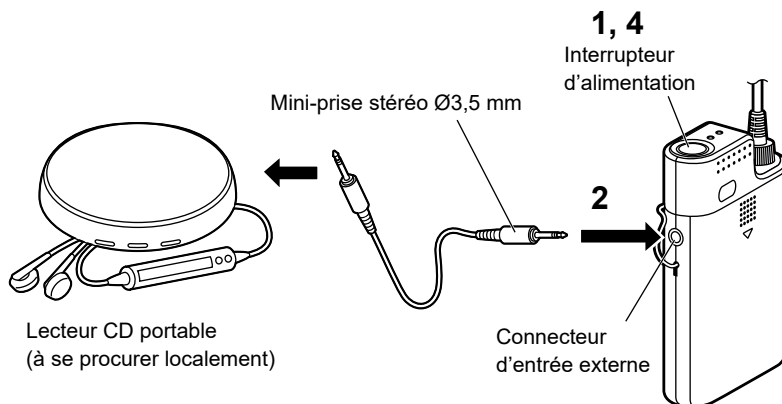
- Ne placez pas le microphone près des haut-parleurs. Cela pourrait provoquer des hurlements et d'autres bruits forts qui pourraient causer des blessures aux oreilles.



- Si le microphone se déplace hors de la portée de l'antenne, le voyant [PWR] clignote en orange et le microphone arrête la transmission audio. Repositionnez le microphone dans la portée de l'antenne pour reprendre la transmission. Reportez-vous au manuel du récepteur sans fil pour plus de détails sur la portée de la transmission sans fil.
- Gardez une distance d'au moins 50 cm (19-5/8 po) entre ce microphone et d'autres microphones sans fil. Placer plusieurs microphones dans un rayon de 50 cm (19-5/8 po) les uns des autres peut causer des retards de transmission, des pertes de signal audio et du bruit.

Connexion d'un dispositif externe

Connectez un dispositif externe (ex : lecteur CD portable) au connecteur [AUDIO IN] du microphone pour contribution la sortie audio du dispositif au récepteur.



1 Éteindre le microphone et le dispositif externe

2 Connecter un dispositif externe

Utilisez une mini-prise stéréo Ø3,5 mm pour connecter la sortie audio du dispositif externe (ex : lecteur CD portable) au connecteur [AUDIO IN].

3 Allumer le dispositif externe (ex : lecteur CD portable)

4 Allumer le microphone



- Quand une mini-prise stéréo Ø3,5 mm est connectée au connecteur [AUDIO IN], cette source audio est prioritaire et l'audio de l'unité de microphone cesse la transmission.
- Si le dispositif externe émet de l'audio stéréo, les canaux G/D seront mélangés.
- Reportez-vous également au manuel du dispositif externe connecté au microphone.

Remplacement de la pile

Lisez attentivement la section "Précautions" et suivre toutes les instructions.

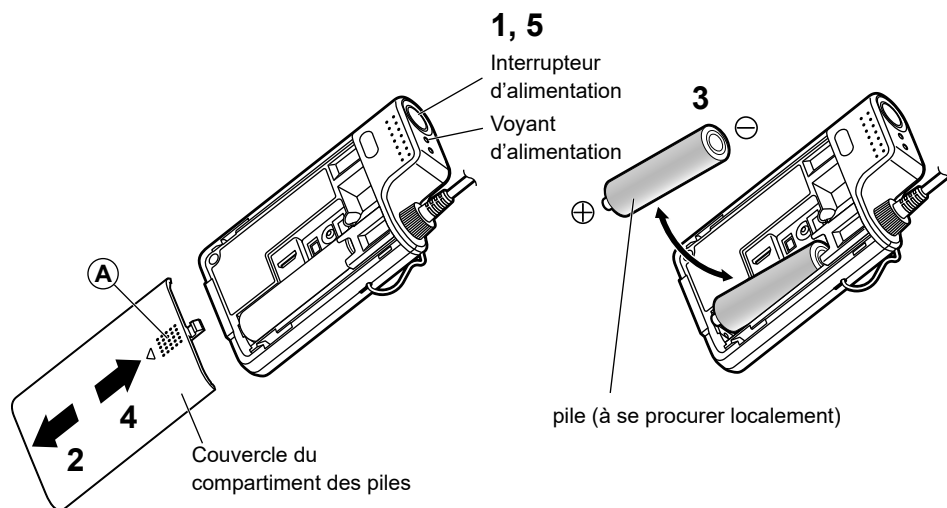
Éteignez le microphone avant de remplacer la pile.

Dans les cas suivants, la pile sèche est déchargée ou la capacité restante de la pile rechargeable est insuffisante. Remplacez la pile sèche par une pile neuve ou rechargez la pile rechargeable.

- Le voyant [PWR] s'allume en rouge
- Le voyant [PWR] ne s'allume pas



- Ne touchez pas les pôles de pile avec les mains. Ceci pourrait provoquer des problèmes de connexion ou du bruit. Si les pôles de pile sont sales, nettoyez-les avec un chiffon doux et sec.
- Même lorsque l'appareil est hors tension, la pile restant à l'intérieur du produit s'épuise lentement. Retirez la pile quand vous n'allez pas utiliser le microphone pendant une période prolongée, car le non-respect de cette consigne pourrait provoquer des fuites de piles.



1 S'assurer que le voyant [PWR] est éteint

2 Retirer le couvercle du compartiment des piles

Appuyez sur la partie indiquée par (A) à l'arrière du couvercle du compartiment des piles et faites glisser le couvercle vers le bas pour le retirer.

3 Remplacer la pile

Lors du retrait de la pile, retirez-la du pôle positif ⊕.

Vérifiez la polarité de la pile (positive ⊕ et négative ⊖), et insérez une pile rechargeable Ni-MH de type AA ou une pile alcaline sèche de type AA dans le logement de pile selon l'indication de polarité (⊕, ⊖).

4 Remettre le couvercle du compartiment des piles

Pour remettre le couvercle du compartiment des piles, faites-le glisser vers le haut.

5 Vérifier le voyant [PWR]

Appuyez sur l'interrupteur d'alimentation pour mettre le microphone en marche et vérifiez que le voyant [PWR] s'allume en vert ou en orange.



- Pour recharger les piles Ni-MH, utilisez uniquement le chargeur d'origine (WX-SZ200P). Le temps de charge dépend du type de pile et de la situation d'utilisation spécifique, mais il sera au maximum d'environ huit heures.
- Certaines piles peuvent ne pas fonctionner correctement avec ce produit. Si possible, utilisez l'une des piles recommandées. Les piles recommandées sont les suivantes.

Pile rechargeable : Pile Ni-MH type AA Panasonic BK-3MCCA

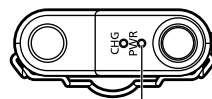
Piles sèches : Pile alcaline type AA Panasonic LR6PA

Pile alcaline type AA Panasonic LR6XE

Rechargement de la pile

1 Éteindre le microphone

Vérifiez que le voyant [PWR] est éteint.



Voyant d'alimentation

2 Insérer le microphone dans le chargeur (WX-SZ200P)

Vérifiez que le voyant [POWER] du chargeur s'allume et placez le microphone dans le chargeur. Quand le microphone est inséré dans le chargeur, le voyant [CHG] (rouge) du microphone indique l'état de charge comme suit :

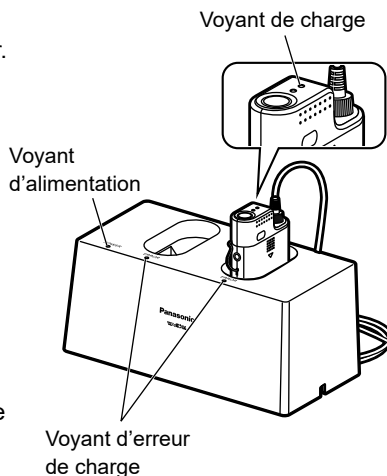
Allumé : Chargement

Éteint : Le chargement est terminé ou le microphone n'est pas correctement réglé sur le chargeur.

Clignotant :

Généralement provoqué par l'une des causes suivantes.

- Le microphone peut contenir une pile sèche ou une pile rechargeable détériorée, ou la pile peut être absente. Assurez-vous que le type de pile approprié est inséré.
- La pile rechargeable peut se trouver en dehors de sa plage de température de fonctionnement. Assurez-vous que la pile se trouve dans sa plage de température de fonctionnement.





Important

- Utilisez uniquement le chargeur d'origine (WX-SZ200P). Reportez-vous également au manuel du chargeur.
- Le microphone ne peut pas être utilisé pendant qu'il est rechargé.
- Le microphone ne sera pas chargé s'il n'est pas correctement inséré dans le chargeur.
- Si le chargeur ne peut pas entrer en contact directement le microphone à cause d'un obstacle, le voyant [CHG] reste éteint et le voyant [ERROR] du chargeur s'allume ou clignote. Ne pas enlever l'obstruction peut causer une surchauffe. Enlevez tout corps étranger qui pourrait être à l'origine de l'obstruction.
- Mettez l'interrupteur d'alimentation du microphone sur OFF pendant le chargement. Même quand le microphone est inséré dans le chargeur avec l'interrupteur d'alimentation en position ON, le microphone s'éteint automatiquement et la pile sera rechargée. Cependant, dans un tel cas, vous devez toujours mettre l'interrupteur d'alimentation en position OFF. (Il faut faire cela parce que l'énergie de la pile sera légèrement consommée après le chargement lorsque l'interrupteur d'alimentation est en position ON.)
- Tenez le chargeur avec la main lors du retrait d'un microphone.



- Si, une fois le chargement terminé, la pile du microphone se vide spontanément, le chargement ne recommencera pas même si le microphone est toujours inséré dans le chargeur.
- Si le voyant [CHG] ne s'allume pas malgré l'insertion du microphone dans le chargeur, vérifiez que toutes les liaisons entre le chargeur, l'adaptateur CA, le câble d'alimentation et la prise électrique sont correctement connectés.
- Le temps de charge dépend du type de pile et de la situation d'utilisation spécifique, mais il sera au maximum d'environ huit heures.
- Charger les piles en dehors de leur plage de température de fonctionnement pourrait augmenter considérablement le temps nécessaire au chargement. Même si les piles se trouvent dans leur plage de température de fonctionnement, recharger alors que le microphone est très chaud ou froid pourrait augmenter le temps nécessaire au chargement.
- La pile et le chargeur risquent de chauffer pendant le chargement. Cela n'indique en rien un dysfonctionnement.
- N'essayez pas de charger des piles déjà pleines. Sinon, cela réduira la durée de vie des piles.

Rechargement de la pile



- Certains types de piles peuvent ne pas être complètement rechargés en un seul cycle et l'autonomie est réduite. C'est le cas des piles qui sont utilisées pour la première fois, des piles qui n'ont pas été utilisées depuis longtemps (plus de trois mois) et des piles qui ont été rechargées et épuisées plusieurs fois. Ce phénomène est typique des piles rechargeables. L'autonomie de la pile peut être rétablie au niveau normal en rechargeant complètement puis en déchargeant (à l'aide du microphone) les piles deux ou trois fois.
 - Le chargeur reconnaît automatiquement la pile sèche à l'intérieur du microphone pour annuler le chargement, puis le voyant [CHG] clignote. Cependant, selon le type de pile sèche, cette reconnaissance automatique peut prendre un certain temps et le voyant [CHG] reste allumé jusqu'à ce que la reconnaissance soit terminée.
 - Parfois, lors de la recharge de piles presque pleines à très basse température, il se peut qu'elles soient reconnues par erreur comme des piles sèches et que le voyant [CHG] commence à clignoter.
 - Le microphone est chargé par charge inductive. En raison des règles de charge inductive, le voyant [PWR] du microphone pourrait s'éteindre plusieurs fois juste avant la fin de la charge, mais cela n'indique pas un dysfonctionnement.
 - Parfois, lors de la recharge de piles presque vides, il se peut qu'elles soient reconnues par erreur comme des piles sèches et que le voyant [CHG] commence à clignoter. Si cela se produit, retirez le microphone du chargeur et réinsérez-le plusieurs fois jusqu'à ce que les piles soient correctement reconnues. Si les piles ne peuvent pas être rechargées malgré plusieurs tentatives, cela signifie qu'elles sont complètement épuisées et doivent être remplacées.
-

Diagnostic des pannes

Vérifiez les problèmes courants énumérés dans ce tableau avant de demander l'aide d'un professionnel.

Si aucun des conseils fournis ici ne sont utiles, si vous rencontrez un problème non répertorié ici, ou en cas de doutes, contactez le détaillant pour plus d'informations.

Phénomène	Cause/mesure	Page de référence
Le produit ne s'allume pas	<ul style="list-style-type: none">● Avez-vous inséré la pile sèche ou la pile rechargeable correctement? ➔ Assurez-vous que la pile est insérée.	54
	<ul style="list-style-type: none">● Le microphone est-il actuellement inséré dans le chargeur? ➔ Même si le voyant [CHG] ne s'allume pas, le microphone ne peut pas être allumé tant qu'il est inséré dans le chargeur. Extrayez le microphone du chargeur et allumez-le.	70
	<ul style="list-style-type: none">● La pile est-elle épuisée? ➔ Si c'est le cas, remplacez-la (s'il s'agit de la pile sèche) ou rechargez-la (s'il s'agit de la pile rechargeable).	68, 70
	<ul style="list-style-type: none">● La pile est-elle insérée selon les polarités correctes? (Positive ⊕, négative ⊖) ➔ Assurez-vous que la pile est insérée correctement.	54, 68
Le voyant [PWR] clignote en rouge et je ne peux pas utiliser le microphone.	<ul style="list-style-type: none">● Le microphone n'est pas jumelé. Il se peut aussi qu'il y ait eu une erreur pendant le processus d'appairage en raison d'une mauvaise connexion. ➔ Placez le microphone le plus près possible de l'antenne et réessayez de l'appairer.	58

Diagnostic des pannes

Phénomène	Cause/mesure	Page de référence
Le voyant [PWR] clignote en orange et je ne peux pas utiliser le microphone.	<ul style="list-style-type: none"> ● Le microphone peut se trouver en dehors de la portée de l'antenne et ne peut pas établir de connexion. <ul style="list-style-type: none"> ➔ Repositionnez le microphone à l'intérieur de la portée de l'antenne. 	51
	<ul style="list-style-type: none"> ● Le récepteur est-il allumé? <ul style="list-style-type: none"> ➔ Assurez-vous que le récepteur est sous tension. 	66
Le voyant [PWR] clignote en vert et je ne peux pas utiliser le microphone.	<ul style="list-style-type: none"> ● Vous ne pouvez pas utiliser le microphone car il y a un autre microphone actif jumelé au même canal. <ul style="list-style-type: none"> ➔ Cessez d'utiliser l'autre microphone jumelé au même canal. 	51
	<ul style="list-style-type: none"> ● Le microphone peut se trouver presque en dehors de la portée de l'antenne. <ul style="list-style-type: none"> ➔ Repositionnez le microphone à l'intérieur de la portée de l'antenne. 	51
L'audio de l'unité de microphone n'est pas transmis	<ul style="list-style-type: none"> ● Un dispositif externe est-il connecté au connecteur [AUDIO IN]? <ul style="list-style-type: none"> ➔ Quand un dispositif externe est connecté, même s'il est éteint, il aura priorité sur l'unité de microphone, qui arrêtera la transmission audio de l'unité de microphone. Déconnectez la prise du connecteur [AUDIO IN]. 	67
	<ul style="list-style-type: none"> ● Le volume du récepteur, de l'amplificateur connecté, etc. est-il suffisamment élevé? <ul style="list-style-type: none"> ➔ Ajustez le volume sonore avec le bouton de réglage du volume. 	—
Je ne peux pas charger le microphone (Le voyant [CHG] reste éteint)	<ul style="list-style-type: none"> ● Le microphone est-il correctement inséré dans le chargeur? <ul style="list-style-type: none"> ➔ Assurez-vous que le microphone est correctement inséré dans le chargeur. 	70

Phénomène	Cause/mesure	Page de référence
Je ne peux pas charger le microphone (Le voyant [CHG] ne reste allumé que quelques minutes)	<ul style="list-style-type: none"> ● La pile est-elle déjà rechargée? <ul style="list-style-type: none"> ➔ La pile est peut-être déjà complètement rechargée. Extrayez le microphone du chargeur et utilisez-le normalement. 	70
Je ne peux pas charger le microphone (Le voyant [CHG] clignote)	<ul style="list-style-type: none"> ● La pile à l'intérieur du microphone pourrait être une pile sèche ou une pile rechargeable détériorée. <ul style="list-style-type: none"> ➔ Assurez-vous que le type de pile approprié est inséré. 	70
	<ul style="list-style-type: none"> ● Une pile rechargeable presque vide pourrait être mal détectée en tant que pile sèche. <ul style="list-style-type: none"> ➔ Retirez le microphone du chargeur et réinsérez-le plusieurs fois jusqu'à ce que les piles soient correctement reconnues. 	72
	<ul style="list-style-type: none"> ● La pile est-elle extrêmement chaude? <ul style="list-style-type: none"> ➔ Vérifiez la température de la pile. 	70
	<ul style="list-style-type: none"> ● Avez-vous inséré la pile rechargeable? <ul style="list-style-type: none"> ➔ Assurez-vous d'avoir inséré la pile rechargeable. 	54
	<ul style="list-style-type: none"> ● La pile est-elle insérée selon les polarités correctes? (Positive ⊕, négative ⊖) <ul style="list-style-type: none"> ➔ Assurez-vous que la pile est insérée correctement. 	54, 68
L'autonomie de la pile est courte malgré qu'elle soit complètement chargée	<ul style="list-style-type: none"> ● La pile utilisée est-elle détériorée, par exemple en raison d'une utilisation intensive? <ul style="list-style-type: none"> ➔ Une pile détériorée pourrait retenir moins de charge, pourrait être incapable d'allumer le microphone et causer d'autres problèmes. Remplacez-les par des piles rechargeables neuves. 	68

Spécifications

Sans fil	Fréquences utilisées	1921.536 MHz à 1928.448 MHz
	Antenne	Antenne interne
Type de microphone	Pince cravate	Microphone à électret à condensateur unidirectionnel
Réponse en fréquence		100 Hz à 15 kHz
Connecteur d'entrée externe		Mini-jack stéréo Ø3,5 mm entrée de ligne -14 dBV (Mixage monaural)
Connecteur pour [SET]		Micro USB type B
Type de batterie		Pile rechargeable : Pile Ni-MH format AA × 1 Pile sèche : pile alcaline format AA × 1
Autonomie de la pile (Dans l'hypothèse d'une utilisation continue à une température de 25 °C (77 °F) avec des piles Panasonic)		Environ 8 heures (Pile Ni-MH type AA BK-3MCCA) Environ 6 heures (Pile alcaline type AA LR6PA) Environ 8 heures (Pile alcaline type AA LR6XE)
Affichage (voyants)		Alimentation, charge
Plage de température de fonctionnement		5 °C à 35 °C (41 °F à 95 °F)
Plage d'humidité de fonctionnement		10 % à 90 % (sans condensation)
Dimensions		Émetteur : 60 mm (L) x 97 mm (H) x 20 mm (P) (2-3/8 po x 3-13/16 po x 13/16 po) Unité de microphone : Diamètre maximal : 13 mm (1/2 po), Longueur : 22 mm (7/8 po), Longueur du câble de l'unité du microphone émetteur : 1 000 mm (39-3/8 po)
Masse		Émetteur : environ 95 g (0,2 lb) (pile alcaline LR6PA incluse) Unité de microphone : environ 20 g (0,04 lb)
Finition		Finition noire

Accessoires standard

Instructions d'utilisation (ce livret).....	1
Carte de garantie.....	1
Pince du microphone.....	1
Support du microphone (déjà installé).....	1
Bonnette anti-vent (déjà installée).....	1
Autocollant d'identification du microphone.....	1

Panasonic Corporation of North America

Two Riverfront Plaza, Newark, NJ 07102-5490
<http://business.panasonic.com/>

Panasonic Canada Inc.

5770 Ambler Drive, Mississauga, Ontario, L4W 2T3 Canada
1-877-495-0580
<https://www.panasonic.com/ca/>

© Panasonic Corporation 2019

Pas0619-2070

PGQX2327XA

Printed in China
Imprimé en Chine