

SPECIFICATION SHEET



Mini DisplayPort to DVI Adapter Cables

- Adapts a Mini DisplayPort Source device to DVI compatible displays
- Supports DisplayPort 1.2 specification
- Supports up to a 1920x1200 resolution
- Lifetime Warranty

Specifications: Mini DisplayPort to DVI Adapter Cables

Electrical Specifications:

Voltage Rating:	30v	
Conductor Resistance:	@ 20°C max	
Insulation Resistance:	10MΩ/km	
Time Delay:	5.2ns/m (max)	
Attenuation:		
	5.02dB@100-450MHz	7.69dB@1GHz
	12.595dB@2GHz	17.495dB@3GHz
	22.395dB@4GHz	27.295dB@5GHz
	32.195dB@6GHz	37.095dB@7GHz

Physical Specifications:

Operating Temperature:	0°C to 50°C
Storage Temperature:	-25°C to 70°C
Approvals:	CE
Warranty:	Lifetime

Conductor (2 Conductor, 5 Pair):

Conductor:	32AWG (7/0.08TC)
Insulation:	FM-PE, ID:0.63±0.05mm
Color:	White/Brown, White/Red, White/Orange, White/Green White/Blue
Drain:	32AWG (7/0.08TC) HD-PE ID:0.63±0.05
Shield:	Aluminum Foil Wrap Coverage—100%

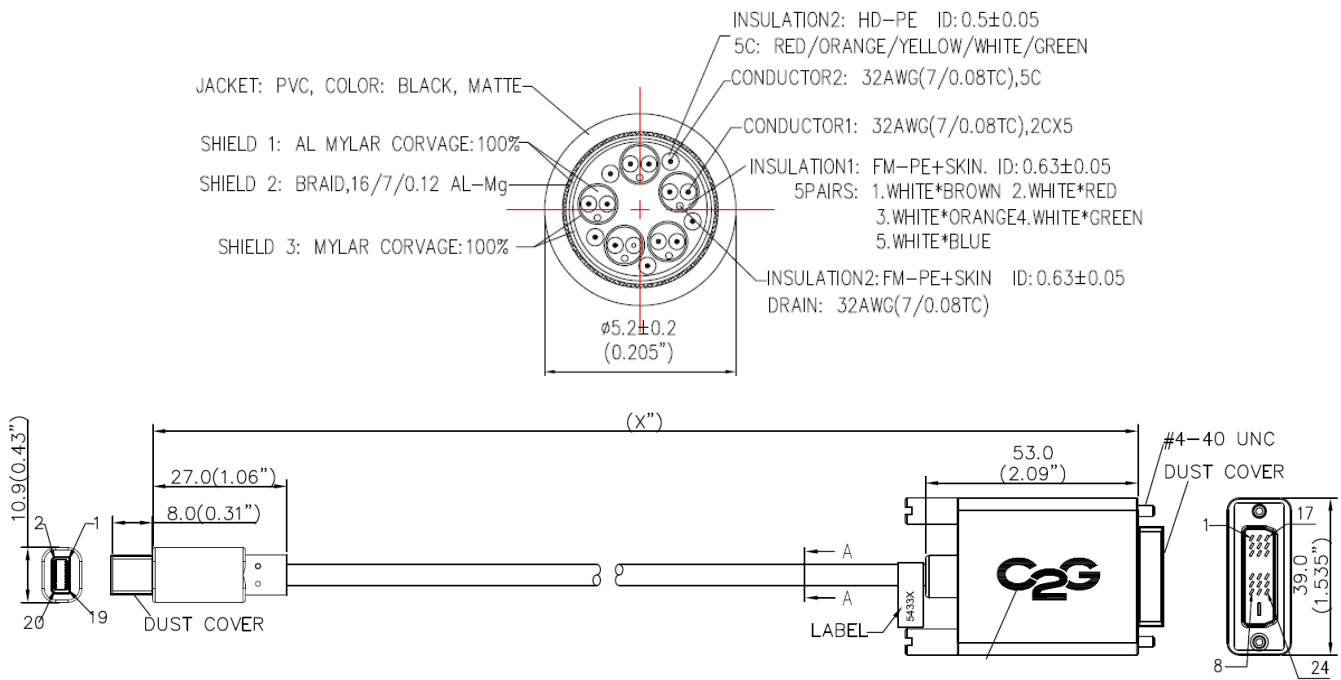
Conductor (5 Conductors):

Conductor:	32AWG (7/0.08TC)
Insulation:	HD-PE, ID:0.5±0.05mm
Color:	Red/Orange/Yellow/Green/ White

Overall Cable

Jacket:	PVC
Shield:	Aluminum Foil—Coverage 100%
	Braid—16/9/0.12
Drain:	2:30AWG (7/0.08 BC)
OD:	5.2±0.2

Specifications: Mini DisplayPort to DVI Adapter Cables



Part Number	Description	Weight (lbs)
54334	3ft Mini DisplayPort Male to DVI Male Adapter Cable—Black	0.193
54335	6ft Mini DisplayPort Male to DVI Male Adapter Cable—Black	0.252
54336	10ft Mini DisplayPort Male to DVI Male Adapter Cable—Black	0.334
54337	3ft Mini DisplayPort Male to DVI Male Adapter Cable—White	0.193
54338	6ft Mini DisplayPort Male to DVI Male Adapter Cable—White	0.252
54339	10ft Mini DisplayPort Male to DVI Male Adapter Cable—White	0.334



Cables To Go
 3555 Kettering Blvd.
 Moraine, OH 45439
 Phone: 800.287.2843
 www.c2g.com

Follow Us

