

DATA SHEET



High Speed HDMI Cable With Gripping Connectors - CL2P - Plenum Rated

Deliver high speed HDMI features including UltraHD, 4K at 50/60hz and Ethernet to critical equipment

OVERVIEW

This High Speed HDMI CL2P Plenum Rated Cable with Gripping Connectors is designed for connecting multimedia devices in offices, meeting rooms, or in other commercial environments. This cable can be installed in audio/video applications requiring high speed HDMI features while meeting strict building codes that require CL2P plenum rated cables to be installed. Ensure that your most critical equipment maintains signal strength with the gripping connectors—which limit the chance that the cable could be accidentally disconnected, causing detrimental downtime. There is no need for special locking socket tie downs or screws that take up extra space and add cost.

FEATURES

- CL2P plenum rated jacket
- Gripping connector
- Designed to support high speed HDMI features including Ethernet
- Supports up to 4K (2160p at 50/60hz) video resolution, which is four times the clarity of 1080p/60 video resolution
- Support for the wide angle theatrical 21:9 video aspect ratio
- Gold plated connectors
- 3D video, Deep Color and x.v. Color™
- Dolby® True HD, DTS-HD Master Audio and up to 32 audio channels for a multi-dimensional, immersive audio experience
- Up to 1536kHz audio sample frequency for the highest audio fidelity
- Simultaneous delivery of dual video streams to multiple users on the same screen
- Simultaneous delivery of multi-stream audio to multiple users (up to four)
- Dynamic synchronization of video and audio streams
- CEC extensions for control of consumer electronics devices through a single control point

DATA SHEET

SPECIFICATIONS: High Speed HDMI Cable With Gripping Connectors CL2P - Plenum Rated

ELECTRICAL CHARACTERISTICS:

Conductor Resistance:	24AWG 94.2[OHM]/Km Mat at 20[D]C
FEXT:	-26dB at 0.3 to 5.10Ghz
Impedance:	100±10[OHM]
Attenuation (Max):	0.3~825MHz <5dB/Cable, 0.825~2.475GHz <5~12dB/6m, 2.475~4.125GHz <12~20dB/6M, 4.125~5.1 GHz <20~25dB/6M
Time Delay Skew:	Within a pair <=112ps/6M, Between Pairs <=1.78ns/6M

PHYSICAL CHARACTERISTICS:

Operating Temperature:	0[D] to 50[D] C
Storage Temperature:	-25[D] to 70[D] C
Cable Outer Diameter:	6mm
Shield:	Aluminium Foil - 100% Coverage / Braid - Tinned Copper (24/7/0.12mm)

CONDUCTOR (1&2):

Conductor 1 (Twisted Pair)

- Material:	Tinned Copper
- Size:	24AWG (7/0.2mm)
- Insulation:	FM-FEP (ID 1.55±0.10)
- Drain:	24AWG Tinned Copper (7/0.2mm)

Conductor 2 (5 Conductors)

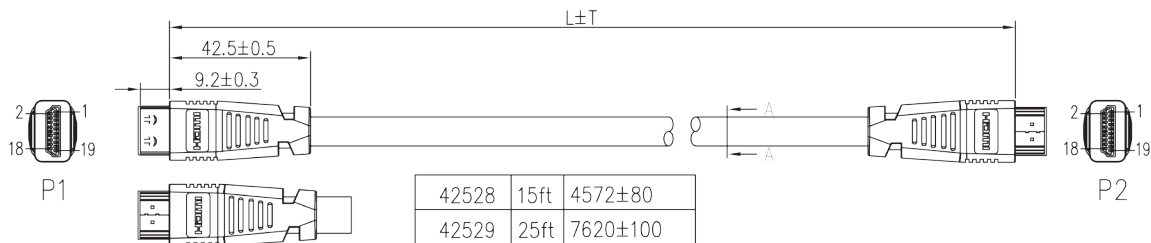
- Material:	Tinned Copper
- Size:	24AWG (7/0.2mm)
- Insulation:	FEP (ID 0.95±0.08)

CONNECTOR TYPE HDMI

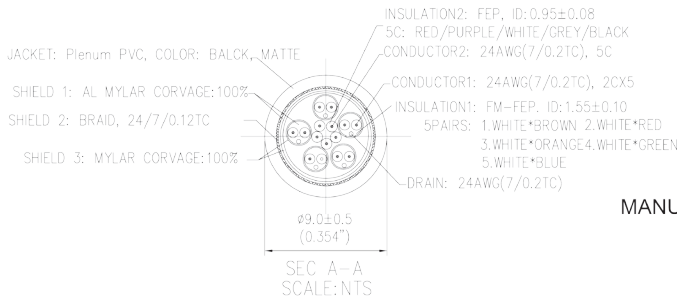
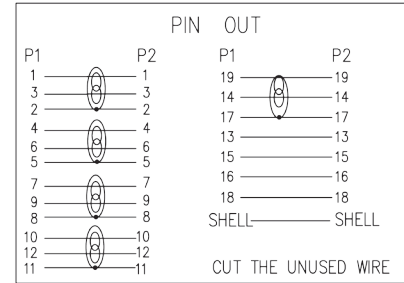
Gender:	Male x2
Port Retention:	6.6lbs Minimum Withdraw Force
Insulation:	Black
Contact Material:	Gold Flashing

DATA SHEET

SPECIFICATIONS: High Speed HDMI Cable With Gripping Connectors CL2P - Plenum Rated



42528	15ft	4572±80
42529	25ft	7620±100
42530	35ft	10668±120
42531	40ft	12192±150
42532	50ft	15240±150
P/N	L±T	



MANUFACTURED IN TAIWAN



ITEM DESCRIPTION

- 42528 15ft High Speed HDMI Cable with Gripping Connectors - CL2P - Plenum Rated
- 42529 25ft High Speed HDMI Cable with Gripping Connectors - CL2P - Plenum Rated



3555 Kettering Blvd.
Moraine, OH 45439
Phone: 800.CABL.911
www.c2g.com

Follow Us

