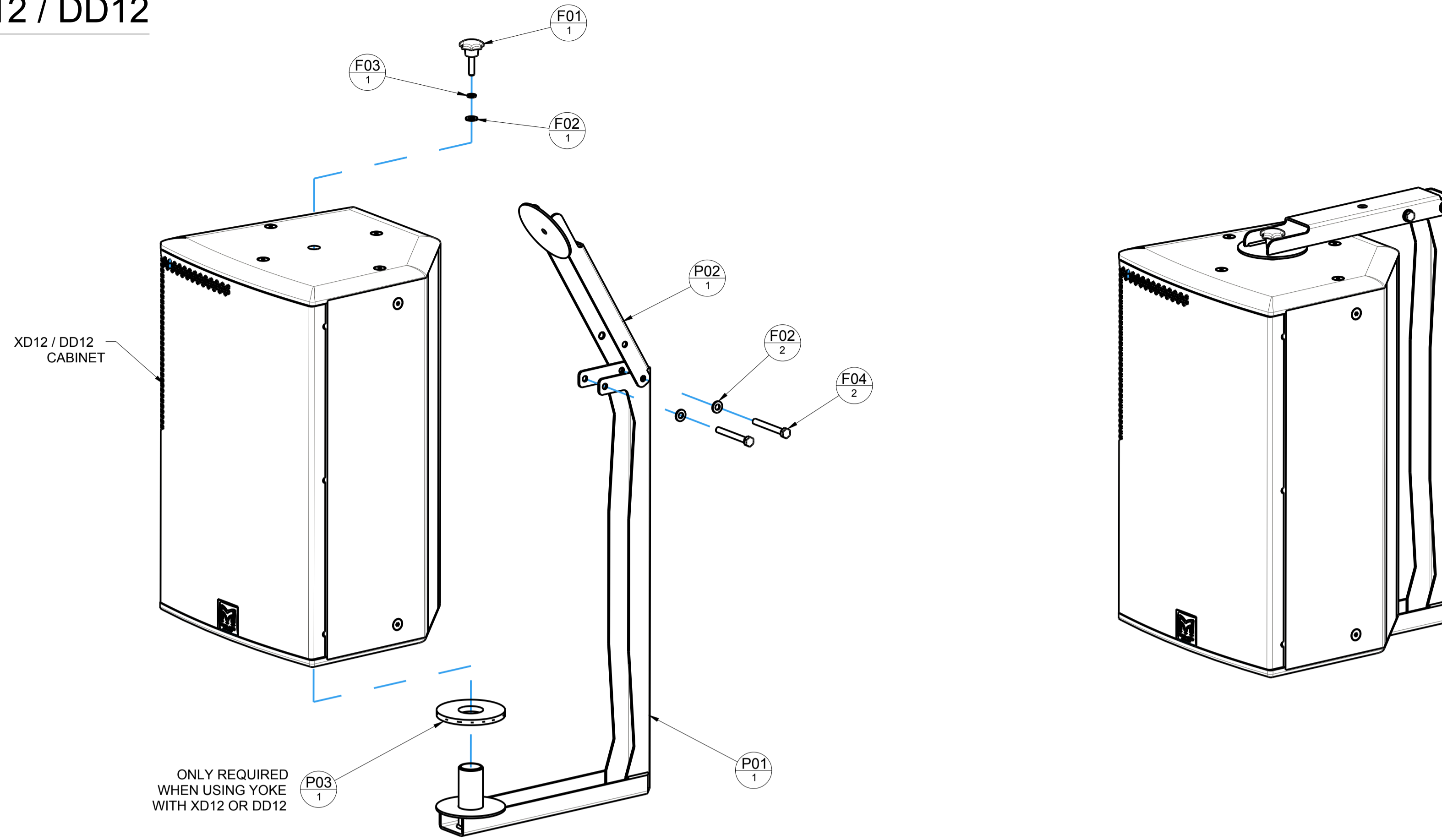


ISSUE No.	MODIFICATIONS.	ECN No.	APPRD BY.
A00	APPROVED FOR PRODUCTION RELEASE	N/A	BH

XD12 / DD12



**** IMPORTANT ****

THIS YOKE ASSEMBLY CAN BE SAFELY USED IN THE FOLLOWING ORIENTATIONS:

- SUSPENDED FROM THE CEILING OR SCAFFOLDING TRUSS
- SECURED TO WALL WITH CABINET IN THE PORTRAIT ORIENTATION

THIS YOKE MUST 'NOT' BE USED IN THE FOLLOWING ORIENTATION:

- SECURED TO WALL WITH CABINET IN THE LANDSCAPE ORIENTATION

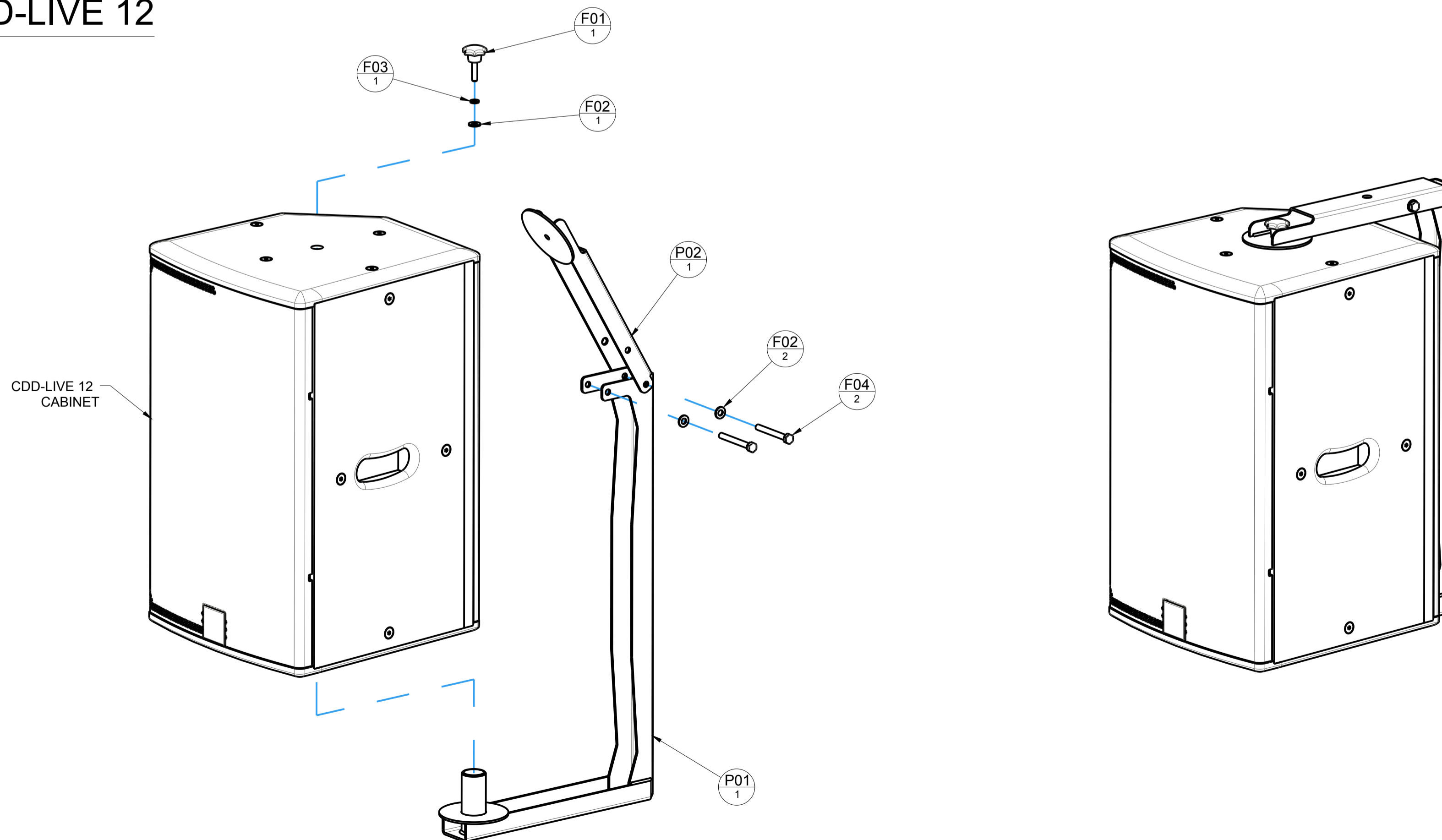
NOTES:

1) THE FOLLOWING ITEMS ARE SUPPLIED SEPARATELY IN A POLYBAG:
 - F01 - M8 HANDWHEEL (1 OFF)
 - F02 - M8 PLAIN WASHER (1 OFF)
 - F03 - M8 SPRING WASHER (1 OFF)
 - F05 - M8X40 HEX SCREW (1 OFF)

2) ITEM F05 - M8X40 HEX SCREW TO BE USED INSTEAD OF ITEM F01 - M8 HANDWHEEL FOR APPLICATIONS THAT REQUIRE INCREASED TORQUE AND CABINET STABILITY

3) ITEM P03 - RUBBER SPACER SHOULD BE USED WHEN THE YOKE IS USED WITH THE XD12 AND DD12 CABINETS. THE SPACER IS NOT REQUIRED WHEN THE YOKE IS USED WITH THE CDD-LIVE 12 CABINET

CDD-LIVE 12



XD12 / DD12 / CDD-LIVE 12 YOKE ASSEMBLY				
ITEM	PART No.	DESCRIPTION	QTY	U/M
P01	HAM08046	XD12 / DD12 / CDD-LIVE 12 YOKE - BOTTOM FRAME	1	EA
P02	HAM09185	XD12 YOKE - TOP FRAME	1	EA
P03	GRT00260	RUBBER SPACER XD YOKE BRACKETS	1	EA
F01	FA00016	HANDWHEEL Ø40 M8X30 MALE STUD MOSS 462061	1	EA
F02	FAZ08001	WSHR M8 PLAIN A2 SS BLK PX3	3	EA
F03	FAZ080	WSHR M8 SPRING A2 SS BLK PX3	1	EA
F04	FAA08023	SCR MACH M8X70 HEX 12.9 HTS BLK DELTA PROTECT	2	EA
F05	FAA08024	SCR MACH M8X40 HEX 12.9 HTS BLK DELTA PROTECT	1	EA

© COPYRIGHT MARTIN AUDIO LTD.

3RD ANGLE PROJECTION
 ALL DIMENSIONS IN mm.
 TOLERANCES UNLESS OTHERWISE STATED :-
 WHOLE NUMBERS ± 0.5mm.
 1 DECIMAL PLACE ± 0.2mm.
 2 DECIMAL PLACE ± 0.1mm.
 ANGLES :- ± 0.5°.
 HOLE DIA :- ± 0.05mm.

Century Point
 Halifax Road
 Cresssex Business Park
 High Wycombe, Bucks HP12 3SL
 TEL +44(0)1494 535312
 FAX +44(0)1494 438669
 e-mail: ben@martin-audio.com

TITLE:
CDDLYA12 YOKE ASSEMBLY

DRAWN BH	DATE 17-Aug-2016	DRAWING No. CDDLYA12	ISSUE A00
----------	------------------	-------------------------	--------------