



The magic life in the image world

E-IMAGE

User's Manual



NINGBO EIMAGE STUDIO EQUIPMENT CO., LTD

Address: No.373 South Hangyong Rd,Luotuo Industry zone, Zhenhai,
Ningbo, China. 315202

Tel:86-574-55681753,86-574-55681675

Fax:86-574-86590078

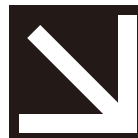
E-mail: sales@eimagevideo.com

Visit www.eimagevideo.com for more information



Thanks for your purchasing E-IMAGE professional heads and tripods.As the manual is an important part of the equipment and is aimed at personnal who operate and maintain the equipment. It contains detail information about the E-IMAGE heads and tripods and it's proper use. We intensely suggest you to read the manual carefully ,to familiarize yourself with its many functions. It also include a section about safety and maintaince, which will help you keep the equipment in prefect condition and prolong the using period.

Please keep this manual for future reference.



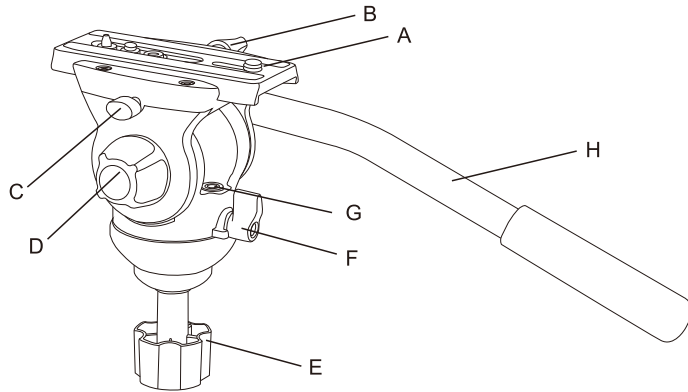
Fluid head specification.....1

Tripod specification7

Maintenance.....15

Notice & Warning.....16

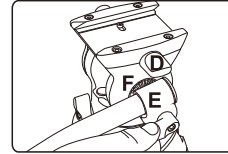
Model No.	Bowl size	Net weight	Load capacity	Grades of drag	Counterbalance	Tilt range	Temperature range
EK610	65mm	3.5kg	3kg	Fixed	Fixed	+90° ~ -60°	-40°C ~ 80°C



- A Quick release plate
 B Plate locking knob
 C Insurance button
 D Tilt drag adjusting knob
 E Bowl locking knob
 F Pan locking knob
 G Bubble level
 H Pan bar

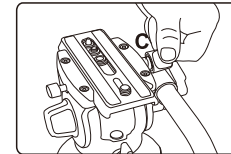
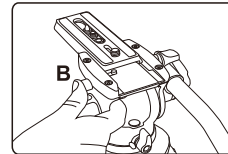
1. Install Pan Handle

Place the pan handle "E" in the desired position on the pan handle mounting rosette "F", then secure it by tightening pan handle locking thumb screw "D".



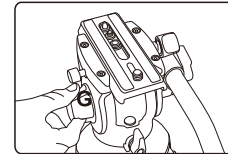
2. Removing quick release plate

Loosen the quick release plate locking knob "B", then press the quick release plate release button "C" while sliding the plate to wards the back of the head.



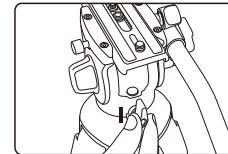
3. Adjusting tilt position

Loosen the tilt locking knob "G" to change tilt position. Tighten the knob to lock the tilt position.



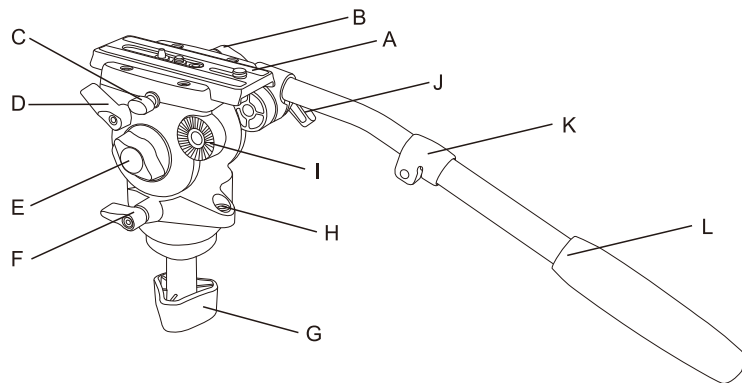
4. Adjusting pan position

Loosen the pan locking knob "I" to change the pan position. Tighten the knob to lock the pan position.



PARTS (EH630)

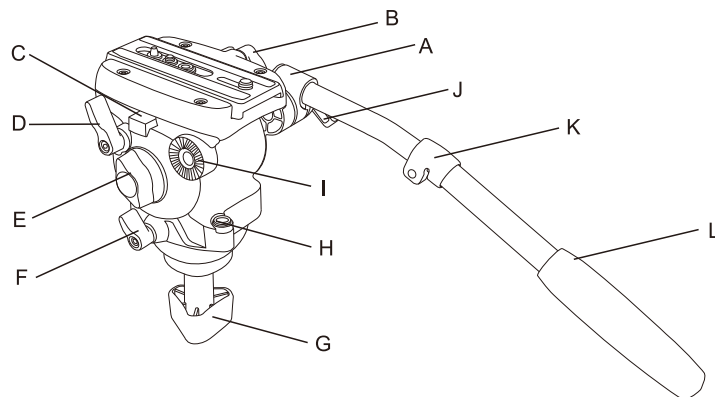
Model No.	Bowl size	Net weight	Load capacity	Grades of drag	Counterbalance	Tilt range	Temperature range
EK630	75mm	4.8kg	4kg	Fixed/Variable	Fixed	+90° ~ -50°	-40°C ~ 80°C



- A..... Quick release plate
- B..... Plate locking knob
- C..... Insurance button
- D..... Tilt locking knob
- E..... Tilt drag adjusting knob
- F..... Pan locking knob
- G..... Bowl locking knob
- H..... Bubble level
- I..... Connection part of handle&head
- J..... Pan bar locking knob
- K..... Length adjusting knob
- L..... Pan bar

PARTS (EH650)

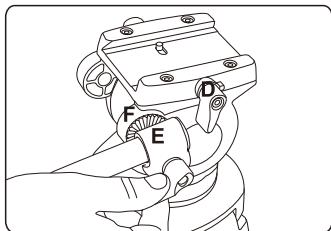
Model No.	Bowl size	Net weight	Load capacity	Grades of drag	Counterbalance	Tilt range	Temperature range
EK650	75mm	4.1kg	5kg	Fixed/Variable	Fixed	+90° ~ -60°	-40°C ~ 80°C



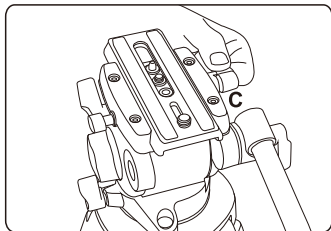
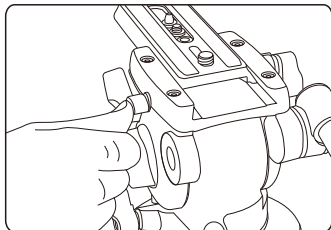
- A..... Quick release plate
- B..... Plate locking knob
- C..... Insurance button
- D..... Tilt locking knob
- E..... Tilt drag adjusting knob
- F..... Pan locking knob
- G..... Bowl locking knob
- H..... Bubble level
- I..... Connection part of handle&head
- J..... Pan bar locking knob
- K..... Length adjusting knob
- L..... Pan bar

1. Install Pan Handle

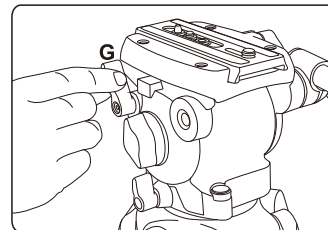
Place the pan handle "E" in the desired position on the pan handle mounting rosette "F", then secure it by tightening pan handle locking thumb screw "D".

**2. Removing quick release plate**

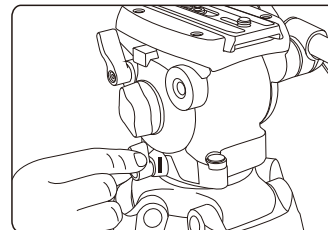
Loosen the quick release plate locking knob "B", then press the quick release plate release button "C" while sliding the plate to wards the back of the head.

**3. Adjusting tilt position**

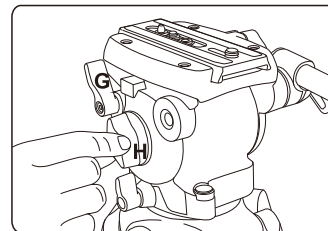
Loosen the tilt locking knob "G" to change tilt position. Tighten the knob to lock the tilt position.

**4. Adjusting pan position**

Loosen the pan locking knob "I" to change the pan position. Tighten the knob to lock the pan position.

**5. Tilt Drag Adjustment**

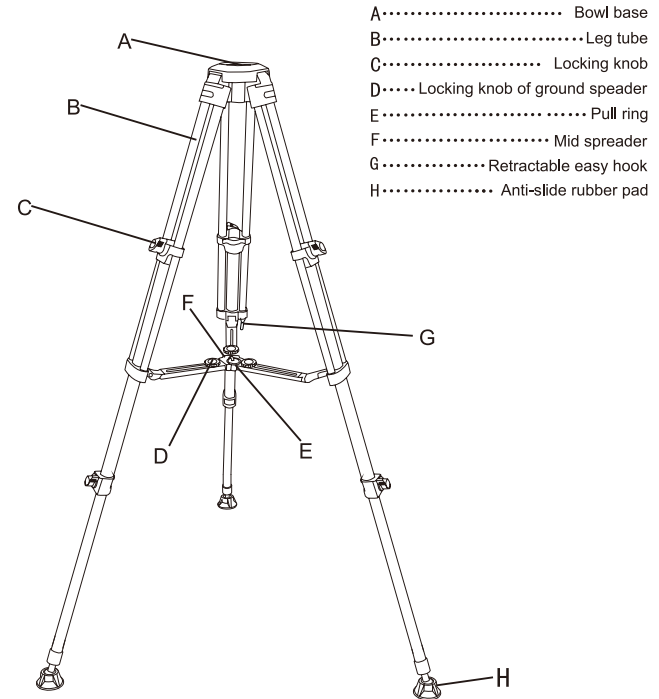
Increase tilt drag by turning the tilt drag adjustment knob "G" clockwise (as if tightening a screw). Reduce the tilt drag by turning the knob "H", counter-clockwise (as if loosening a screw).





EIMAGE GENTING series is upgraded generation of EIMAGE tripods. The tripod legs are all made up of high grade aluminum or carbon fiber material. With newly designed lock system and patent locking mechanism, it provides excellent hand feeling, quick and secure locking. With standard 75mm or 100mm bowl, you can attach any professional video heads on the tripods. All tripods can match with mid spreader or ground spreader, just up to your needs. They also can be installed on dollies to provide fast moving. The new tripods are compact when closed, easy to transport with carrying case.

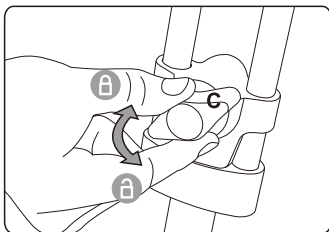
Model No.	Bowl Size	Description	Height Range	Transport length	Weight	Payload rang
AT610	65mm	Aluminum	650-1510mm	695mm	3.3kg	40kg



1. Loose lock leg tube

Loose: turn locking knob "C" anti-clockwise

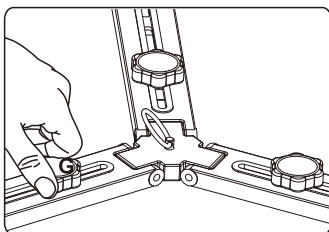
Lock: turn locking knob "C" clockwise



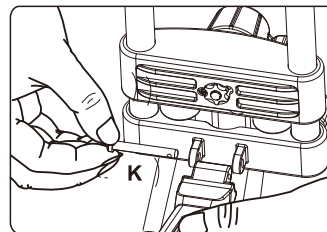
! Important message: before unfold the tripod, please loose all the locking knobs "C", then adjust it to your requested length and lock it.

2. Adjusting the Mid-Level Spreader

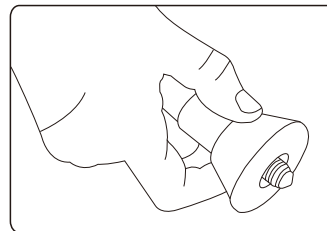
To make adjustments to the mid-level spreader, loosen the locking knob "G" and reposition the leg attached to that section of the spreader. When the adjustment is made, tighten the knob to re-secure the spreader.



If you don't need mid-level spreader, pull out the locking bolts "K" of 3 arms and remove it.

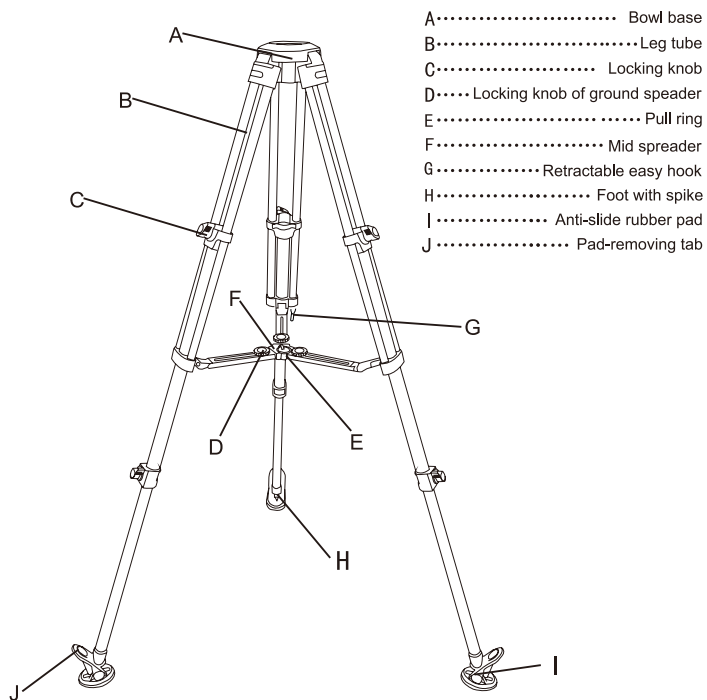
**3. Anti-slide rubber feet**

Rubber Feet with Retractable Spikes.



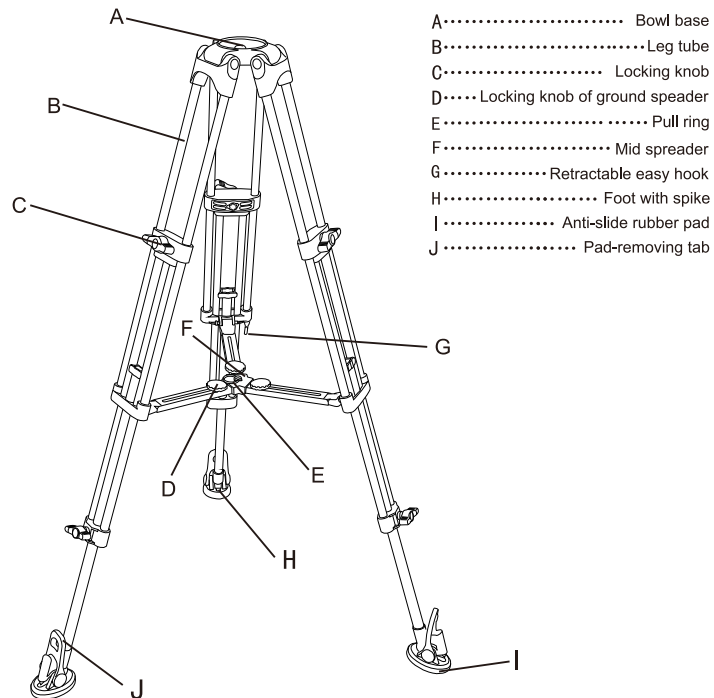
PARTS (AT630)

Model No.	Bowl Size	Description	Height Range	Transport length	Weight	Payload rang
AT630	75mm	Aluminum	780-1380mm	820mm	2.9kg	40kg



PARTS (GA752S)

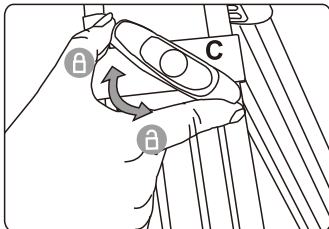
Model No.	Bowl Size	Description	Height Range	Transport length	Weight	Payload rang
GA752S	75mm	Aluminum	780-1380mm	820mm	2.6kg	40kg



1. Loose lock leg tube

Loose: turn locking knob "C" anti-clockwise

Lock: turn locking knob "C" clockwise

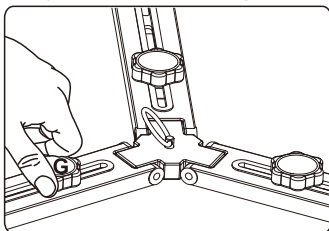


❗ Important message: Adjust tripod height

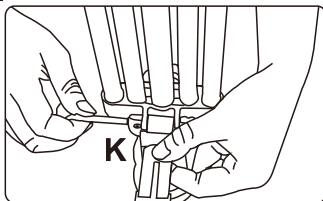
Loose all the locking knobs and extend the legs to your request height, then lock knobs tightly.

2. Adjusting the Mid-Level Spreader

To make adjustments to the mid-level spreader, loosen the locking knob "G" and reposition the leg attached to that section of the spreader. When the adjustment is made, tighten the knob to re-secure the spreader.

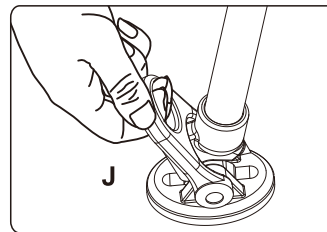


If you don't need mid-level spreader, pull out the locking bolts "K" of 3 arms and remove it.



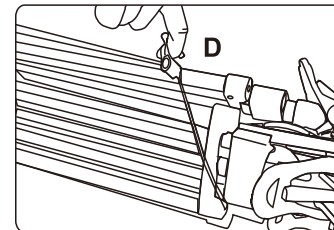
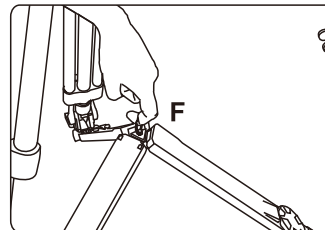
5. Install & Remove ground spreader

Illustration as follow pictures, pull the pad-removing tab "J", separate anti-sliding pad with leg.



6. Folding tripod

- Loose the locking knobs of each stages and adjust the legs to minium length, then locking all the knobs.
- Adjust the mid-spreader or ground-spreader to minum length, then locking all the knobs.
- One hand catch the bowl base, another hand pull the ring of ground spreader "F" and fold it. Then pull out retractable easy hook "D" and wrap around legs and bind them together.





Daily maintenance:

Storage and transport:

- When not using head for a long time, please turn all the knobs to the minimum.
- When not using tripod, please don't place vertically to avoid the broken
- When not using tripod or transportation, please keep it in the carry bag.

Function inspection:

- Please check the tripod payload and head locking condition, in order to avoid the accident
- Please check and adjust tripod and head locking condition regularly, in order to increase service life.

Cleaning & Maintenance:

- 1.Using a regular with a lint-free cloth to clean tripods.
- 2.Please keep it in carrying case if not use it for long time.
- 3.Using a semi-stiffe brush or vacuum

Always engage safety locks and devices where applicable on the products.

Don't use product at temperatures less than -30° or more than 60° .
Cleaning with mild detergent and a soft cloth. Remove dust and sand from all locking threads and sliding segments.
Dry the product after use in wet conditions.

IMPORTANT;Not recommended to use in seawater

If any questions during using process, please read the instruction carefully or ask help from your local distributor.

In the event on the product becoming defective, the unit should be returned to an authorized E-IMAGE service agent.