

# PIPE-500-SERIES

## 200 lb. WLL

OVERHEAD TELESCOPING PIPE ATTACHMENTS

OVERHEAD



The PIPE-500-Series offers installers the ability to lower and raise items that are suspended from above. There are 3 different lengths to choose from, the PIPE-500-1015 (10 to 15"), the PIPE-500-1422 (14 to 22") and the PIPE-500-2030 (20 to 30").

Adaptives PIPE-500-SERIES works with a variety of our overhead mounting products such as our unistrut mounting product line as well as wood and metal beam clamps.



### STANDARD FEATURES:

- ▶ Telescoping pipe offers multiple positions
- ▶ Adapts to multiple overhead mounts.
- ▶ 3/4" incremental adjustment

### OPTIONAL ACCESSORIES:

- ▶ Ceiling Attachments - See Datasheet
- ▶ Pipe Extensions - See Datasheet

### SPECIFICATIONS:

**Material:** Structural Steel Sched 40 Pipe

**Finish:** Powder Coat

**Color:** Black

**WLL:** 200 lb. (90.7 Kg) max.

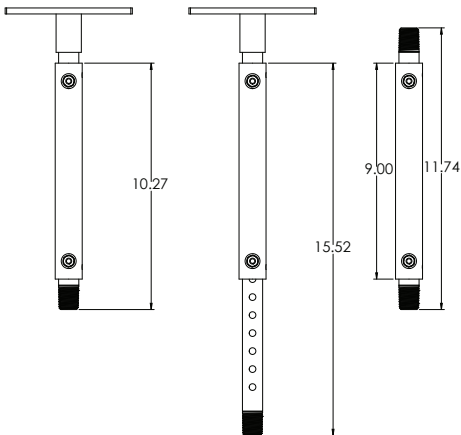
**Design Factor:** 7:1 ratio

### PACKAGE CONTENTS:

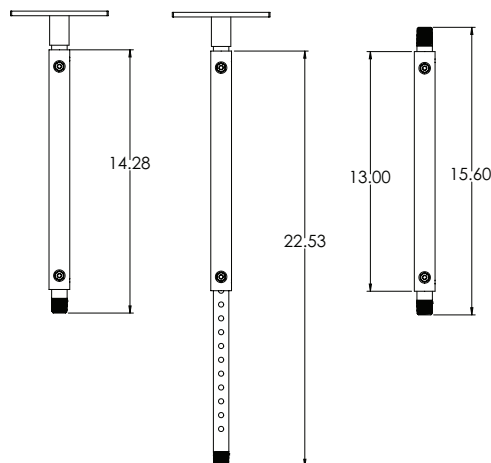
**1pc** Telescoping Pipe

**1pack** Hardware Kit

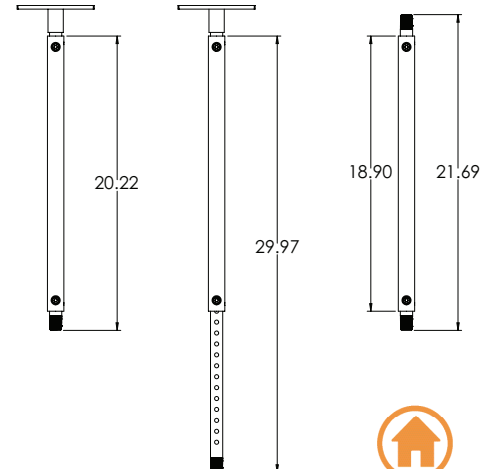
### PIPE-500-1015 Dimensions



### PIPE-500-1422 Dimensions



### PIPE-500-2030 Dimensions



Rated for indoor use.

### ALWAYS INSTALL SAFETY CABLES

**WARNING:** Mounting and/or suspension of audio and video equipment requires experienced professionals. Improperly installed loudspeakers can result in property damage, personal injury and/or liability to the installing contractor.