



# XY-81

XY Series

## 8-inch two-way loudspeaker

A versatile PA/monitor speaker series that is compact in size and perfect for near-field monitoring - yet can deliver high-quality sound to the corners of the room. Boasts multiple rigging options for easy set up.

### KEY FEATURES

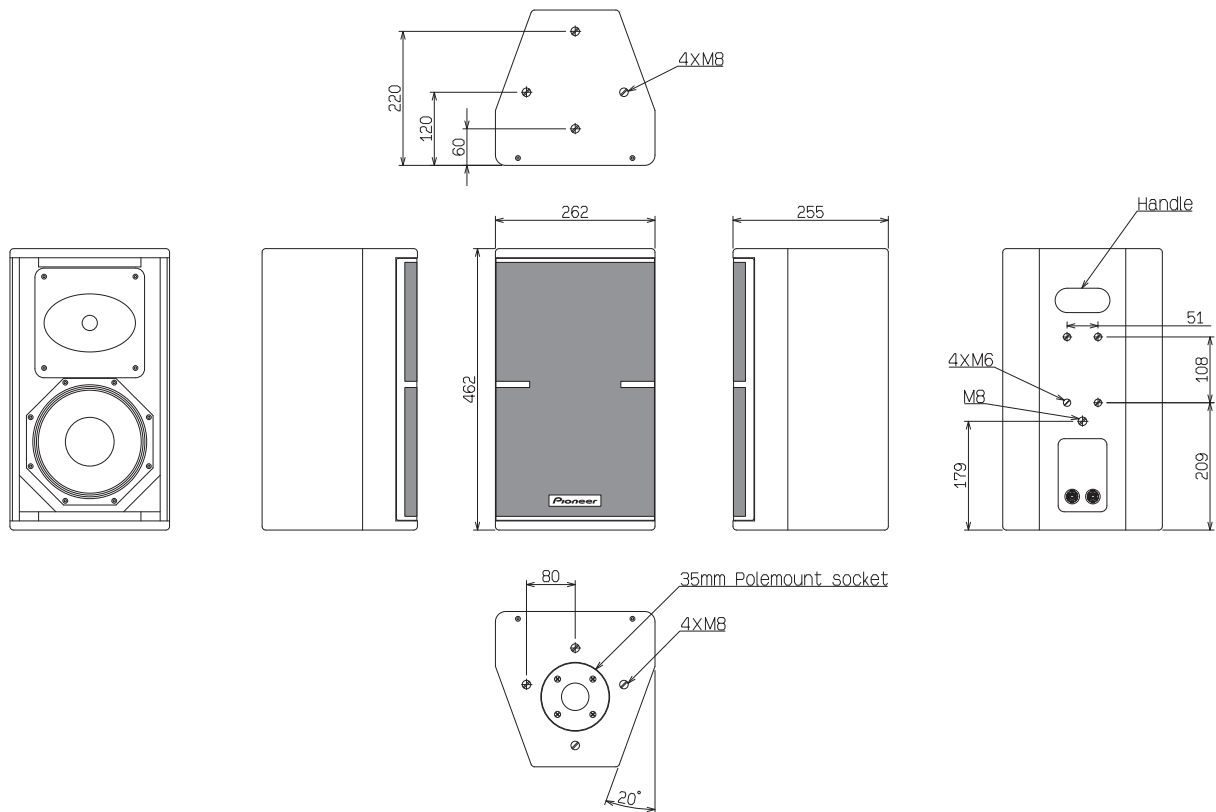
- Two-way full range speaker with 8-inch LF driver and a 1-inch compression driver.
- Passive crossover board features separate cooling zones to ensure safe and continuous operations in the toughest environments.
- Wide dispersion of 90 × 60 degrees, with rotatable horn for horizontal installation.
- Designed for fixed and mobile applications, with a wide array of flying options.
- Features top hats for quick set-up.
- NL4 INPUT and LINK OUT connections as standard.
- Robust enclosure made from premium multi-laminate birch plywood.
- Impact resistant textured paint finish.

## SPECIFICATIONS

Enclosure type	Two-way passive, reflex-loaded
Sensitivity (1 W/1 m)	91 dB
Nominal Impedance	8 Ω
Power Handling	350 W RMS, 700 W Program
Maximum SPL	116 dB cont., 122 dB peak
Dispersion	90 °H × 60 °V, Rotatable
Driver Configuration	8 inch (200 mm) LF cone driver, 1 inch (25 mm) exit neodymium HF compression driver
Crossover	Asymmetric internal passive crossover
Connectors	2 × Neutrik SpeakON™ NL4
Dimensions (W × H × D)	262 mm × 462 mm × 255 mm (10.3 inch × 18.2 inch × 10 inch)
Weight	12 kg (26.5 lbs)
Rigging and Hardware	8 × M8 threaded mounting points (4 top/4 bottom), 1 × M8 threaded mounting points on rear, 4 × M6 threaded points on rear (for wall mount bracket), 1 × flush handle on rear, 1 × 35 mm polemount socket
Grille	Hex punched steel
Enclosure	15 mm (0.6 inch) birch plywood
Finish	Impact-resistant, Black semi-matt textured
Suggested Power Amplifier	Recommended : K2DSP Minimum : M20DH DSP
Accessories	polemount socket cover (-W model only)

# XY-81

## TECHNICAL DRAWING



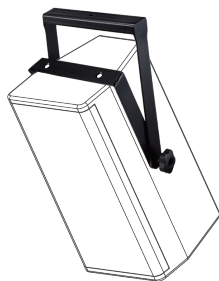
## APPLICATION

Clubs / Bars / Hotels / Touring

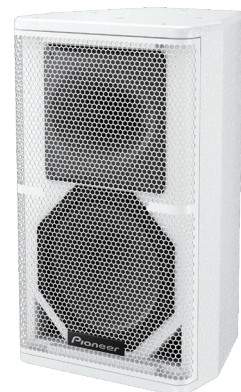
## ACCESSORIES



CP-XY8HC1



CP-XY8VC1



XY-81-W