



Type(s)
Project
Date
Notes

GENERAL INFORMATION

The Pro One-Cell High Output is a single-cell solution that is ideally suited for areas that require medium- to long-throw illumination. With a high grade, painted metal construction, the Pro One-Cell High Output delivers the quality performance of the smaller one-cell luminaires but with a significantly greater output.

The Pro One-Cell High Output luminaire requires a direct connection to the D1HO Driver (see separate datasheet). In conjunction with the driver unit, the luminaire can be dimmed using either a wired-DMX connection or the onboard wireless ArcMesh protocol. Alternatively, a wired-only DMX/RDM version of the D1HO driver is available for applications where wireless control and configuration is not required.

ArcSystem has been specifically developed for auditorium lighting applications where high-quality, extremely accurate and smooth dimming is required. The use of onboard device management in the driver allows all fixtures to be addressed remotely, ensuring fast and simple installation.

GENERAL INFORMATION

APPLICATIONS

- Auditoriums
- Work lights
- Lobbies
- Houses of worship
- Retail
- Museums
- Studios

PRODUCT FEATURES

- Wired-DMX or wireless (ArcMesh) control protocols
- Wired-only DMX/RDM option available
- Stepless smooth dimming to blackout
- Convection cooled
- Fan-free, silent operation
- Multiple color-temperature and fixture color options

ORDERING INFORMATION

ArcSystem Pro One-Cell High Output

MODEL	COLOR TEMP	BEAM ANGLE	FIXTURE COLOR	MOUNTING
ARCP1H	2 - 2700 K 3 - 3000 K	24 - 24° 37 - 37° 50 - 50°	W - White B - Black C - Custom	A - Recessed Adjustable Y - Yoke

To complete the form, simply select an option at the bottom of each column to populate the last row with your desired part number.

Color Options: Fixtures ship standard in black or white. For additional colors please contact ETC.



PRODUCT SPECIFICATIONS (PRO ONE-CELL HIGH OUTPUT)

Source

LED details	Lumiled 1321 CoB
Max field lumens	8,723 (3000 K 50°)
Max total lumens	9,965 (3000 K 24°)
Lumens per watt	99
L70 rating (hours to 70% output)	50,000 hours

Color

Colors used	Fixed white
Color temperature range	2700 K/3000 K
Fade to warm	N/A

Optical

Beam angle range	24/37/50
CRI	>90
TM-30-18 data	Refer to ArcSystem photometry guide
Photometry data	See below of refer to ArcSystem photometry guide

Control (via separate driver)

Input method	DMX-512 via RJ45 connector
Protocols	DMX, ArcMesh wireless, RDM (option)
Modes (footprint)	1-channel
RDM configuration	Yes (with RDM driver option)
UI type	PC config app for ArcMesh option
Local control	No
Notes	ArcMesh wireless control requires optional TX1 transmitter



Electrical

Voltage range	48 VDC Max (requires separate D1HO driver to operate)
Input method	2-position (2-pole) 7 A Molex connector with hard-wired 40 in (1 m) power cord
Inrush (inc driver)	65 A (first half-cycle) at 120 V
Wattage (max inc driver)	100 W / <3 W
Current draw (inc driver)	0.83 A at 120 V
DC drive current	2.3 A at 48 VDC
Max cable length from driver to luminaire	1 m (39.4 in)

Thermal

Ambient operating temp	0°–40°C (32°–104°F)
Fan (controllable)	N/A (convection cooled)
BTUs/hour	341

Physical

Materials	Die-cast aluminum and cold-rolled steel
Color options	Black, white or custom color
Mounting options	Recessed with spring clips (for 3–24 mm thick ceilings) or Yoke mounted
Maximum fixture tilt	45°
IP rating	IP-20 (dry locations only)
Weight (adj / fixed / yoke)	1.58 kg (3.48 lb)
Min/Max Ceiling Thickness	3–24 mm
Minimum Luminaire Installation Spacing	The Pro One-Cell HO Luminaire must be installed with the following minimum spacings: Center to Center of adjacent luminaires: 610 mm (24 in) Top of luminaire to overhead building member: 76.2 mm (3 in) Luminaire center to side building member: 305 mm (12 in)

Warranty

Full fixture	5 years
LED array	10 years

Regulatory and Compliance

Approved regulatory standards	cETLus Listed Conforms to ANSI/UL STD.2108 Certified to CSA STD. C22.2 No: 250 Recessed fixtures additionally conform to ANSI/ UL STD. 2043
-------------------------------	--

RECESSED CEILING BRACKET



The optional recessed ceiling bracket can be used to install the Pro One-Cell High Output luminaire and its companion D1HO driver into a drop ceiling or for rough-in use. See Pro One-Cell Recessed Ceiling Bracket datasheet for more details.

MODEL NUMBER	DESCRIPTION
ARCP1RCB	ArcSystem Pro One-Cell Recessed Ceiling Bracket

D1HO DRIVERS



ArcSystem Pro One-Cell High Output fixtures require an external ArcSystem D1HO driver to operate. See separate datasheet or visit etcconnect.com/ArcSystem for additional information.

PHOTOMETRY

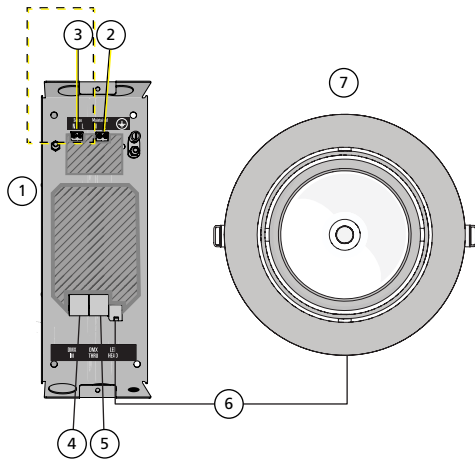
Lumen table

COLOR TEMP	BEAM ANGLE	FIELD ANGLE	FIELD LUMENS	TOTAL LUMENS	MAX CANDELA
2700 K	24°	72.6°	7,639	9,334	23,320
2700 K	37°	75.6°	8,118	9,272	18,550
2700 K	50°	77.8°	8,209	9,125	16,030
3000 K	24°	72.6°	8,142	9,965	25,170
3000 K	37°	75.6°	8,537	9,738	19,540
3000 K	50°	77.8°	8,723	9,687	17,060

IES light files are available on request for all beam angles of ArcSystem.

Full photometry and color information for the ArcSystem family is available in the [ArcSystem Photometry and Color Info Guide](#).

D1HO DRIVER WIRING DIAGRAM



	Description	Notes
1	ArcSystem Pro D1HO Driver	ARCPDH1D ARCPEDH1D (Emergency)
2	Maintained input power	0.5–10 mm ² (22–6 AWG) line/neutral 2.5–10 mm ² (6–14 AWG) ground 100–277 VAC, 50/60 Hz ARCPDH1D: normal branch circuit ARCPEDH1D: normal/emergency branch circuit from UL1008 automatic transfer switch (ATS) by others
3	Sense input power (emergency models only)	0.5–10 mm ² (22–6 AWG) line/neutral 2.5–10 mm ² (6–14 AWG) ground 100–277 VAC, 50/60 Hz, normal branch circuit (ARPEDH1D only)
4	DMX input from external DMX source	RJ45 connector, Cat5e (or equivalent) 0.2 mm ² (24 AWG) or larger conductors terminated to T568B standard
5	DMX thru to another ArcSystem Pro Driver or other device	RJ45 connector, Cat5e (or equivalent) 0.2 mm ² (24 AWG) or larger conductors terminated to T568B standard
6	Luminaire cable	18 AWG with Molex KK connector, provided attached to luminaire.
7	ArcSystem Pro One-Cell High Output luminaire ARCP1H	

PHYSICAL

Pro One-Cell High Output Dimensions

MODEL	HEIGHT		WIDTH		DEPTH	
	in	mm	in	mm	in	mm
Adjustable*	6.09	155	7.8	198	7.8	198
Yoke	7.62	194	7.17	182	7.17	182

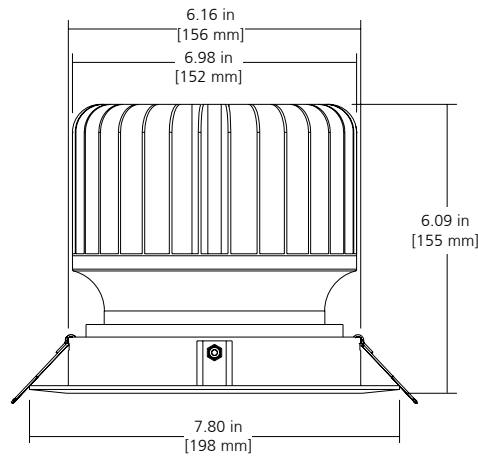
*Recommend hole cut-out: 165 mm (6.5 in)

Pro One-Cell High Output Weights

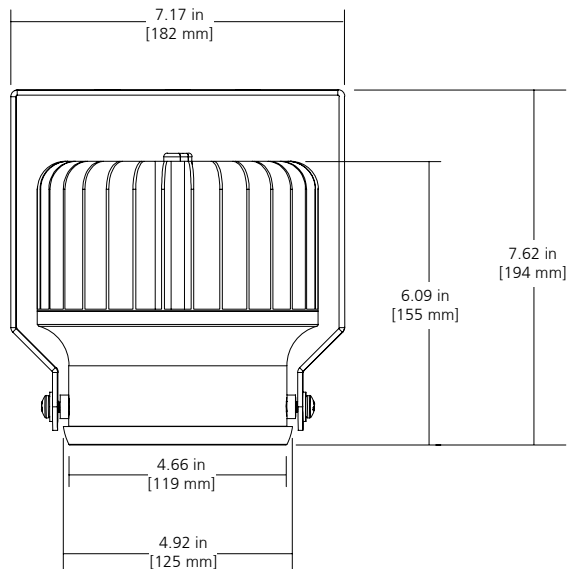
MODEL	WEIGHT		SHIPPING WEIGHT	
	lb	kg	lb	kg
Adjustable*	3.48	1.58	4.6	2.09
Yoke	3.50	1.59	5.2	2.36

*Does not include mounting hardware

PRO ONE-CELL HIGH OUTPUT ADJUSTABLE



PRO ONE-CELL HIGH OUTPUT YOKE



Corporate Headquarters • Middleton, WI USA
 Global Offices • London, UK • Rome, IT • Holzkirchen, DE • Paris, FR • Hong Kong
 Dubai, UAE • Singapore • New York, NY • Orlando, FL • Los Angeles, CA • Austin, TX
 Copyright©2021 ETC. All Rights Reserved. All product information and specifications subject to change. Rev D 2021-03
 *Trademark and patent info: etconnect.com/IE