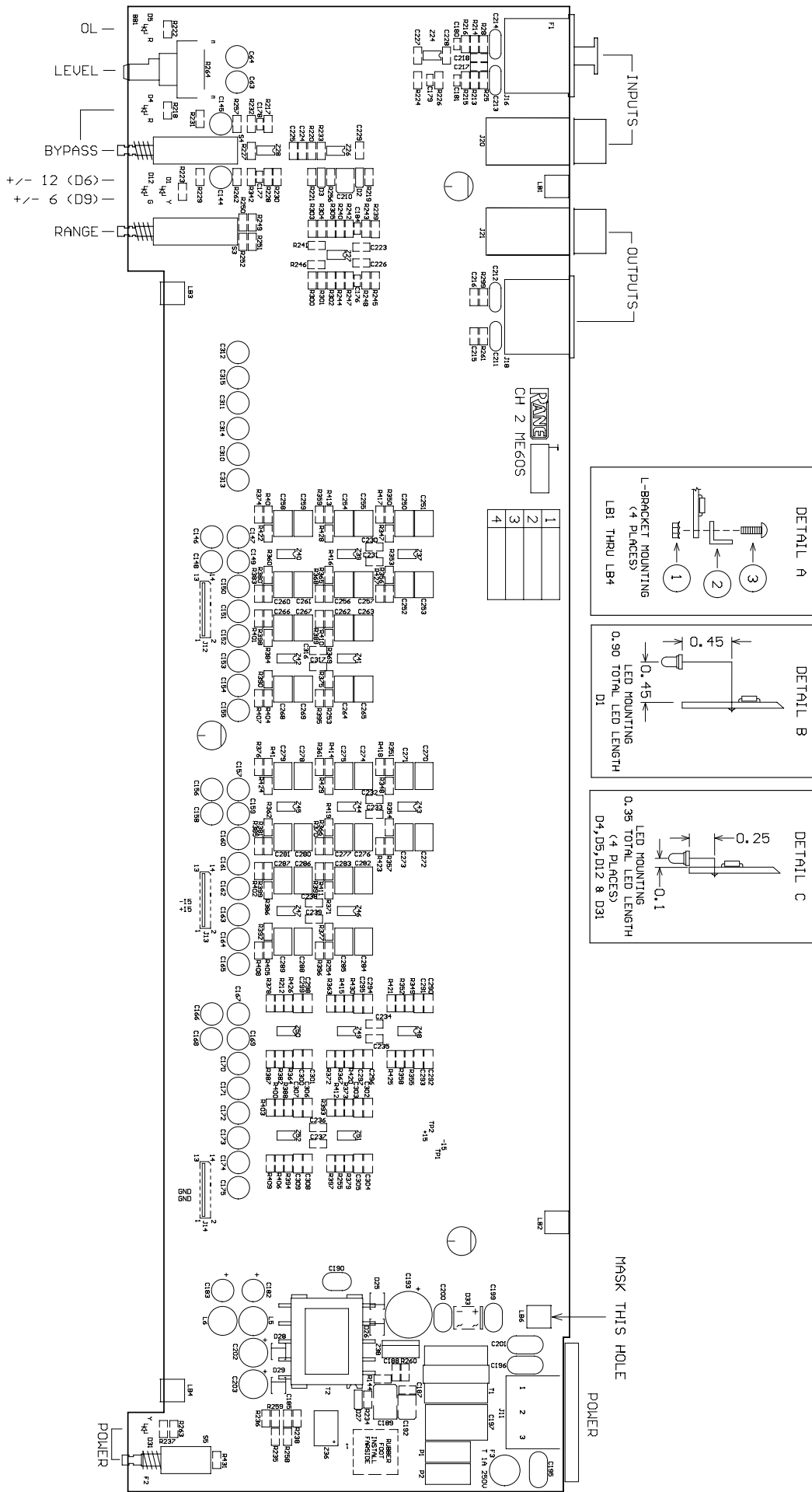


PREP NOTES:  
MASK LB1 AND LB2

**RANE**  
CH 1 ME60S  
P/N 16402

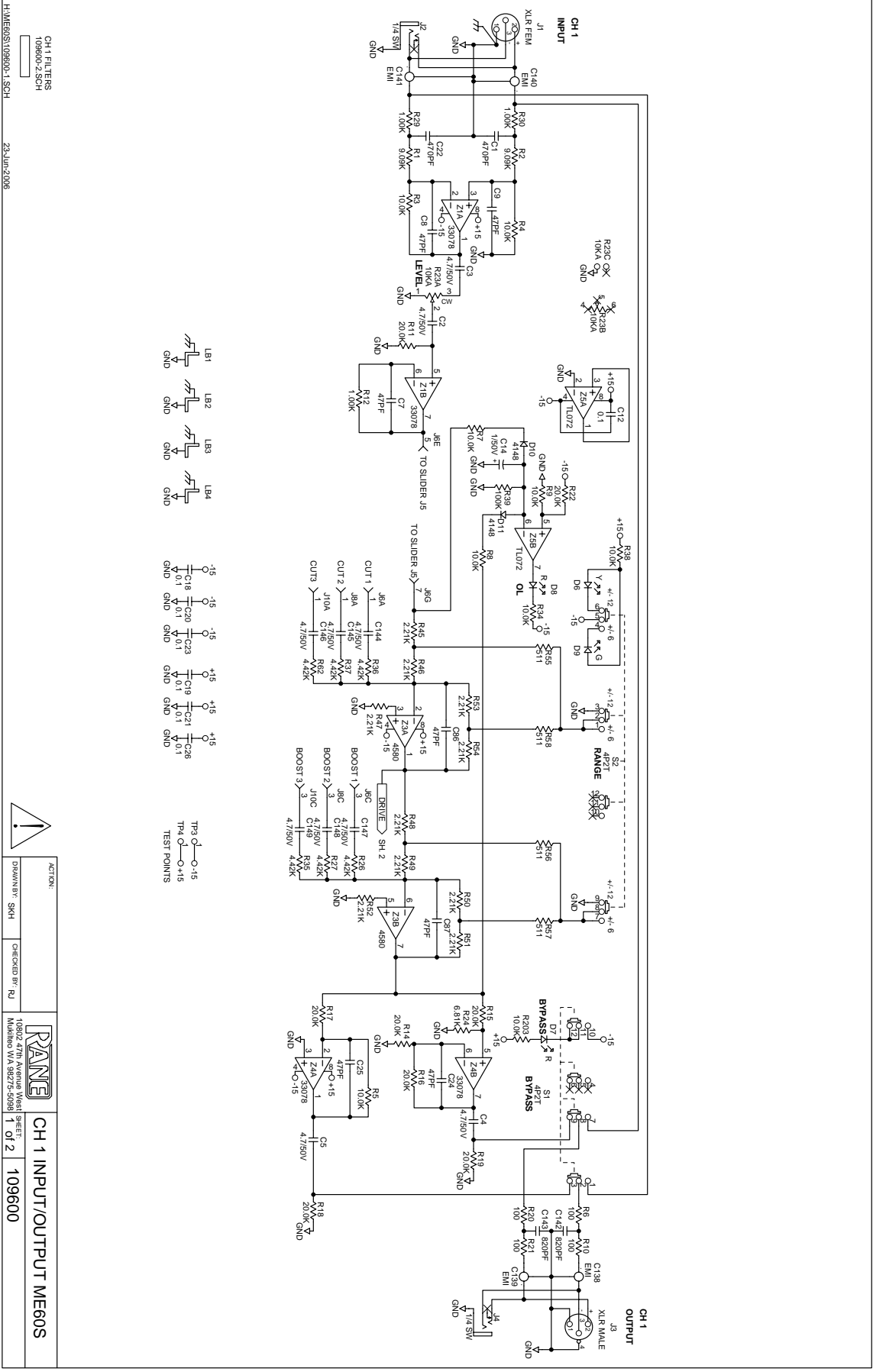
1
2
3
4





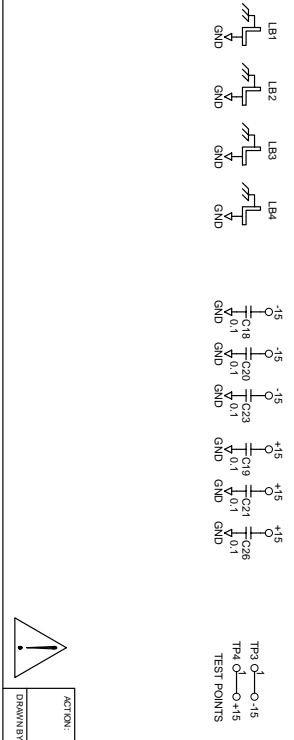
Rane Corp. (425) 355-6000  
 109659 DES CH2 ME605  
 ACTION: NEW PRODUCT 21JUN06 SKH



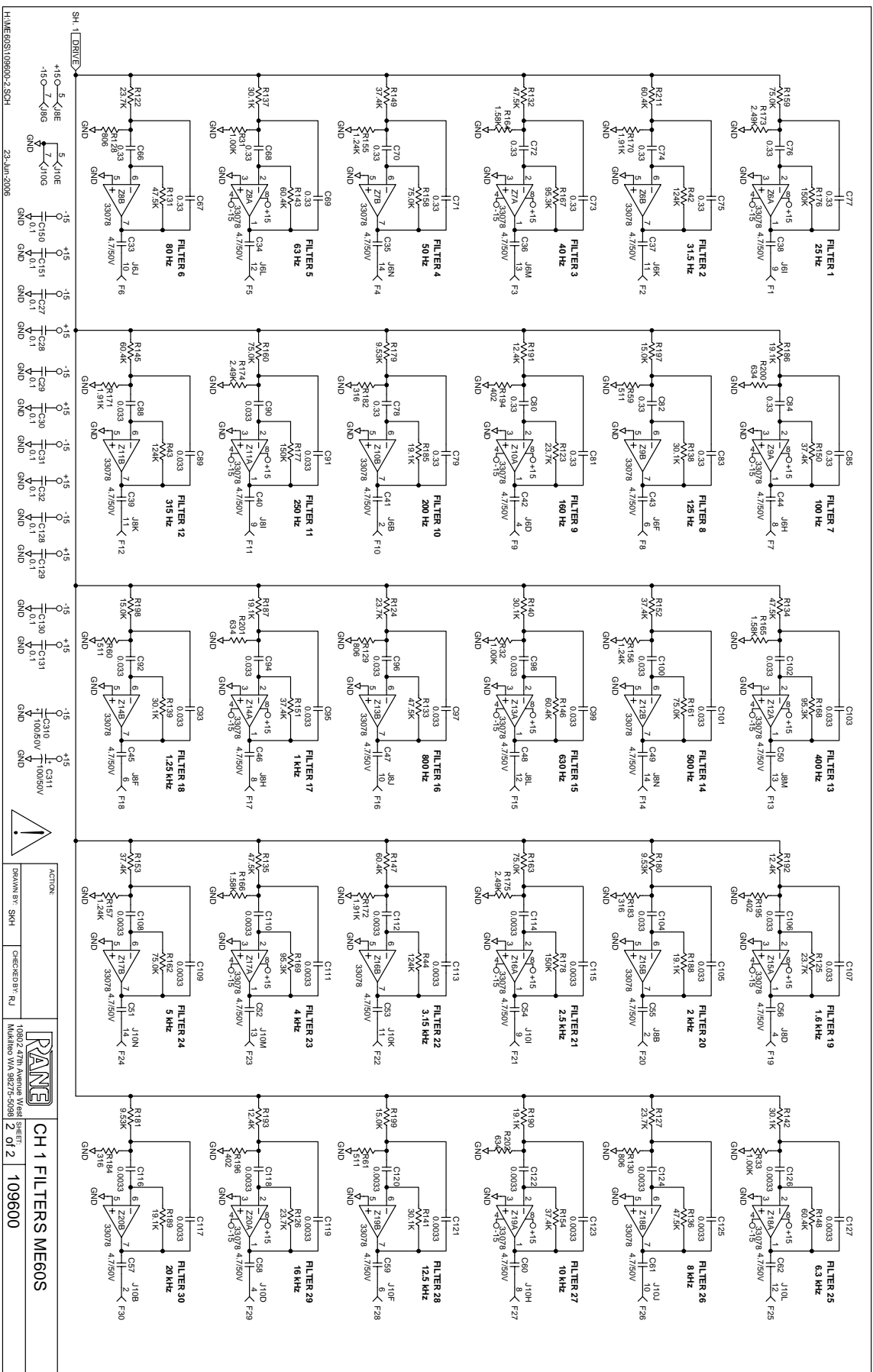


CH 1 FILTERS  
109600.2.SCH

23 JUN 2008



ACTION:	
DRAWN BY:	SKH
CHECKED BY:	RJ
10802 4TH AVENUE WEST SHEET NUMBER 174 582 9 508 1 01 2 109600	
<b>CH 1 INPUT/OUTPUT ME605</b>	

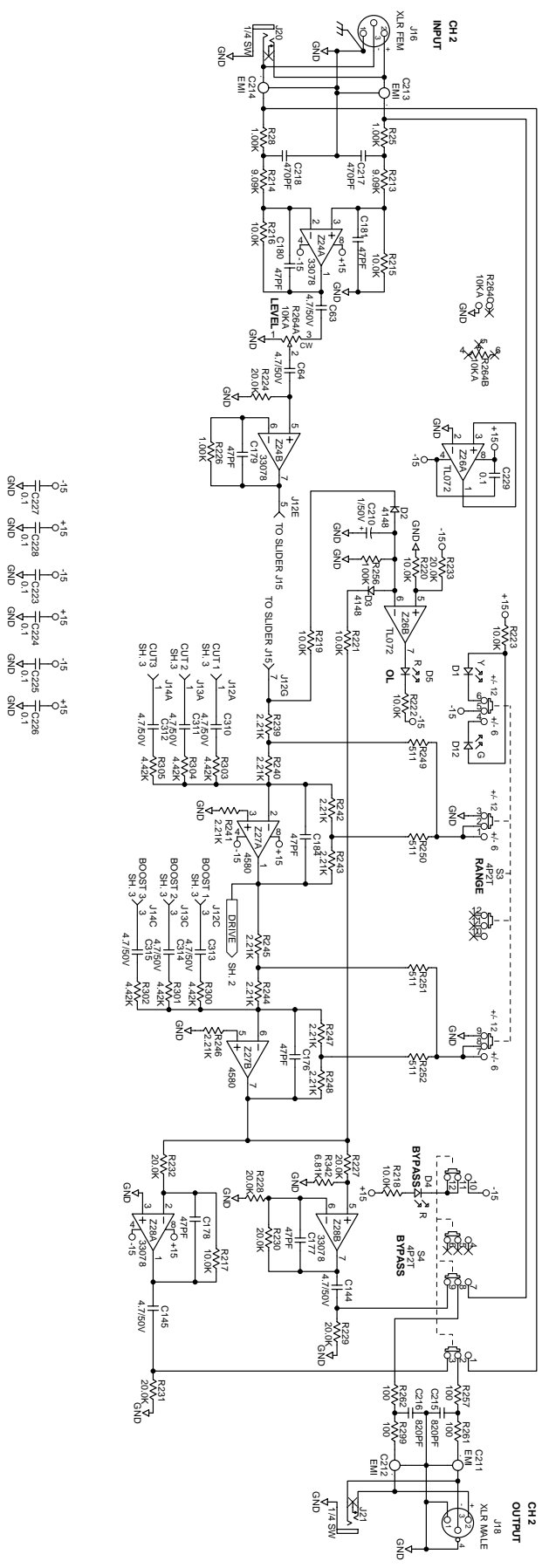


H:\MFG\1096600-2-SCH 23-Jun-2008

ACTION:  
 DRAWN BY: SKH  
 CHECKED BY: RJ

1096600-2  
 47th AVENUE  
 RANEE  
 MANASSAS, VA 20108-2508  
 SHEET 2 OF 2  
 1096600

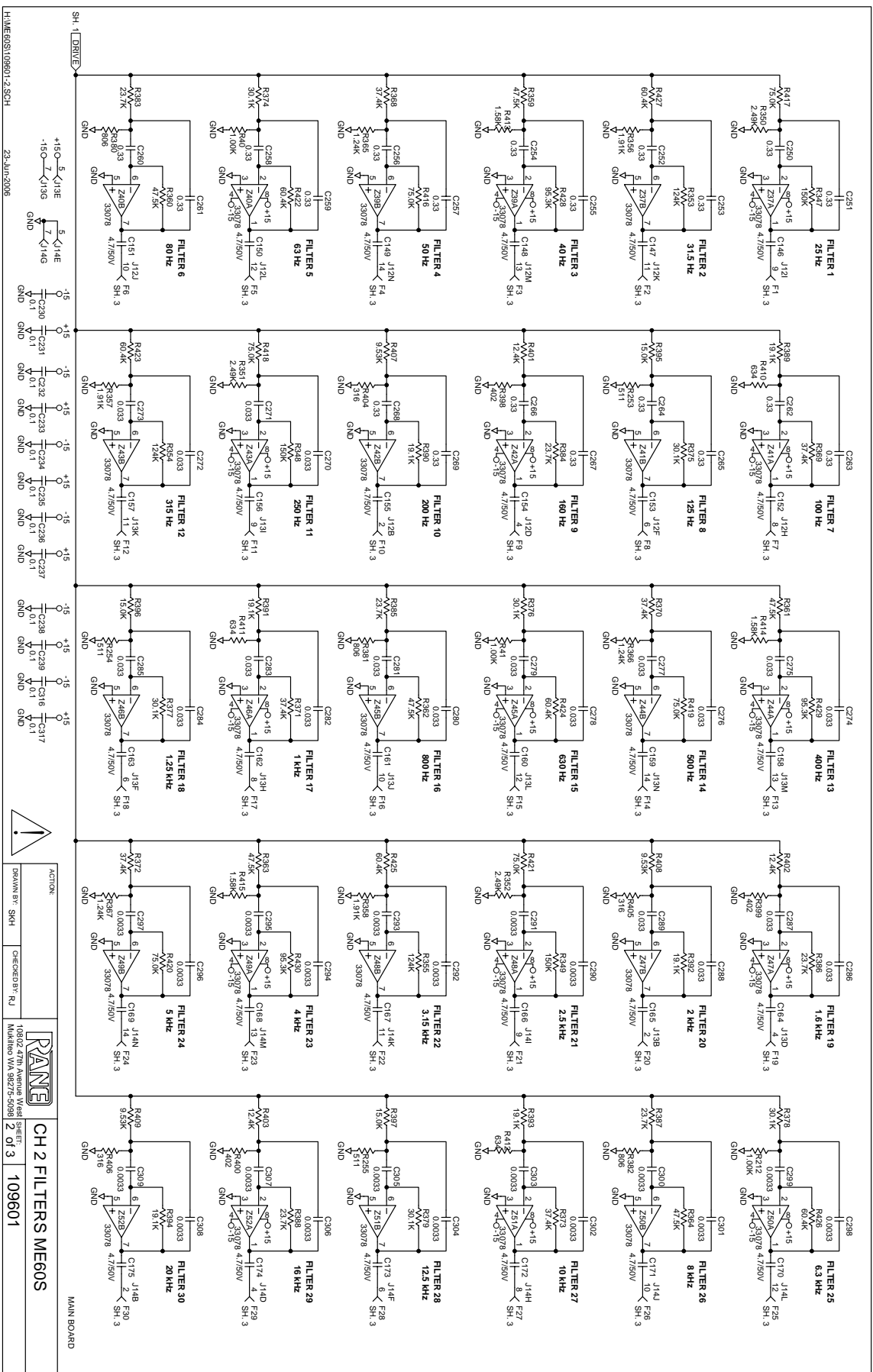
CH 2 FILTERS POWER SUPPLY  
 109601-2.SCH 109601-3.SCH



ACTION: DELETED R226, C86  
 Z27 WAS 30078, R219 WAS HOOKED  
 TO J12, Z1JUN06 SKH  
 DRAWN BY: SKH  
 CHECKED BY: RJ



11802 47th Avenue West  
 BUREAU VIA 8623-5088  
 SHEET 1 OF 3  
 CH 2 INPUT/OUTPUT ME60S  
 109601



SH - DRIVE

+5V C19E 5V J14E  
-15V C13G 7V J14G  
GND

-15V C230 0.1V  
+5V C231 0.1V  
-15V C232 0.1V  
+5V C233 0.1V  
-15V C234 0.1V  
+5V C235 0.1V  
-15V C236 0.1V  
+5V C237 0.1V

-15V C238 0.1V  
+5V C239 0.1V  
-15V C236 0.1V  
+5V C237 0.1V

-15V C238 0.1V  
+5V C239 0.1V  
-15V C236 0.1V  
+5V C237 0.1V

-15V C238 0.1V  
+5V C239 0.1V  
-15V C236 0.1V  
+5V C237 0.1V

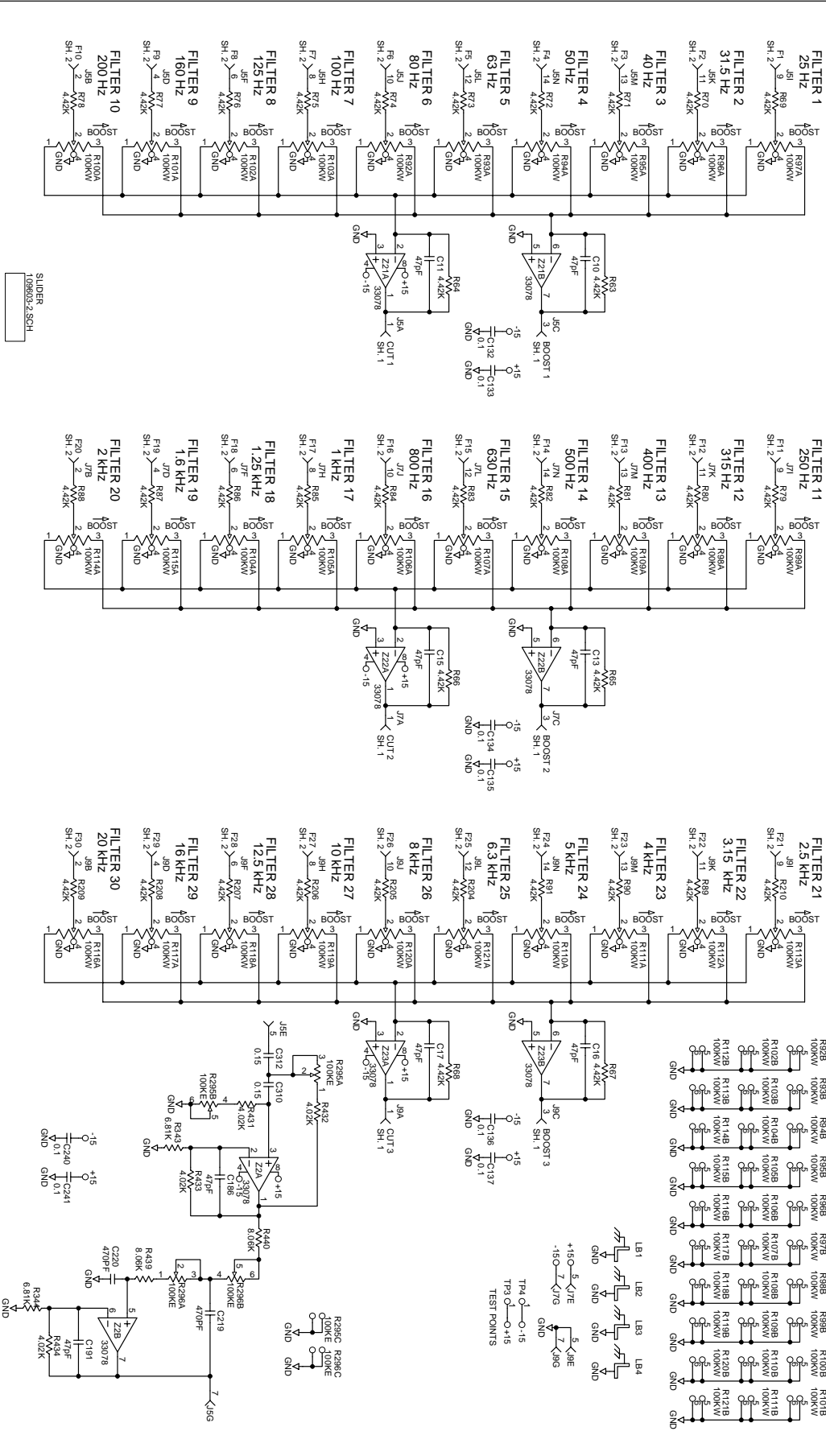
23-Jun-2008



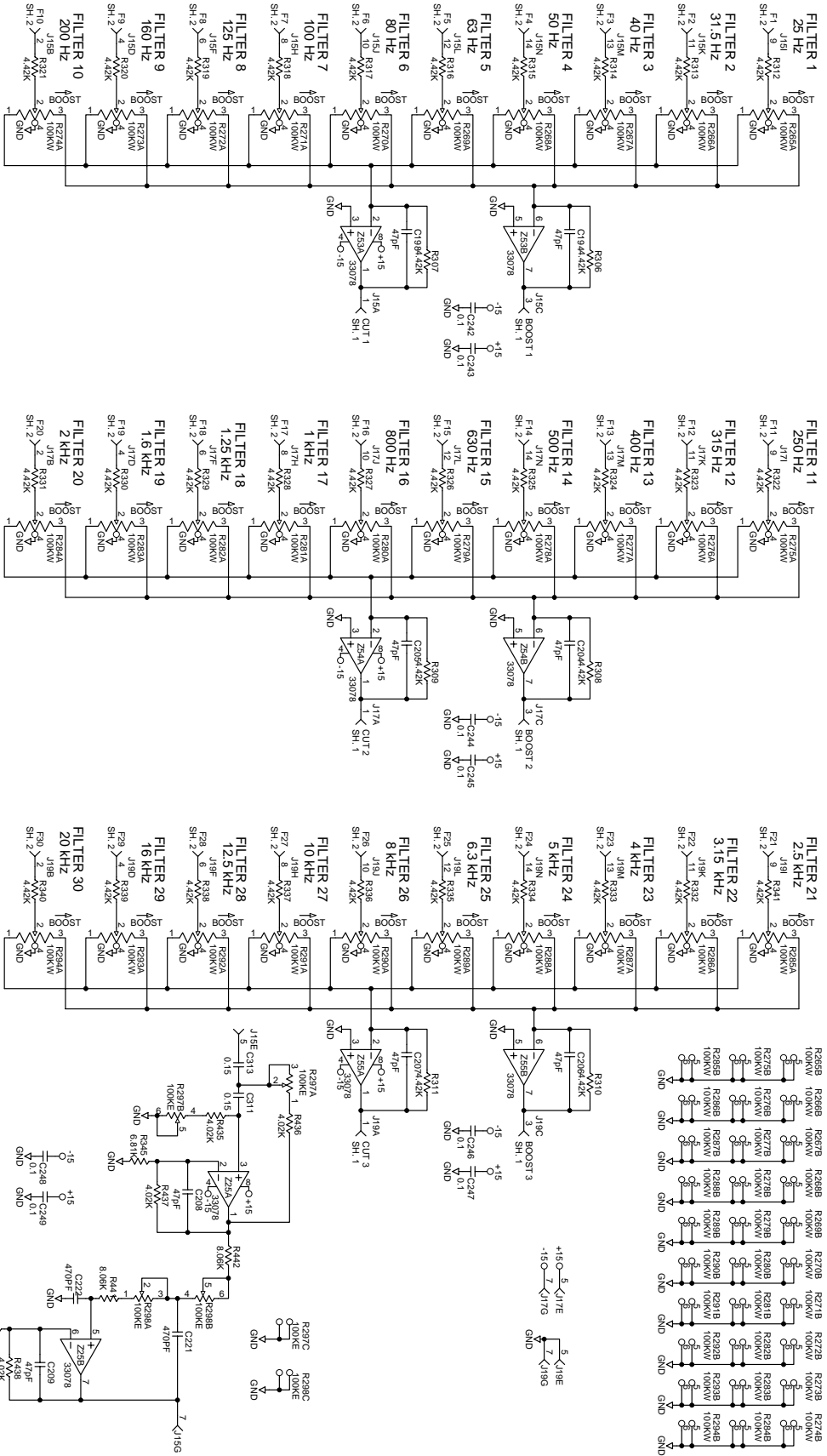
ACTION:  
DRAWN BY: SKH  
CHECKED BY: RJ

10802Z 47th AVENUE VENTURA  
SHEET 1  
NUMBER 1VA 588725 5088  
2 01 3 109601

MANUFACTURED BY: RANE  
CH 2 FILTERS MEG60S  
MAIN BOARD

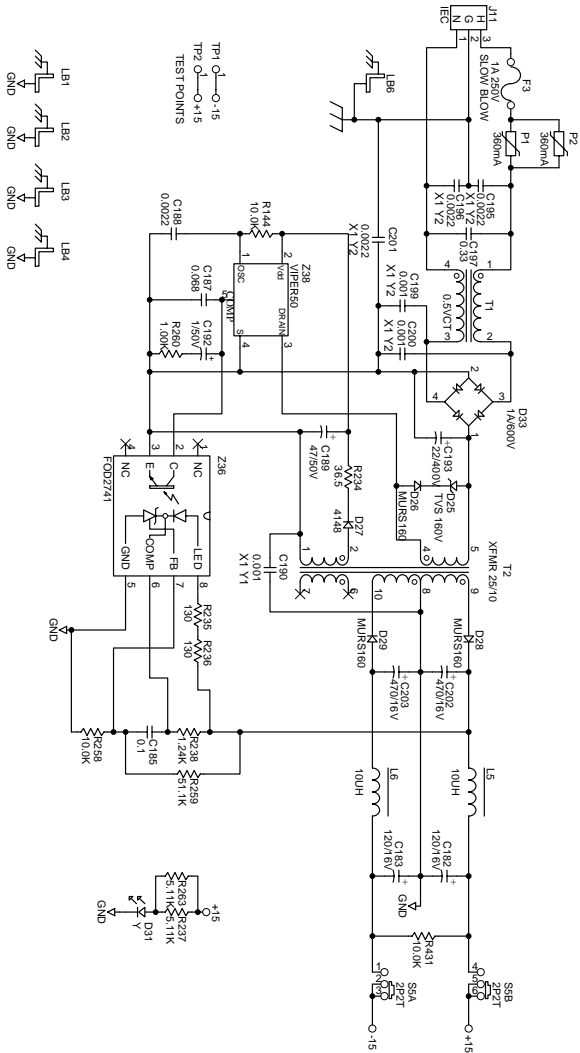


ACTION	DRWING BY SKH	CHECKED BY RJ		CH 1 ME60S SLIDER
			10802 27th Avenue West Miraflores VA 98275-5088	SHEET 1 of 2
				109603



ACTION:	DRAWN BY: SKH	CHECKED BY: RJ	109603 4TH AVENUE VARS SHEET NUMBER: VAS.5812.0388	2 of 2	109603
<b>CH 2 MEGOS SLIDER</b>					





ACTION	ADDED D3890A R431+10K
DRAWN BY	C189 WAS S 8/400 V. SKH 21/JUN06
CHECKED BY	RJ



11802 47th Avenue West  
 Mukwonago WI 53091

**POWER SUPPLY ME60S**  
 SHEET  
 3 of 3 | 109601