



Type(s)  
Project  
Date  
Notes

GENERAL INFORMATION

Designed for use with ArcSystem Pro One-Cell series luminaires, the ArcSystem driver range is a convection cooled LED driver providing superior quality dimming. Each driver type has been specifically optimized for the best possible control of its intended luminaire. With this in mind, the following chart details compatibility of each model:

DRIVER	SUITABLE FOR USE WITH:
D1 Driver	Pro One-Cell / Pro One-Cell Small
D1HO Driver	Pro One-Cell High-Output
D2 Driver	Pro One-Cell Micro
D4 CC Driver	Pro One-Cell / Pro One-Cell Small

Each D1 Driver provides power and control for one luminaire while the D2 can power up to two Pro One-Cell Micro luminaires. The D4 CC Driver provides power and control for up to four luminaires. Intensity may be controlled directly using a wired-DMX connection to the driver's RJ45 connectors or wirelessly using the separate ArcMesh Transmitter. An optional, wired-only, DMX/RDM version of each driver is available for projects that do not require wireless capability.

ORDERING INFORMATION

ArcSystem Drivers

MODEL	CONTROL	DRIVER CONSTRUCTION	REGULATORY
ARCPD1D - D1 Standard ARCPD1HD - D1HO Standard ARCPD2D - D2 Standard ARCPD4D - D4 Standard ARCPED1D - D1 Emergency ARCPED1HD - D1HO Emergency ARCPED2D - D2 Emergency ARCPED4D - D4 Emergency	(Blank) - DMX/ ArcMesh RDM - DMX/ RDM	M - Metal CCMMW - D4 CC Driver only C - Quick Connect, only available for D1 Drivers and CE market	(Blank) - ETL listed -CE - CE compliant

To complete the form, simply select an option at the bottom of each column to populate the last row with your desired part number.

GENERAL INFORMATION

APPLICATIONS

- Auditoriums
- Worklights
- Lobbies
- Houses of worship
- Museums
- Studios

FEATURES

- Wired-DMX with wireless ArcMesh control protocols
- Wired only DMX/RDM option available
- Stepless smooth dimming to absolute zero
- Silent operation
- Convection cooled
- Suitable for air handling/plenum use



## PRODUCT SPECIFICATIONS (ARCSYSTEM DRIVERS)

**Control**

Input method	DMX-512 via RJ45
Protocols	DMX, ArcMesh wireless, RDM (option)
Modes (footprint)	D1/D1HO Driver: 1 channel and 1 luminaire D2 Driver: up to 2 channels and a total of 2 luminaires D4 Driver: up to 4 channels and a total of 4 luminaires
RDM configuration	Yes (with RDM option)
UI type	PC config app for ArcMesh option
Local control	No
Notes	ArcMesh wireless control requires optional TX1 transmitter

**Electrical**

Voltage range	100–277 VAC 50/60 Hz hard-wired
Input method	Wiring compartment with two half-inch knock-outs at each end for field wiring D4: Removable plate for field drilled holes
Inrush	Inrush and Fixture Per Circuit information on Page 3
Wattage (max / standby)	D1 Driver: 20 W/<0.5 W D1HO Driver: 100 W/<3 W D2 Driver: 20 W/<0.5 W D4 CC Driver: 115 W/<0.5 W
Power factor	>0.9
Current draw	D1 Driver: 0.20 A at 120 VAC D1HO Driver: 0.83 A at 120 VAC D2 Driver: 0.17 A at 120 VAC D4 CC Driver: 0.95 A at 120 VAC
Recommended maximum cable length from driver to luminaire	D1 Driver: 15 m (49 ft 2 in) D1HO Driver: 1 m (3 ft 3 in) D2 Driver: 15 m (49 ft 2 in) D4 CC Driver: 15 m (49 ft 2 in)

**Thermal**

Ambient operating temp	0–40°C (32–104°F)
Fan (controllable)	N/A (convection cooled)
BTUs/hour	D1 Driver: 85 D1HO Driver: 341 D2 Driver: 68 D4 CC Driver: 361

**Physical**

Materials	Die-cast aluminum and cold-rolled steel
Color options	Black
Mounting options	4 screw holes in rear plate D1 Quick Connect has an included mounting strap (see drawing page 7) Optional recessed bracket for D1 or D1HO (see separate datasheet)
IP rating	IP-20 (dry locations only)
Weight	D1 Driver: 0.61 kg (1.35 lb) D1HO Driver: 1.14 kg (2.50 lb) D2 Driver: 0.71 kg (1.55 lb) D4 CC Driver: 1.9 kg (4.2 lb)

**Warranty**

Driver	5 years
Website	<a href="http://etconnect.com/Support/Warranty.aspx">etconnect.com/Support/Warranty.aspx</a>

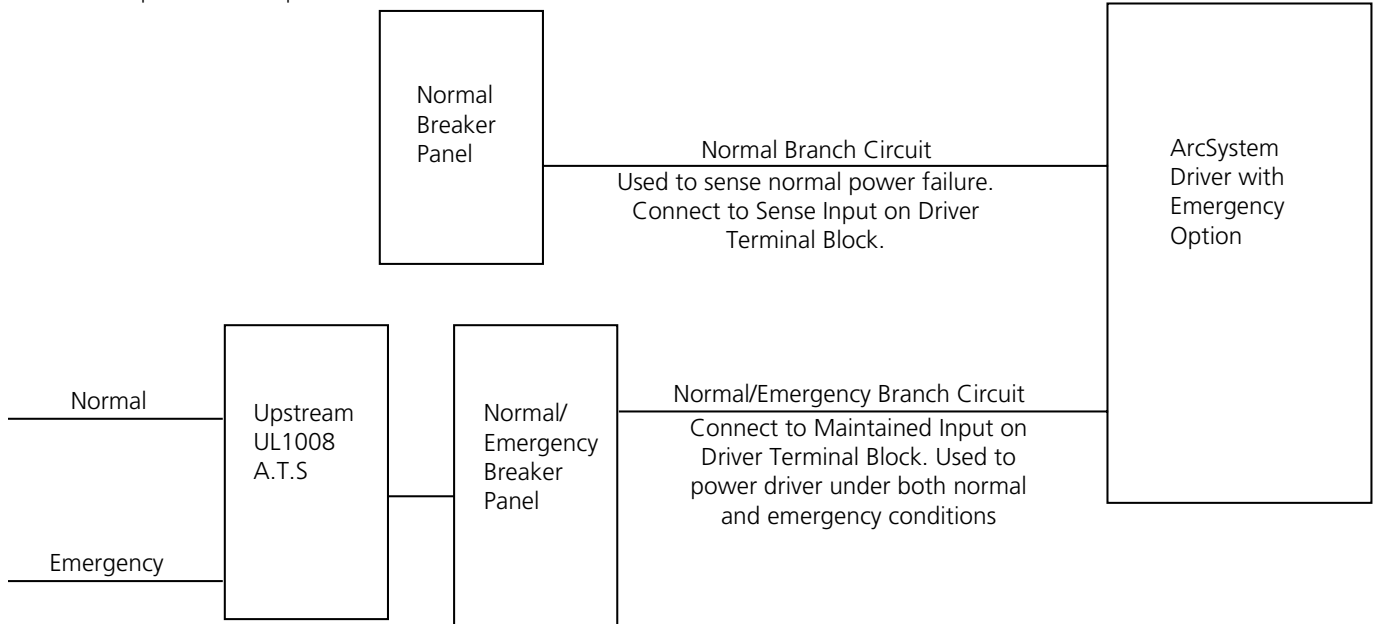
**Regulatory and Compliance**

Approved regulatory standards	Standard version cETLus Listed Conforms to ANSI/UL STD.8750 Certified to CSA STD. C22.2 No: 250.13 CE Compliant  Emergency version cETLus Listed Conforms to ANSI/UL STD.924 Certified to CSA STD. C22.2 No: 141 CE Compliant  D1 Quick Connect Standard and Emergency version CE Compliant  FCC Compliant  D1/D1HO/D4 CC suitable for use in air handling systems by NEC 300.22(C)(3)
-------------------------------	--

**EMERGENCY CONNECTION**

A dual-input emergency version of this driver is available. Emergency drivers have two line-voltage leads that are wired to the product and have the following functions:

- Normal power/emergency power
- Normal power sense input



If normal power to the sense input is lost, the driver will force the luminaire on at 100% overriding all other control signals. There is no control of the driver/luminaire via wireless ArcMesh or wired DMX until normal power is restored at the sense input.

**ACCESSORY INFORMATION**

**D1/D2/D4 Extension Cables (to Pro One-Cell Luminaire)**

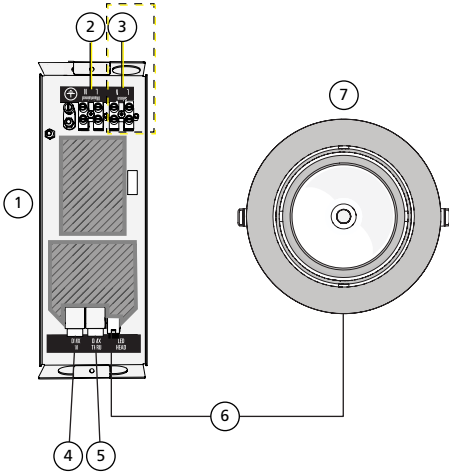
MODEL NUMBER	DESCRIPTION
ARCDAHBC1	1 m extension cable
ARCDAHBC2	2 m extension cable
ARCDAHBC3	3 m extension cable
ARCDAHBC5	5 m extension cable
ARCDAHBC10	10 m extension cable

**\*EXTENSIONS MAY NOT BE USED FOR D1HO/PRO ONE-CELL HIGH-OUTPUT**

**INRUSH AND FIXTURE PER CIRCUIT INFORMATION**

	ARCPD1D / ARCPED1D	ARCPD1HD / ARCPED1HD	ARCPD2D / ARCPED2D	ARCPD4D / ARCPED4D
Max Inrush	20 A at 120 V 11 A at 230 V	65 A at 120 V 34 A at 230 V	20 A at 120 V 11 A at 230 V	15 A at 120 V 8 A at 230 V
120 V, 20 A, High Inrush (Sensor or SensorIQ)	80 drivers powering 80 luminaires	19 drivers powering 19 luminaires	94 drivers powering 188 luminaires	16 drivers powering 64 luminaires
120 V, 20 A, Standard Inrush (Echo Relay Panel Mains Feed)	80 drivers powering 80 luminaires	19 drivers powering 19 luminaires	94 drivers powering 188 luminaires	16 drivers powering 64 luminaires
230 V, 10 A, C-Curve (Sensor)	80 drivers powering 80 luminaires	19 drivers powering 19 luminaires	94 drivers powering 188 luminaires	16 drivers powering 64 luminaires
230 V, 15 A, C-Curve (Sensor)	120 drivers powering 120 luminaires	28 drivers powering 28 luminaires	141 drivers powering 282 luminaires	25 drivers powering 100 luminaires

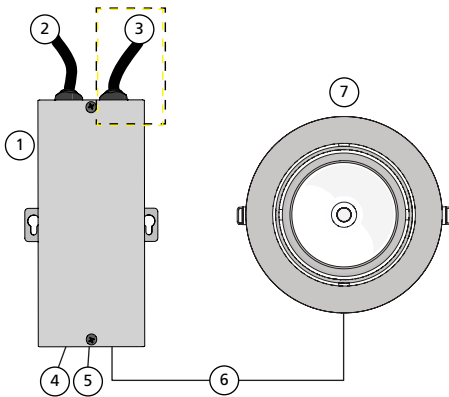
D1 DRIVER WIRING DIAGRAM



	Description	Notes
1	ArcSystem Pro D1 Driver	ARCPD1DM and ARCPD1DRDMM ARCPED1DM and ARCPED1DRDMM (Emergency)
2	Maintained input power	Up to 6 mm <sup>2</sup> (10 AWG) line/neutral/ground 100–277 VAC, 50/60 Hz ARCPD1DM/ARCPD1DRDMM: normal branch circuit ARCPED1D/ARCPED1DRDMM: normal/emergency branch circuit from UL1008 automatic transfer switch (ATS) by others
3	Sense input power (emergency models only)	Up to 6 mm <sup>2</sup> (10 AWG) line/neutral/ground 100–277 VAC, 50/60 Hz, normal branch circuit (ARCPED1DM/ARCPED1DRDMM only)
4	DMX input from external DMX source	RJ45 connector, Cat5e (or equivalent) 0.2 mm <sup>2</sup> (24 AWG) or larger conductors terminated to T568B standard
5	DMX thru to another ArcSystem Pro Driver or other device	RJ45 connector, Cat5e (or equivalent) 0.2 mm <sup>2</sup> (24 AWG) or larger conductors terminated to T568B standard
6	Luminaire cable	18 AWG with Molex Mini-Fit connector, provided attached to luminaire. Extension cables are available (see page 3).
7	ArcSystem Pro One-Cell or One-Cell Small luminaire ARCP1 or ARCP1S	

**Note: The illustration is not drawn to scale.**

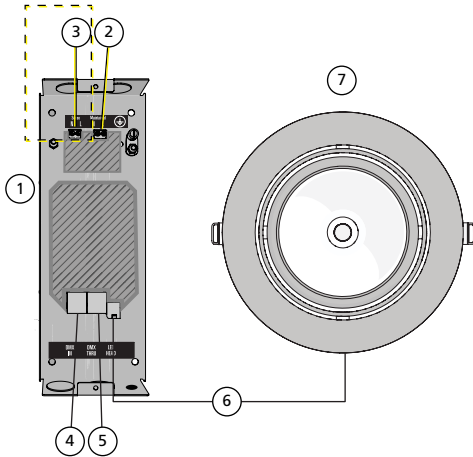
D1 DRIVER QUICK CONNECT WIRING DIAGRAM



	Description	Notes
1	ArcSystem Pro D1 Driver Quick Connect	ARCPD1DC or ARCPD1DRDMC ARCPED1DC or ARCPED1DRDMC (Emergency)
2	Maintained input power	Use the provided cable: 18 AWG line/neutral/ground with a #8 22–18 AWG (0.5–1 mm <sup>2</sup> ) ring terminal on ground 100–277 VAC, 50/60 Hz ARCPD1DC/ARCPD1DRDMC: normal branch circuit ARCPED1DC/ARCPED1DRDMC: normal/emergency branch circuit from UL1008 automatic transfer switch (ATS) by others
3	Sense input power (emergency models only)	Use the provided cable: 18 AWG line/neutral/ground with a #8 22–18 AWG (0.5–1 mm <sup>2</sup> ) ring terminal on ground 100–277 VAC, 50/60 Hz, normal branch circuit (ARCPED1DC/ARCPED1DRDMC only)
4	DMX input from external DMX source	RJ45 connector, Cat5e (or equivalent) 0.2 mm <sup>2</sup> (24 AWG) or larger conductors terminated to T568B standard
5	DMX thru to another ArcSystem Pro Driver or other device	RJ45 connector, Cat5e (or equivalent) 0.2 mm <sup>2</sup> (24 AWG) or larger conductors terminated to T568B standard
6	Luminaire cable	18 AWG with Molex Mini-Fit connector, provided attached to luminaire. Extension cables are available (see page 3).
7	ArcSystem Pro One-Cell or One-Cell Small luminaire ARCP1 or ARCP1S	

**Note: The illustration is not drawn to scale.**

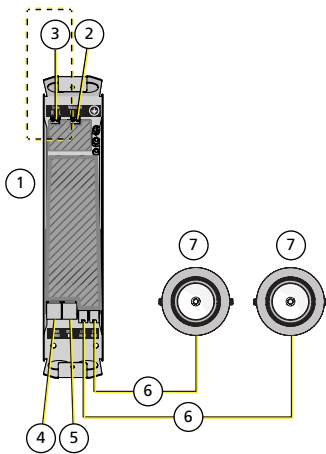
D1HO DRIVER WIRING DIAGRAM



	Description	Notes
1	ArcSystem Pro D1HO Driver	ARCPDH1D ARCPEDH1D (Emergency)
2	Maintained input power	0.5–10 mm <sup>2</sup> (22–6 AWG) line/neutral 2.5–10 mm <sup>2</sup> (6–14 AWG) ground 100–277 VAC, 50/60 Hz ARCPDH1D: normal branch circuit ARCPEDH1D: normal/emergency branch circuit from UL1008 automatic transfer switch (ATS) by others
3	Sense input power (emergency models only)	0.5–10 mm <sup>2</sup> (22–6 AWG) line/neutral 2.5–10 mm <sup>2</sup> (6–14 AWG) ground 100–277 VAC, 50/60 Hz, normal branch circuit (ARCPEDH1D only)
4	DMX input from external DMX source	RJ45 connector, Cat5e (or equivalent) 0.2 mm <sup>2</sup> (24 AWG) or larger conductors terminated to T568B standard
5	DMX thru to another ArcSystem Pro Driver or other device	RJ45 connector, Cat5e (or equivalent) 0.2 mm <sup>2</sup> (24 AWG) or larger conductors terminated to T568B standard
6	Luminaire cable	18 AWG with Molex KK connector, provided attached to luminaire.
7	ArcSystem Pro One-Cell High Output luminaire ARCP1H	

**Note: The illustration is not drawn to scale.**

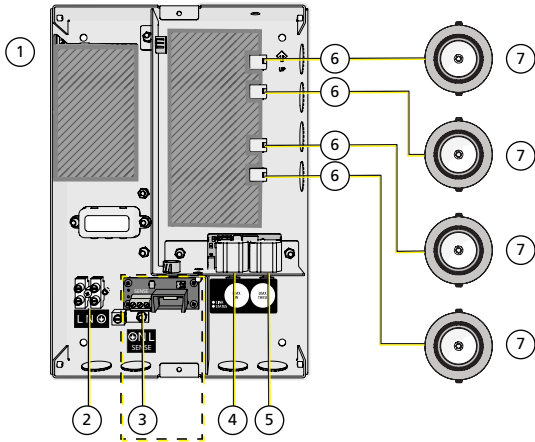
D2 DRIVER WIRING DIAGRAM



	Description	Notes
1	ArcSystem Pro D2 Driver	ARCPD2D ARCPED2D (Emergency)
2	Maintained input power	0.5–10 mm <sup>2</sup> (22–6 AWG) line/neutral 2.5–10 mm <sup>2</sup> (6–14 AWG) ground 100–277 VAC, 50/60 Hz ARCPD2D: normal branch circuit ARCPED2D: normal/emergency branch circuit from UL1008 automatic transfer switch (ATS) by others
3	Sense input power (emergency models only)	0.5–10 mm <sup>2</sup> (22–6 AWG) line/neutral 2.5–10 mm <sup>2</sup> (6–14 AWG) ground 100–277 VAC, 50/60 Hz, normal branch circuit (ARCPED2D only)
4	DMX input from external DMX source	RJ45 connector, Cat5e (or equivalent) 0.2 mm <sup>2</sup> (24 AWG) or larger conductors terminated to T568B standard
5	DMX thru to another ArcSystem Pro Driver or other device	RJ45 connector, Cat5e (or equivalent) 0.2 mm <sup>2</sup> (24 AWG) or larger conductors terminated to T568B standard
6	Luminaire cable	18 AWG with Molex Mini-Fit connector, provided attached to luminaire. Extension cables are available (see page 3).
7	ArcSystem Pro One-Cell Micro luminaire ARCP1M	

**Note: The illustration is not drawn to scale.**

D4 CC DRIVER WIRING DIAGRAM



	Description	Notes
1	ArcSystem Pro D4 CC Driver	ARCPD4DCCMMW ARCPED4DCCMMW (Emergency)
2	Input power	0.5–10 mm <sup>2</sup> (22–6 AWG) line/neutral, 2.5–10 mm <sup>2</sup> (14–6 AWG) ground 100–277 VAC, 50/60 Hz ARCPD4DCCMMW: normal branch circuit ARCPED4DCCMMW: normal/emergency branch circuit from UL1008 automatic transfer switch (ATS) by others
3	Sense input power (emergency models only)	0.2–2.5 mm <sup>2</sup> (24–14 AWG) line/neutral/ground 100–277 VAC, 50/60 Hz, normal branch circuit (ARCPED4DCCMMW only)
4	DMX input from external DMX source	RJ45 connector, Cat5e (or equivalent) 0.2 mm <sup>2</sup> (24 AWG) or larger conductors terminated to T568B standard
5	DMX thru to another ArcSystem Pro Driver or other device	RJ45 connector, Cat5e (or equivalent) 0.2 mm <sup>2</sup> (24 AWG) or larger conductors terminated to T568B standard
6	Luminaire cable	18 AWG with Molex Mini-Fit connector, provided attached to luminaire. Extension cables are available (see page 3).
7	ArcSystem Pro One-Cell or One- Cell Small luminaire ARCP1 or ARCP1S	

**Note: The illustration is not drawn to scale.**

PHYSICAL

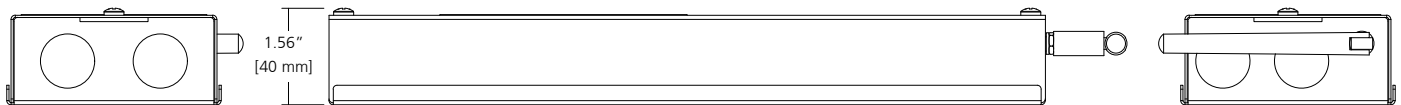
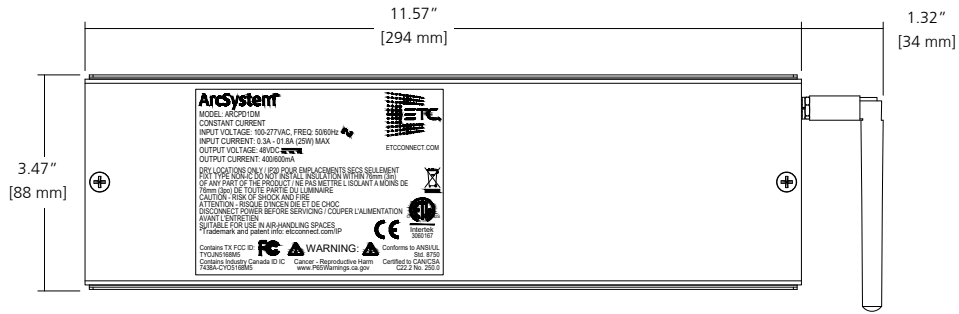
Product Dimensions

MODEL	HEIGHT		WIDTH		DEPTH	
	in	mm	in	mm	in	mm
D1 Driver	1.56	40	11.57	294	3.47	88
D1 HO Driver	3.03	77	9.98	253	3.49	89
D2 Driver	1.80	46	12.00	305	2.56	64
D4 CC Driver	11.09	282	8.20	209	2.28	58

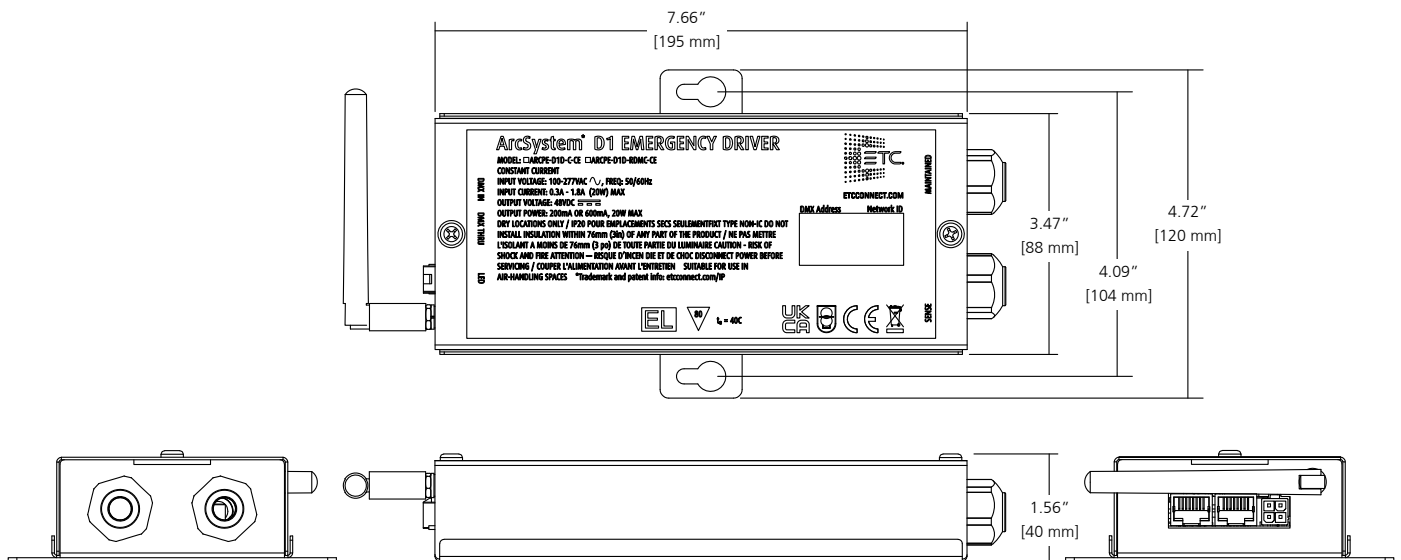
Product Weight

MODEL	WEIGHT		SHIPPING WEIGHT	
	lb	kg	lb	kg
D1 Driver	1.35	0.61	1.70	0.77
D1 HO Driver	2.50	1.14	2.85	1.30
D2 Driver	1.55	0.71	1.95	0.89
D4 CC Driver	4.2	1.9	5.2	2.3

ARCSYSTEM D1 DRIVER



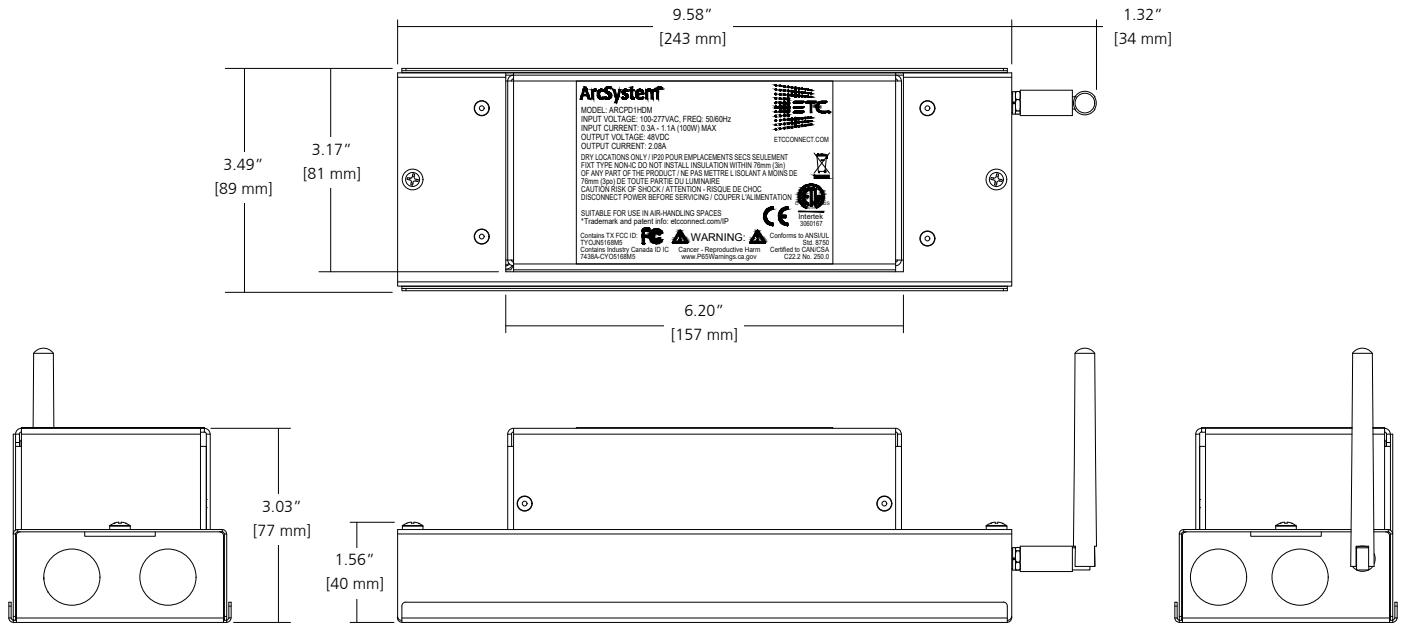
ARCSYSTEM D1 QUICK CONNECT



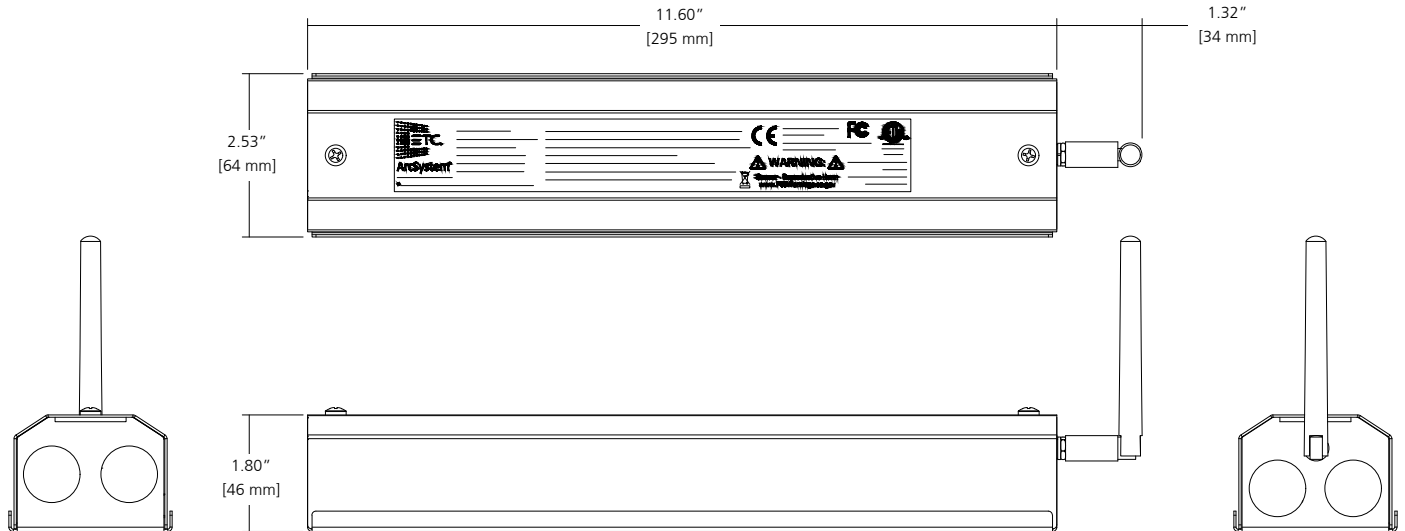
Note: Antennas not present in RDM only fixture model

PHYSICAL

ARCSYSTEM D1 HIGH-OUTPUT DRIVER



ARCSYSTEM D2 DRIVER

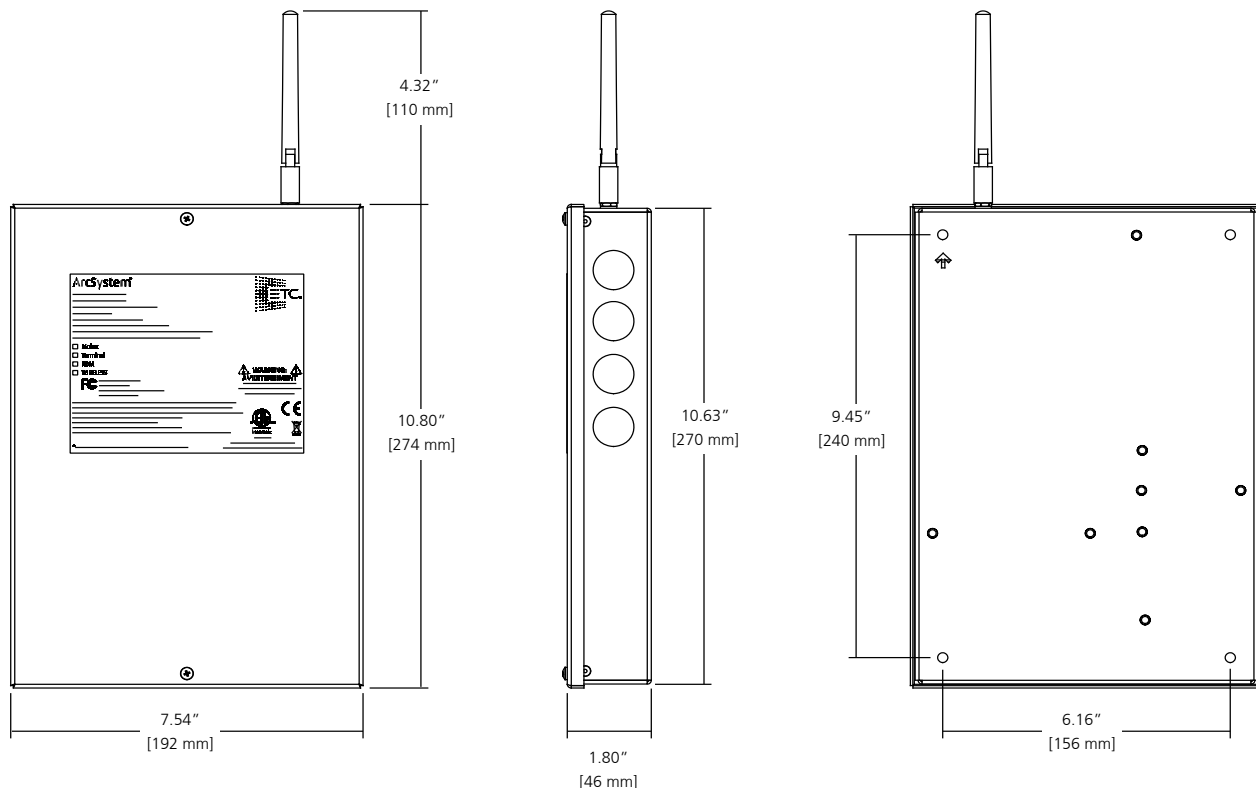


Note: Antennas not present in RDM only fixture model



PHYSICAL

ARCSYSTEM D4 CC DRIVER



Note: Antennas not present in RDM only fixture model



**Corporate Headquarters** • Middleton, WI USA  
**Global Offices** • London, UK • Rome, IT • Holzkirchen, DE • Paris, FR • Hong Kong  
 Dubai, UAE • Singapore • New York, NY • Orlando, FL • Los Angeles, CA • Austin, TX  
 Copyright©2021 ETC. All Rights Reserved. All product information and specifications subject to change. Rev I 2021-05  
 \*Trademark and patent info: [etcconnect.com/IE](http://etcconnect.com/IE)

[etcconnect.com](http://etcconnect.com)