



# Source Four Mini LED

## User Manual

Part Number: 7063M1220 Rev: F  
Released: 2020-02

To view a list of ETC trademarks and patents, go to [etconnect.com/ip](https://etconnect.com/ip). All other trademarks, both marked and not marked, are the property of their respective owners.

ETC intends this document, whether printed or electronic, to be provided in its entirety.

# Table of Contents

Introduction . . . . .	1
Basic Assembly. . . . .	2
Install a Lens Tube. . . . .	3
Install a Canopy or Track Fixture . . . . .	4
Install a Canopy Fixture. . . . .	4
Install a Track Fixture. . . . .	6
Use the AD1 Track Adapter. . . . .	7
Adjustments . . . . .	8
Adjust the Yoke Position. . . . .	8
Set the Angle with the Yoke . . . . .	8
Lock the Rotation on the Canopy and Track Fixtures . . . . .	8
Focus the Beam. . . . .	9
Shape the Beam. . . . .	9
Project a Pattern. . . . .	10
Use the Color Frame Holder . . . . .	10
Adjust the C-clamp on the Portable Fixture (120 V Only). . . . .	11
Clean the Glass Lens . . . . .	11

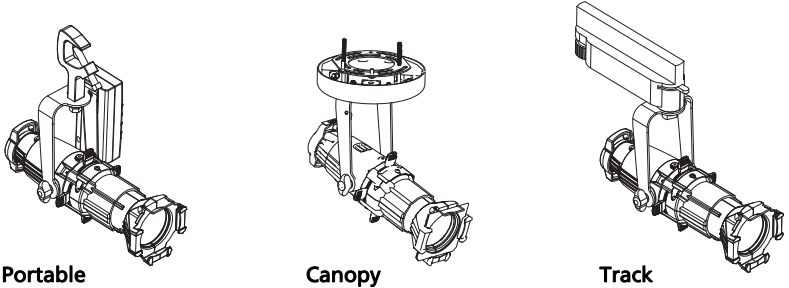


# Introduction

The Source Four Mini LED has three available mounting options:

- **Portable:** The portable fixture includes a miniature C-clamp and yoke-mounted driver, and has a permanently installed power cord with 3-prong Edison connector. Region-specific connectors are available. Contact ETC for available options. Use L5-15 plugs on branch circuits with L5-15 receptacles only.
- **Canopy-mount and track-mount:** The canopy-mount fixture and track-mount fixture both include an integral driver.

There are four lens tube sizes available for each mounting option: 19°, 26°, 36°, and 50°. A lens tube **must** be installed prior to use of the Source Four Mini LED.



**Note:** *The miniature C-clamp for the portable fixture is included only with the 120 V fixture. For the 240 V fixture, use an M10 bolt to secure a clamp (provided separately) to the fixture.*



**WARNING:** Please note the following safety warnings before use:

- Do not mount the fixture on or near combustible surfaces.
- Do not operate the fixture without a lens installed.
- Always hang the fixture with the retaining clip on the color frame holder in the locked position.

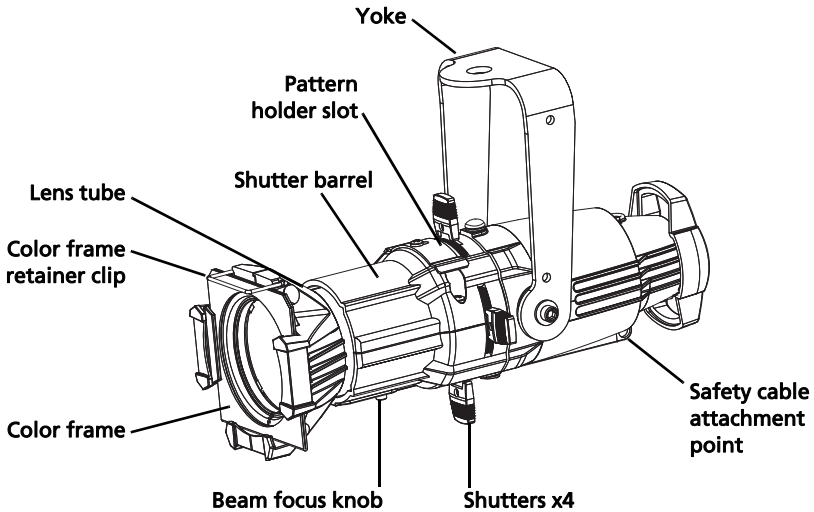


**WARNING:** To reduce the risk of fire and electric shock, use the track-mount fixture only with the DataTrack (EUTRAC®) track system.



**AVERTIR:** Pour éviter le risque d'incendie ou de choc électrique avec le modèle adaptateur pour rail, utiliser uniquement avec une alimentation par rail DataTrack (EUTRAC).

# Basic Assembly



INSTRUCTIONS PERTAINING TO A RISK OF FIRE, ELECTRIC SHOCK, EXPOSURE TO EXCESSIVE UV RADIATION, OR INJURY TO PERSONS

## **IMPORTANT SAFETY INSTRUCTIONS**

WARNING - To reduce the risk of FIRE, ELECTRIC SHOCK, EXPOSURE TO EXCESSIVE UV RADIATION, OR INJURY TO PERSONS:

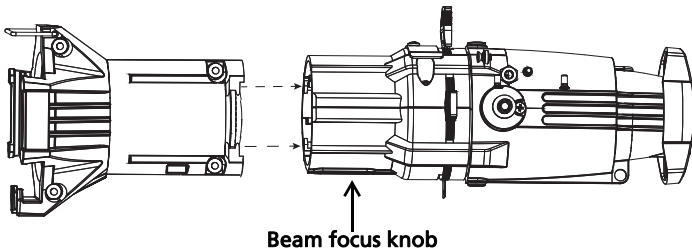
- 1) Do not touch hot lens, guard, or enclosure.
- 2) Do not remain in light if skin feels warm.
- 3) Do not look directly at lighted lamp.
- 4) Keep lamp away from materials that may burn.
- 5) External temperature after 5 minutes of full-brightness operation 50°C (122°F).
- 6) External temperature when steady state is achieved 67°C (152.6°F).

**SAVE THESE INSTRUCTIONS**

# Install a Lens Tube

A lens tube **must** be installed prior to use of the Source Four Mini LED. There are four lens tube sizes available: 19°, 26°, 36°, and 50°.

Lens Tube	Description
4M19LT	19° Source Four Mini Lens Tube Only Black
4M19LT-1	19° Source Four Mini Lens Tube Only White
4M19LT-5	19° Source Four Mini Lens Tube Only Silver
4M26LT	26° Source Four Mini Lens Tube Only Black
4M26LT-1	26° Source Four Mini Lens Tube Only White
4M26LT-5	26° Source Four Mini Lens Tube Only Silver
4M36LT	36° Source Four Mini Lens Tube Only Black
4M36LT-1	36° Source Four Mini Lens Tube Only White
4M36LT-5	36° Source Four Mini Lens Tube Only Silver
4M50LT	50° Source Four Mini Lens Tube Only Black
4M50LT-1	50° Source Four Mini Lens Tube Only White
4M50LT-5	50° Source Four Mini Lens Tube Only Silver



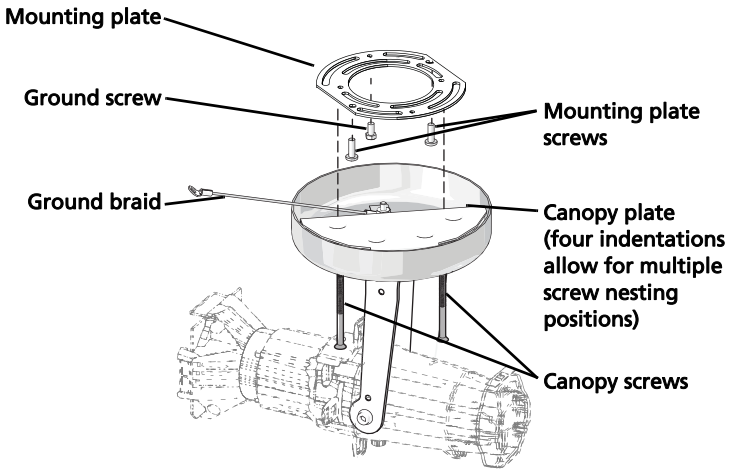
- 1: Unscrew the beam focus knob from the loose lens tube.
- 2: Slide the lens tube into the shutter barrel.
- 3: Install the beam focus knob.

# Install a Canopy or Track Fixture



- WARNING:**
- **TURN OFF POWER** at main fuse or breaker box and verify that the power is off before proceeding with installation.
  - **Wiring must meet local and national codes.**
  - **Do not mount the fixture on or near combustible surfaces.**
  - **Do not operate the fixture without a lens installed.**
  - **Always hang the fixture with the retaining clip on the color frame holder in the locked position.**

## Install a Canopy Fixture

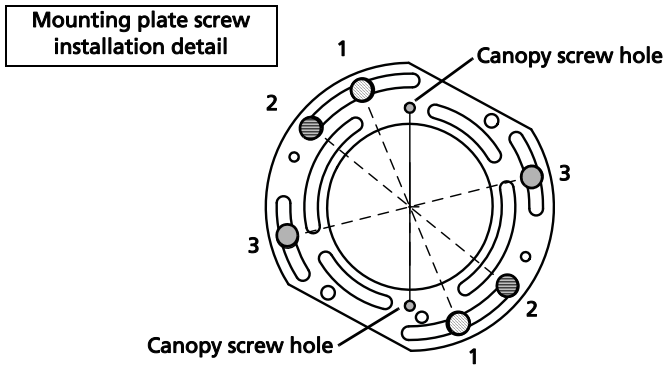


- 1: Remove the mounting plate from the fixture by removing the two canopy screws and the ground screw. Set the ground screw safely aside.
- 2: Using the mounting plate screws, secure the mounting plate to the installed electrical box, which is not included.





**CAUTION:** *The metal canopy plate has built-in indentations allowing the mounting plate screws to nest into the canopy plate. For an ideal flush mount installation you may need to rotate the plate to accommodate these indentations. See the following image.*



**Install the mounting plate screws in one of the three position-pairings shown. Only the slots on the outer circumference will allow a true flush mounting.**

- 3: Place the copper ground braid loop over the ground screw and attach the ground screw to the electrical box.
- 4: Connect the building ground wire to the ground wire on the fixture, following local electrical codes.
- 5: Connect your supply power wires to the lamp wiring using the included two-position WAGO® connectors.
  - For 120V fixtures: Connect the black wire to line and the white wire to neutral.
  - For 230V fixtures: Connect the brown wire to line and the blue wire to neutral.
- 6: While keeping in mind the mounting plate orientation, use the canopy screws to secure the fixture to the mounting plate.
- 7: Open all four of the shutter blades by sliding them outward until they stop.
- 8: Install a gobo and gel as desired and confirm that they are properly secured.
- 9: Restore power at the main fuse.
- 10: Focus the fixture as desired.

# Install a Track Fixture

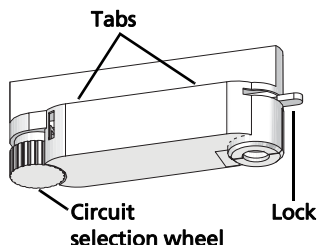


**WARNING:** To reduce the risk of fire and electric shock, use the track-mount fixture only with the DataTrack (EUTRAC) track system.

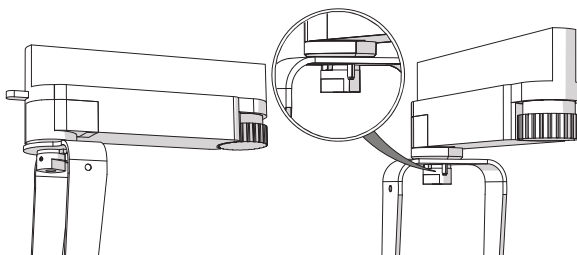


**AVERTIR:** Pour éviter le risque d'incendie ou de choc électrique avec le modèle adaptateur pour rail, utiliser uniquement avec une alimentation par rail DataTrack (EUTRAC).

- 1: Insert the track adapter into the track. The adapter will only fit one way into the track with the tabs of the adapter in the groove of the track.
- 2: Lock the adapter into place.
- 3: Select circuit 1 or 2 using the circuit selection wheel. (The 230V track adapter has a three-circuit selector knob.)
- 4: Focus the fixture.
- 5: Lock the fixture into place using the yoke lock.



**Cable protection posts on both the yoke lock and the yoke prevent the fixture from rotating a full 360°. To lock the yoke in place use a 1.5 mm Allen wrench.**

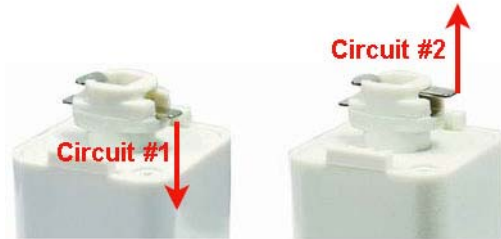


## Use the AD1 Track Adapter

ETC offers the option of installing a track-mounted fixture with an adapter that is compatible with Halo Track Systems. Halo Track Systems are not available from ETC, but the Source Four Mini LED fixture can be custom-ordered from ETC with the AD1 track adapter.

Both single and double circuit track can be accommodated with this adapter.

- For single circuit track, push the tab on the adapter to the lower position.
- For double circuit track, push the tab to the upper position.



*To install a fixture with the AD1 adapter:*

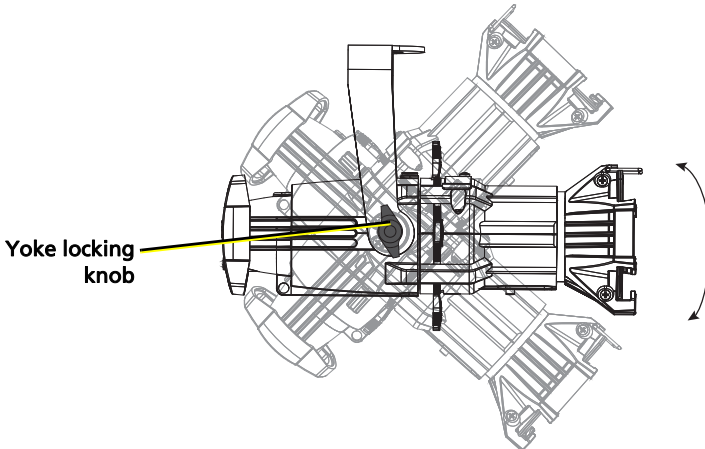
- 1: Pull back on the retaining sleeve.
- 2: Insert the adapter into the track with the gold tabs parallel to the track.
- 3: Release the sleeve and rotate until you feel the adapter snap securely into place.

# Adjustments

## Adjust the Yoke Position

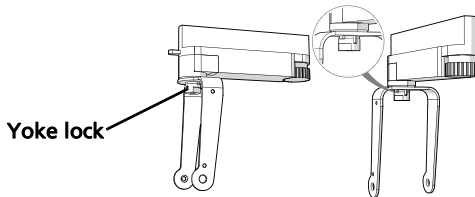
The Source Four Mini LED provides multi-positioning capabilities within its yoke for overall fixture angle.

### Set the Angle with the Yoke



- 1: Loosen the yoke locking knob. **Do not** remove the knob.
- 2: Tilt the fixture to the desired position.
- 3: Tighten the yoke locking knob.

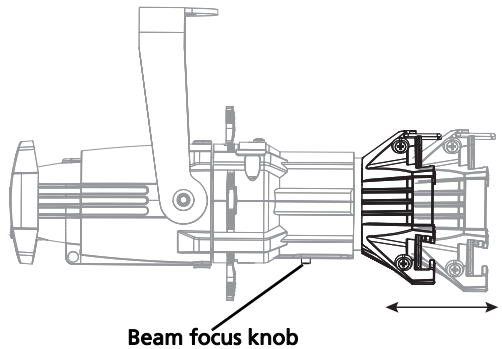
## Lock the Rotation on the Canopy and Track Fixtures



- 1: Rotate the fixture to the desired position. To protect the wiring, the fixture cannot rotate completely around.
- 2: Insert a 1.5 mm Allen wrench into the small hole on the yoke lock.
- 3: Turn wrench to tighten the yoke lock.

## Focus the Beam

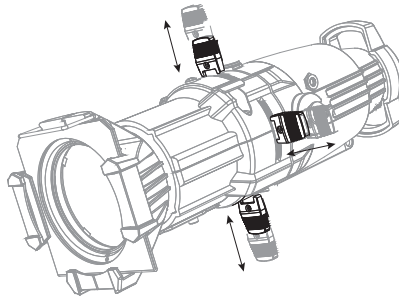
- 1: Loosen the beam focus knob located under the barrel.  
**Do not** remove the knob.
- 2: Slide the lens tube forward or backward to achieve the desired beam edge.
- 3: Once the fixture is focused, tighten the beam focus knob.



## Shape the Beam

Shape the beam with the four shutters or with a pattern.

The Source Four Mini LED has four shutters: left, right, top, and bottom. Each shutter can be pulled out or pushed in to create the desired beam shape.

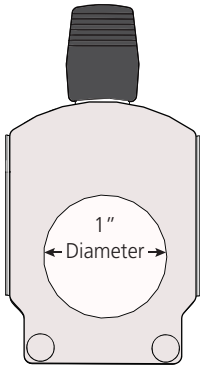


## Project a Pattern

The Source Four Mini LED has a pattern holder slot on the top side of the shutter barrel, in front of the shutter. It accommodates an E-size (37.5 mm with a 25.4 mm image area) pattern holder.

Use an optional donut in the color frame holder to enhance pattern projection.

When the slot is not in use, a small sheet metal cover secured with a Phillips screw prevents light leakage.



- 1: Use a Phillips screwdriver to loosen the screw on the slot cover. Do not remove the screw.
- 2: Slide the cover completely forward to expose the slot.
- 3: Insert the pattern holder.
- 4: Slide the slot cover back toward the shutters until it meets the pattern handle. Leave enough space to move the handle.
- 5: Secure the slot cover by tightening the screw.

## Use the Color Frame Holder

The Source Four Mini LED comes equipped with a 2¾" or 70 mm color frame, which is a metal frame used to hold color media (often referred to as gel) in front of the lens. The color frame holder is equipped with a retaining clip that prevents the color frame from falling out.

Additional accessories are available that also fit into the color frame holder. Those accessories are top hat, short top hat, half hat, short half hat, and donut. When you use an accessory, install the color frame in the rear slot of the holder.

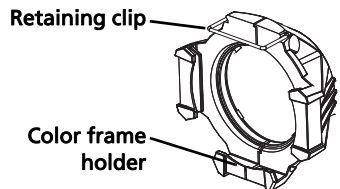


**WARNING:** Make sure the color frame is locked in position with the retaining clip.



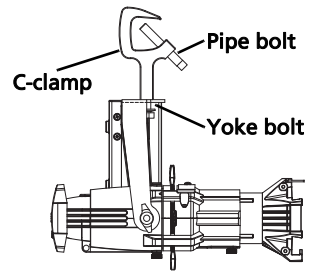
**Note:** *The color frame should be inserted with the open side down.*

- 1: Release the retaining clip by gently pushing it up.
- 2: Insert the color frame.
- 3: Lock the retaining clip by gently pushing it down.



## Adjust the C-clamp on the Portable Fixture (120 V Only)

The C-clamp attaches the fixture to the mounting pipe and allows you to adjust the position of the fixture once it is mounted. The C-clamp will fit a 3/8" to 1" pipe.



- 1: Tightly fasten the C-clamp to the yoke with the provided yoke bolt and lock washer.
- 2: Place the C-clamp on the mounting pipe, and then tighten the pipe bolt to secure it.
- 3: Loosen the C-clamp yoke bolt and rotate the yoke to the desired position.
- 4: Tighten the bolt to lock the fixture.



**CAUTION:** *Tighten the C-clamp pipe bolt to about 18 in/lb (approximately finger tight plus up to one-quarter turn). Do not use excessive force.*



**Note:** *The Source Four Mini LED yoke has a C-clamp hole with a .406" diameter.*

## Clean the Glass Lens



**WARNING:** Do not use ammonia-based or other harsh commercial cleaners. Clean lens only as directed.

Commercially available glass cleaning agents should be avoided as they may contain ammonia, other harsh chemical detergents, or abrasive agents. These cleaners may damage the glass surface and the anti-reflective coatings. Do not immerse or soak the glass in any cleaning solution.

- 1: Remove the beam focus knob from the barrel.
- 2: Remove the lens tube from the barrel.
- 3: Remove dust with a blast of oil-free air or wipe with a clean, lint-free cloth. Isopropyl alcohol, distilled water, or a 50%-50% mixture of each can be used to clean the glass surface.
- 4: Slide the lens tube back into the barrel with the color frame retainer clip on the top.
- 5: Reinstall the beam focus knob.



**Corporate Headquarters** Middleton, WI, USA +1 608 831 4116  
**London, UK** +44 (0)20 8896 1000 **Holzkirchen, DE** +49 (80 24) 47 00-0  
**Rome, IT** +39 (06) 32 111 683 **Hong Kong** +852 2799 1220 **Paris, FR** +33 1 4243 3535  
**Web** [etcconnect.com](http://etcconnect.com) **Support** [support.etcconnect.com](http://support.etcconnect.com) **Contact** [etcconnect.com/contact](http://etcconnect.com/contact)ETC  
© 2020 Electronic Theatre Controls, Inc.  
Product information and specifications subject to change. ETC intends this document to be provided in its entirety. Trademark and patent info: [etcconnect.com/ip](http://etcconnect.com/ip)  
**7063M1220** Rev F Released 2020-02