

Blast gen4

Get the best and brightest flood light

Blast gen4

The latest generation of our best-in-class flood lighting raises quality and performance even further.



In this guide:

Introduction	02
The Blast legacy	04
Beyond floodlighting	06
Meet the Blast gen4 family	08
Color Kinetics technologies	12
Key features	14
Complete solution	16
Showcase	18
Specifications and information	24
Dimensions and accessories	26

What makes a legendary luminaire withstand the test of time?

Our high-performance Blast luminaires have been synonymous with best-in-class flood lighting since the dawn of the LED lighting era.

Over the years, ColorBlast earned its reputation for uncompromising performance and unequalled reliability, becoming one of the longest-running success stories in the LED lighting industry. You'll find almost half a million Blast luminaires out in the world, bringing exceptionally versatile lighting and impressive impact to iconic structures, from the Empire State Building (New York City, USA) to Abbaye St. Victor (Marseilles, France) to the Kocatepe Mosque (Ankara, Turkey).

But Blast Powercore isn't about its impressive past. It's about ongoing innovation, the kind that keeps Blast at the forefront of flood lighting. That's where you'll find the latest, most powerful, flexible Blast luminaires yet—Blast Powercore gen4.

We created Blast Powercore gen4 from the ground up based on extensive input from lighting professionals—an approach we call customer-first product development. We started by asking lighting designers and specifiers, architects, building owners, municipalities, and other lighting professionals an important question: what do you need in LED flood lighting?

We listened carefully, then explored new ways to meet their diverse needs:

Architects and lighting specifiers rely on flood lighting to draw attention to intriguing aspects of a structure, new or old—"architainment" that engages the public like never before.

Building owners, municipalities, and other end-users want lighting that gets attention while raising energy efficiency and lowering costs—plus reliability, even in punishing conditions.

Lighting designers want a complete, high-performance lighting solution that can help them realize their unique vision—every project, no matter how extensive or complex.

Installers and contractors want simplicity, from initial ordering to installation to the completed project.

The latest family of Blast luminaires brings high performance, precision control, and remarkable flexibility to today's demanding white, color, and dynamic color applications. But it still retains the no-compromises quality and rock-solid reliability that earned Blast its unequalled reputation.



Photography: Ralph Cole

Blast Powercore gen4 means flexibility

Unmatched flexibility is Blast gen4's greatest strength, enabling it to be used for flood lighting, wall washing, spot lighting, direct-view lighting, and other applications.

With Blast gen4, you can create a remarkably broad range of subtle and sophisticated lighting effects that attract a crowd—then deliver engaging, evolving experiences that keep people coming back. Transition from white light during the day to vivid color at night. Match corporate colors with remarkable accuracy. Create lighting that responds to weather conditions, current events, the changing seasons, and more. Scale from a few luminaires to thousands, all performing with exceptional consistency—as if they're operating as one. It's all possible with Blast gen4.

No matter how you use Blast gen4, you can rely on its rugged, compact, all-in-one design to handle constant vibration, corrosive salt winds, and water. And Blast gen4 is just part of a complete lighting solution that includes our broad and deep family of other LED luminaires, advanced Color Kinetics technologies, state-of-the-art controllers, Interact Landmark remote monitoring, and more.

Can one of the world's most popular LED flood lights get even better?

Yes—the latest generation of Blast Powercore adds major enhancements to a long list of proven strengths. While its compact form factor and robust design have remained similar over the years, Blast gen4 includes significant LED innovations, custom optics, simplified electronics, and other improvements. Here are just some of the ways that Blast gen4 takes flood lighting higher—and further—with higher output, greater efficacy, and color consistency.

The iconic ring at the top of the Empire State Building spire gets its sparkle from Blast gen4 luminaires.



The Empire State Building design is a registered trademark and used with permission by ESBC

Photography: John Brandon Miller

Higher Performance

Blast Powercore gen4 gives you more from your luminaire—more punch, higher application efficacy, and more accurate delivered light. To meet the needs of the most demanding applications, Blast gen4 delivers as much as 20 percent higher output than the previous Blast family offerings, making it ideal for projects that require maximum output. For maximum output (flux), choose a Blast gen4 luminaire that integrates IntelliHue technology—designed to provide high illuminance **and** exceptional color rendering.

High-quality Light

Blast gen4 features an innovative, redesigned optical system that improves the quality of light from each LED, enhancing color uniformity and color mixing capabilities. And these quality enhancements come without impacting performance. Blast gen4 luminaires that integrate IntelliHue technology include LED light sources carefully selected for superior color rendering (CRI) in the white range and fine control of color, color temperature, and tint. IntelliHue's impressive 80+ CRI lets it render color objects with high fidelity.

Uniform Coverage

Blast Powercore gen4 includes luminaires that feature Color Kinetics' breakthrough OptiField forward throw asymmetric optical technology—which enables uniformity of <4:1, eliminating hotspots and banding.

Advanced Color Consistency

All ColorBlast Powercore gen4 luminaires integrate Chromasync technology, which takes color consistency to the highest level of precision. With Chromasync enabled, colors are more consistent, regardless of the specific LEDs used, date of manufacture, and other variables—achieving color variation of less than 2 MacAdam ellipses (2 SDCM) across multiple luminaires.

New Accessories

Blast Powercore gen4 expands customization with a wide range of new accessory options—including diffuser lenses, different beam angles, and three main housing color choices (black, gray, and white). You can also add or combine a louver, rock guard, full glare shield, and half glare shield.

A Wide Range of Choices

Blast Powercore gen4 comes in six different light options, and can be fitted with an array of accessories specifically designed for the luminaire family. So there are many options to choose from when selecting the ideal Blast gen4 for the job.

When it comes to color, the six available light output options all offer unique qualities that can be utilized in different ways, depending on the requirements of your installation. IntelliHue is perfect for dialing in precise and consistent colors across multiple luminaires, while Essential White is the definitive choice for high quality white light. With so many options, the choice is yours.

IntelliHue

High-quality white light, subtle pastels, and saturated colors, all with unrivaled color accuracy across the entire range of color temperatures.

RGBW

Better-quality white light as compared to RGB.

RGBA

Expanded color range of warmer tones—gold, yellow, and orange, as compared to RGB.

RGB

Standard option for intensely saturated color light.

eW (Essential White)

White light in one of four color temperatures—2700 K, 3000 K, 3500 K, or 4000 K.

eColor (Essential Color)

Intensely saturated red, green, blue, or amber light for accent and other special applications.

Find the luminaire that's right for your project

Blast Powercore gen4 provides a remarkably broad selection of luminaires, enabling you to find the solution that helps you achieve your creative vision—and the specific goals of every project.

No matter what luminaire you choose, you get the high performance and exceptional reliability that define the entire Blast family.

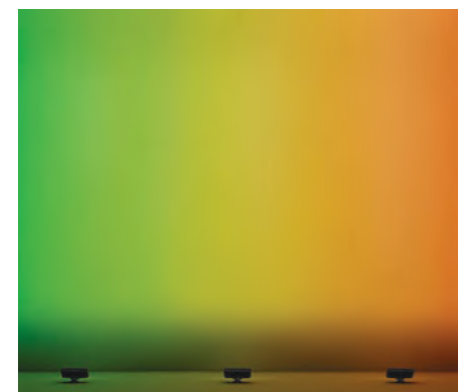
With Blast Powercore gen4, you can get color and white light in a range of four-channel options or traditional RGB—or choose an all-white eW luminaire.

Choose IntelliHue options for the ultimate in high-quality white light, plus the ability to tint and tune color. Select advanced luminaires that

integrate OptiField, our proprietary optical system, which delivers uniform, full-coverage light that dramatically simplifies and improves wall washing.

With Blast gen4, the choice is yours. No matter which you choose, the performance, quality, and reliability are always there.

How does OptiField technology boost uniformity?



For years, the inherent conical beam shape created by traditional optical systems was a given. Light made cones. To create uniformity required careful placement of multiple overlapping luminaires. The result? Banding, hot spots, and plenty of complexity.

Our OptiField technology changes all that. Its advanced optics create a panel-shaped beam pattern that delivers uniform, full-coverage light at a level of uniformity lighting designers need to light large areas brightly and evenly. When lighting professionals see an OptiField luminaire in action, they're amazed by the difference.

Now designers can achieve beautifully even light—and maximum impact.

ColorBlast IntelliHue Powercore gen4

For white light that you can tune and tint—plus dynamic color light, all in one luminaire



ColorBlast IntelliHue Powercore gen4 delivers exceptional white light, as well as rich, saturated, color light and color-changing effects—all in the same advanced precisely controllable luminaire. Breakthrough IntelliHue technology from Color Kinetics enables ColorBlast IntelliHue gen4 to produce millions of saturated colors and pastels, as well as tintable, tunable (from 1800 K to 10,000 K) white light. It's a combination that works well when you need a luminaire that can do it all, and give you greater control over your white light. IntelliHue achieves higher CRI—greater than 90 CRI—compared to RGBA and RGBW luminaires, ensuring high-quality white and color light.

ColorBlast IntelliHue Powercore gen4, OptiField

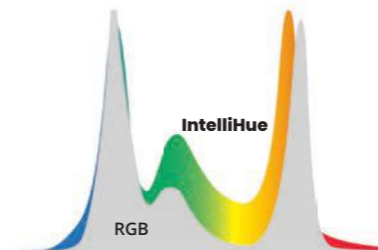
For exceptionally uniform light



ColorBlast IntelliHue Powercore gen4, OptiField provides the same capabilities as the core ColorBlast IntelliHue luminaire. Thanks to advanced IntelliHue technology, you get exceptional white light you can tune and tint, as well as rich, saturated, color light and color-changing effects—all in the same advanced precisely controllable luminaire.

But you also get another significant advantage—OptiField technology from Color Kinetics, which revolutionizes forward throw asymmetric optics. ColorBlast IntelliHue Powercore gen4, OptiField achieves a new level of uniformity of 4:1 (max:min) while doubling the vertical surface illuminance—making it ideal for exceptionally smooth wall washing without hotspots or banding. This remarkable uniformity reduces the number of luminaires and energy required. And luminaire rotation lets you adjust a luminaire to match your vision—depending on the desired effect, luminaire angle, and wall height.

IntelliHue brings high output and high CRI



IntelliHue luminaires expand the possible output wavelengths significantly—especially when compared with traditional RGB output. And no matter what wavelength you choose, IntelliHue delivers high illuminance.

	IntelliHue	IntelliHue, OptiField
Power consumption	50 W	50 W
Beam angles	10°, 20°, 40°, 60°, 80°, 10° x 40°	Wall Washing
Lumens	2,012 to 2,434	1,753

ColorBlast Powercore gen4

RGBW, RGBA, RGB—choose the Burst gen2 luminaire that meets your specific needs



ColorBlast lets you choose the right 4-channel solution for your application—including IntelliHue (see page 8), RGBA, or RGBW. If you need a traditional three-channel option, we offer RGB options, too.

ColorBlast Powercore gen4, RGBW luminaires add a separate white LED that creates better-quality whites than possible with traditional RGB. Choose it when you need high-quality white light and color in the same luminaire.

ColorBlast Powercore gen4, RGBA luminaires add a separate amber LED that expands the available range of colors to include warmer tones, such as rich gold, yellows, and oranges.

Blast gen4 doesn't leave RGB behind

Not all applications require four-color luminaires. That's why we offer Intelligent Color luminaires—the standard RGB option for intensely saturated light.

With ColorBlast Powercore gen4, RGB you get all of the strengths and advanced technology of Blast gen4 in a traditional RGB solution.

ColorBlast Powercore gen4, OptiField

RGBW, RGBA, RGB OptiField—for exceptionally uniform light



Add OptiField technology for remarkable uniformity with ColorBlast Powercore gen4, RGBW OptiField, ColorBlast Powercore gen4, RGBA OptiField, and ColorBlast Powercore gen4, RGB OptiField.

ColorBlast Powercore gen4, RGBA OptiField luminaires add a separate amber LED that delivers a range of warm colors with extremely full coverage illuminance, providing smooth, even light and subtle shading.

And you can choose ColorBlast Powercore gen4, RGB OptiField to get the remarkable uniformity enabled by our breakthrough optical system. These options are ideal for installations already using RGB luminaires, or for projects that simply don't need four-channel capabilities.

	RGBW	RGBW, OptiField	RGBA	RGBA, OptiField	RGB	RGB, OptiField
Power Consumption	50 W	50 W	50 W	50 W	50 W	50 W
Beam Angles	10°, 20°, 40°, 60°, 80°, 10° x 40°	Wall Washing	10°, 20°, 40°, 60°, 80°, 10° x 40°	Wall Washing	10°, 20°, 40°, 60°, 80°, 10° x 40°	Wall Washing
Lumens	1,772 to 2,162	1,524	1,532 to 1,852	1,227	1,444 to 1,755	1,157

eW Blast Powercore gen4 and eColor Blast Powercore gen4

High-intensity color and white luminaires give you even more options



Some applications only require limited color or white flood lighting. That's why the Blast gen4 family includes eColor (Essential Color) and eW (Essential White) options.

Choose eColor Blast Powercore gen4 when you want intensely saturated solid red, green, blue, or amber light for accenting or other special applications.

And eW Blast Powercore gen4 provides a high-intensity wash of white light in four color temperatures (2700 K, 3000 K, 3500 K, and 4000 K).

Custom options expand your choices even more

Our eColor and eW luminaires are available in additional colors and color temperatures to produce the exact shade of colored or white light your project needs, from royal blue (eColor Blast gen4) to 2200 K white (eW Blast gen4), and many more.

No matter what Blast gen4 luminaire you choose, you get the flexibility of selecting an option that matches your specific needs—plus the confidence that comes from choosing a high-performance luminaire with a proven track record of reliability.

With eW Blast Powercore gen4, OptiField, you get the simplicity of a white-only luminaire with the uniform, full-coverage light created by our advanced optical system.

eW Blast Powercore gen4, OptiField

For exceptionally uniform light



	eW	eW, OptiField	eColor
Power Consumption	50 W	50 W	50 W
Beam Angles	6°, 20°, 40°, 60°, 80°, 10° x 40°	Wall Washing	6°, 20°, 40°, 60°, 80°, 10° x 40°
Lumens	2,687 to 3,213	2,521 to 2,677	-

Our advanced technologies raise the bar

Color Kinetics is setting new standards for consistency and accuracy by developing advanced technologies that are integrated into our luminaires, including Blast gen4. These technologies work together to deliver the ever-escalating levels of accuracy and performance required by our customers—and their innovative and ambitious projects.

Optibin

Our LED optimization technology begins the color consistency process by grouping (or binning) LEDs by flux as well as center wavelength. This proprietary binning optimization process uses an advanced bin selection formula that exceeds industry standards for chromaticity. The result? Higher uniformity and consistency of hue and color temperature for all our luminaires. Integrated into all Blast gen4 luminaires.

IntelliHue

Our advanced approach to color mixing produces high-quality white light, subtle pastels, and fully saturated colors in the same precisely controllable luminaire. All with unrivaled color accuracy across the entire range of color temperatures. Available on Blast gen4 IntelliHue luminaires.

Chromasync

Our advanced output optimization technology controls and boosts output while ensuring color consistency. When enabled, Chromasync ensures excellent color consistency between luminaires, without manually adjusting color points on each luminaire. And it ensures the same lumen output across all color temperatures. Integrated into all ColorBlast gen4 luminaires.

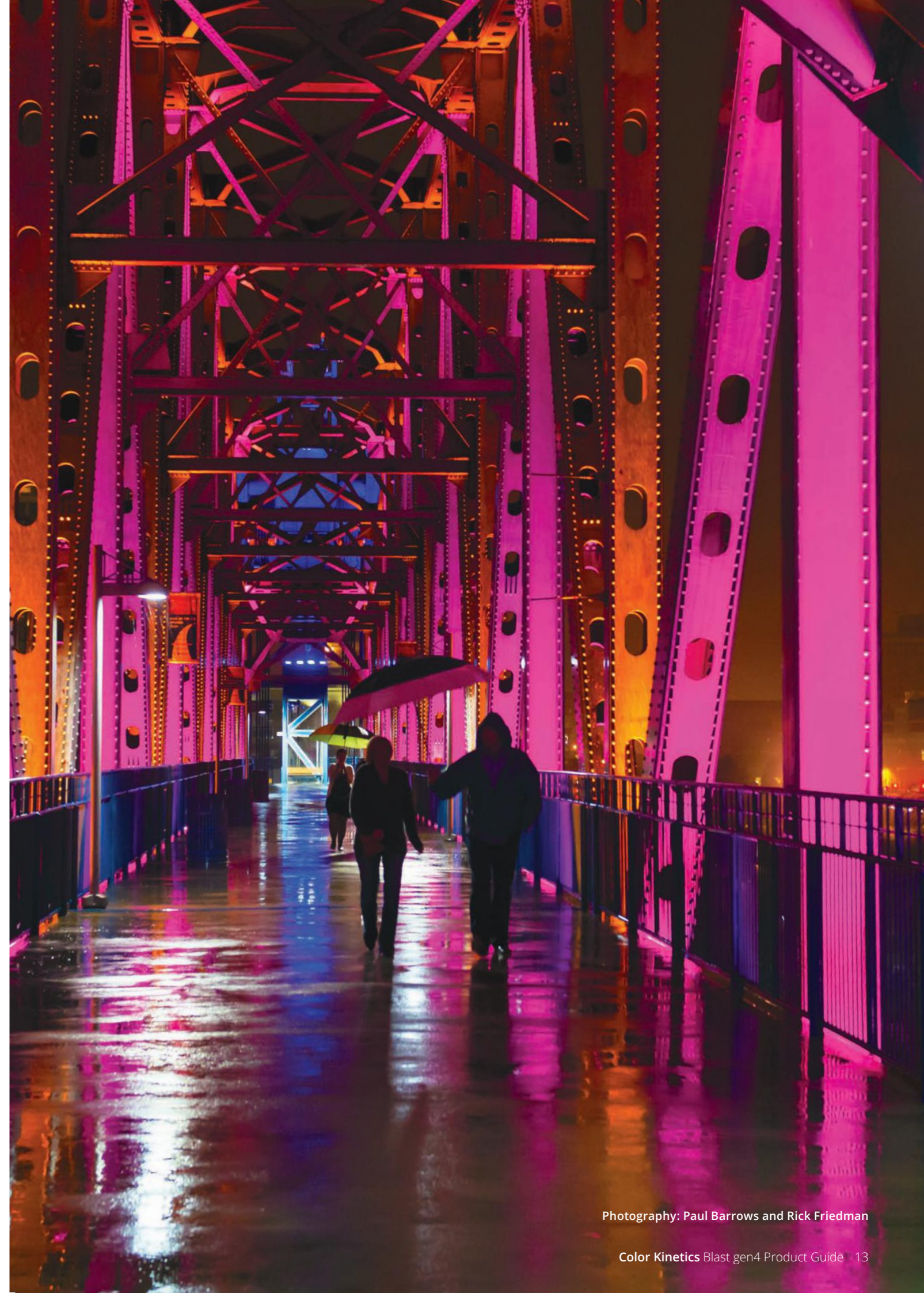
Powercore

Our patented approach to power output proves that simple is better. As well as faster, more efficient, and accurate. Powercore controls power output to luminaires directly from line voltage. It merges line voltage with control data and delivers both over a single standard cable—dramatically simplifying installation and lowering total system cost. Integrated into all Blast gen4 luminaires.

OptiField

Our proprietary optical technology rethinks beam shape to deliver beautiful light with remarkable evenness. With OptiField, our luminaires achieve unparalleled uniformity and eliminate hotspots and banding. The result of a decade of research and development, OptiField's freeform optic creates a breakthrough rectangular beam that covers large surfaces with full, bright, even light. And OptiField can cover more surface area with fewer luminaires—simplifying installation while lowering energy use. Available on Blast gen4 OptiField luminaires.

To find out how innovative technologies within our advanced luminaires can help you do more, visit www.colorkinetics.com/Learn.



Take a closer look

Choose Blast Powercore gen4 luminaires for higher output, greater efficacy, and color consistency. Add OptiField technology for remarkable uniformity.

Rugged form factor

The heavy-duty cast aluminium form factor meets: ASTM B117 standard for > 1,500 hours of corrosion resistance. ANSI C136.31-2010 standard with a 3G vibration rating. IK10 mechanical rating.

The right option for any application

Choose from six light options:
IntelliHue
RGBW
RGBA
RGB
eW (Essential White)
eColor (Essential Color)

Controller compatibility

Blast Powercore gen4 works seamlessly with the complete Color Kinetics line of controllers, including ColorDial Pro, iPlayer 3, and Light System Manager—as well as third-party controllers.



No pooling

Smart design keeps water from pooling, and keeps the luminaire safe and dry.

Precision dimming

eW Blast gen4 offers smooth dimming down to 1% with optional Data Enabler Pro and digital control interface.

Optional wiring compartment

Allows for proper mounting and splicing of user supplied wiring.



A full line of accessories

A wide range of accessory options lets you customize Blast gen4. In addition to the native 10° (6° for eW and eColor) lens, five different diffuser lenses can customize the luminaire to produce 20°, 40°, 60°, 80°, and 10° x 40° (asymmetric) beam angles. Three housing color choices (black, gray, and white)—plus the option to add or combine a louver, half glare shield, full glare shield, rock guard, and mounting arms—create new aesthetic possibilities for designers and architects.



Exceptional lighting takes more than a luminaire

To unlock the full potential of your Blast gen4 luminaires, you need the right components to power and control them. Color Kinetics completes your solution with:

Controllers

Our broad line of controllers brings you differing capabilities that match your specific needs, the complexity of your project, and your budget. Our controllers offer the industry-standard DMX protocol, or our proprietary, scalable KiNET protocol for Ethernet networks. Because of addressing limitations, DMX is appropriate for relatively simple installations, or for light shows in which multiple Blast gen4 luminaires operate in unison.

Because it is not subject to DMX addressing limitations, Ethernet is the preferred environment for intricate color-changing light shows. And Blast Powercore gen4 can also be used with third-party controllers.



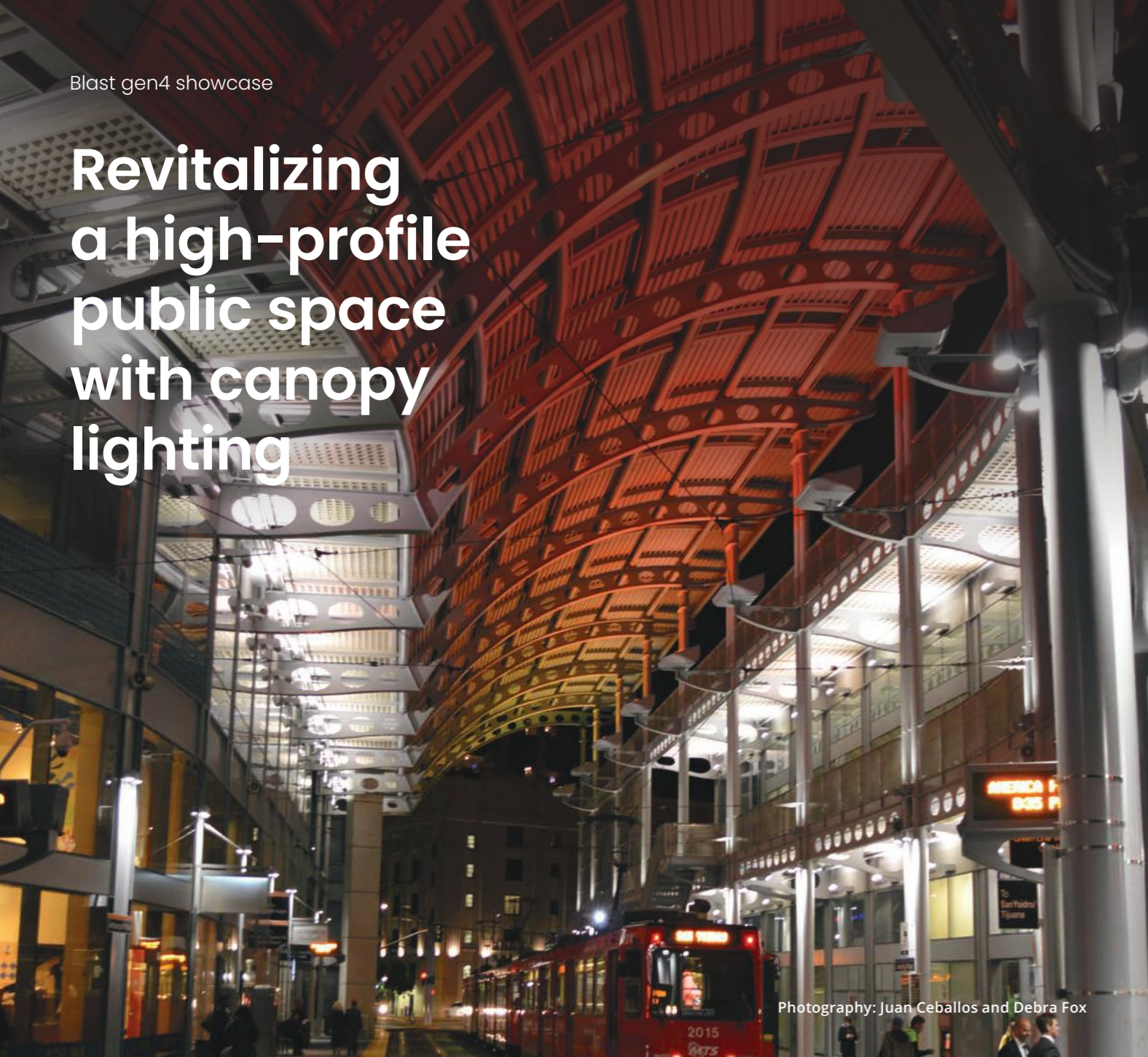
Power/Data Supplies

All Blast Powercore gen4 luminaires accept either DMX or Ethernet input and 100 to 277 VAC power from Data Enabler Pro.

Monitoring and Management

Interact Landmark (formerly Philips ActiveSite) is the first-ever cloud-hosted connected lighting system for architectural LED lighting installations. Interact Landmark allows you to remotely monitor, manage, and maintain an installation site from anywhere in the world, using a secure web connection.

Revitalizing a high-profile public space with canopy lighting



Photography: Juan Ceballos and Debra Fox

The San Diego Trolley Station at One America Plaza features a stunningly illuminated canopy of steel girders and opaque glass that delights travelers and helps ensure their safety.

ColorBlast Powercore gen4, RGB luminaires uplift the canopy with dynamic color lighting during operating hours—including more than 30 programmed lighting shows. After hours, iW Blast Powercore (now specified with ColorBlast IntelliHue Powercore gen4) luminaires provide exceptionally bright white light that increases safety and security in this highly traveled area of San Diego.

Product	ColorBlast Powercore gen4, RGB
Details	6 Blast gen4 luminaires in each metal shroud

Illuminating a 17th-century sanctuary



Photography: Egea

The Zapopan Basilica (Basílica de Nuestra Señora de Zapopan) and America's Square (Plaza de las Americas John Paul II) uses innovative lighting to create a memorable outdoor experience after dark.

The Zapopan Basilica and America's Square lighting strategy, launched in July 2017, has improved the economic, touristic, and cultural development of the area. A balanced relationship between the government and citizens has helped this scalable project to boost the quality of life in the city and significantly improve the tourist experience and the city's image. The iW Blast Powercore luminaire provides intelligent white light throughout the square.

Products	iW Blast Powercore, iW Graze MX Powercore, and C-Splash 2
Details	iW Blast luminaires provide intelligent white light throughout the square, iW Graze MX luminaires highlight architectural features, and C-Splash 2 luminaires provide vibrant, changing colors in the square's fountains.

Taking innovative light shows higher in Berlin



Photography: Alexander Weckmer Licht und Mediensysteme GmbH

The Sony Center is an international commercial, communication, and cultural hub in Berlin, Germany, that features a prominent architectural element.

The Forum is a roofed public square that comes alive at night with fascinating, ever-changing light shows. The Color Kinetics lighting solution that enables these color-changing light shows combines ColorBlast Powercore and ColorReach Powercore luminaires in one integrated, cutting-edge solution. Powerful and flexible, these luminaires cover each individual, sail-shaped element of The Forum with a choice of more than 16 million vibrant colors—while cutting energy consumption by more than 70 percent.

Products	ColorBlast Powercore and ColorReach Powercore
Details	Luminaires were individually positioned to achieve uniform illumination to each sail-shaped element.

Transforming a historic bridge with light and motion



Photography: Darius Kuzmickas

The Big Four Bridge—which connects Louisville, Kentucky and Jeffersonville, Indiana is much more than a bridge.

It's also a pedestrian walkway, bicycle path, art installation, and popular attraction. Central to the bridge's success is dynamic color light from Color Kinetics. ColorBlast Powercore luminaires illuminate the steel structure with dazzling light, washing the bridge every night with brilliant hues of slowly shifting colors. And the city of Louisville can customize the lighting for holidays and civic events.

Products	ColorBlast Powercore and ColorBurst Powercore
Details	ColorBurst Powercore luminaires (14°, 23° beam angles) were mounted to the steel structure under the arches and along the deck. ColorBlast Powercore luminaires (23°) were placed inside hollow beams to provide stunning contrast.

Creating pylons of light that welcome travelers



Photography: Los Angeles World Airports, Color Kinetics

LAX is one of the most high-traffic airports in the world. The 61 million travelers leaving or arriving in Los Angeles each year see the airport's iconic pylons, which create visual impact and brand the airport.

Inside the pylons, you'll find 200 ColorBlast Powercore gen4 luminaires, which backlight the frosted-glass panels. ColorBlast luminaires can deliver more than 16 million colors at the push of a button, providing illumination as colorful and dynamic as the city itself—all while reducing energy consumption and maintenance significantly.

Product	ColorBlast Powercore gen4
Details	Up to 200 luminaires illuminate each of the LAX Gateway's 26 glass pylons which range in height from 7.6 to 33.5 m (25 to 110 ft).

Updating one of England's largest, best-known entertainment venues



Photography: Tom Cronin

Eventim Apollo (previously Hammersmith Apollo) is a popular entertainment venue in West London, England, with a long, illustrious past—hosting diverse entertainers from Duke Ellington to David Bowie.

To create a stunning visual experience for present-day visitors, lighting designers turned to Color Kinetics ColorBlast Powercore, ColorBurst Compact Powercore, and ColorReach Powercore luminaires. These advanced LED luminaires work together to bring rich, glowing color light to the building's façade—including its bold columns and distinct marquee—while preserving its original character.

Products	ColorBlast Powercore, ColorBurst Compact Powercore, and ColorReach Powercore
Details	Three types of Color Kinetics luminaires bring the bold columns and distinct marquee to life with saturated rich colors.

Specifications and information

Measurements for 10° native beam angle shown (6° for eW). Additional beam angle measurements can be found on the respective Blast Powercore gen4 product pages.

Products	Power consumption	Lumens	Efficacy lm/W	CRI
ColorBlast IntelliHue Powercore gen4	50 W	2,012 to 2,434	39.3 to 50.8	81 to 92
ColorBlast IntelliHue Powercore gen4, OptiField	50 W	1,753	36.9	71
ColorBlast Powercore gen4, RGB	50 W	1,444 to 1,755	32.9 to 38.8	
ColorBlast Powercore gen4, RGB OptiField	50 W	1,157	25	
ColorBlast Powercore gen4, RGBA	50 W	1,532 to 1,852	29.9 to 38.6	
ColorBlast Powercore gen4, RGBA OptiField	50 W	1,227	25.8	
ColorBlast Powercore gen4, RGBW	50 W	1,772 to 2,162	34.5 to 44.9	
ColorBlast Powercore gen4, RGBW OptiField	50 W	1,524	31.8	
eColor Blast Powercore gen4	50 W			
eW Blast Powercore gen4	50 W	2,687 to 3,213	55.4 to 67.4	81 to 84
eW Blast Powercore gen4, OptiField	50 W	2,521 to 2,677	52.7 to 55.8	81 to 84

General information

Beam Angles	Wall Washing (OptiField) 10° native (6° native for eW and eColor) 20°, 40°, 60°, 80°, and 10° x 40° (asymmetric)
LED Channels	IntelliHue—Red/Green/Blue/Mint White RGBW—Red/Green/Blue/White RGBA—Red/Green/Blue/Amber RGB—Red/Green/Blue eW—2700 K, 3000 K, 3500 K, or 4000 K eColor—Red, Green, Blue, or Amber
Input Voltage	100 to 277 VAC, auto-ranging, 50/60 Hz
Housing Material	Die-cast aluminium, powder-coated finish
Lens	Clear tempered glass
Vibration Resistance[†]	Complies with ANSI C136.31, 3G
Mechanical Impact	IK10
Corrosion Resistance	Complies with ASTM B117 standard for > 1,500 hours
Approbations	UL/cUL, FCC Class A, FCC Class B, CE, PSE, CQC, RCM, EAC, UA
Environment	Dry/Damp/Wet Location, IP66
Weight	3.9 kg (8.2 lb)
Dimensions	183.7 x 337.8 x 171.2 mm (7.2 x 13.2 x 6.74 in)

[†] When mounting to a junction box, the Color Kinetics wiring compartment accessory must be used to maintain a 3G vibration rating.

For further information

Blast gen4 is available in six different light options, and three housing colors. It can be fitted with an array of accessories specifically designed for the luminaire family. Complete details of every family, including Installation Instructions, Specification Sheets, .ies files, and product drawings, can be found on the respective product pages.



ColorBlast IntelliHue Powercore gen4

ColorBlast IntelliHue Powercore gen4, OptiField



ColorBlast Powercore gen4, RGBW

ColorBlast Powercore gen4, RGBW OptiField

ColorBlast Powercore gen4, RGBA

ColorBlast Powercore gen4, RGBA OptiField

ColorBlast Powercore gen4, RGB

ColorBlast Powercore gen4, RGB OptiField



eW Blast Powercore gen4

eW Blast Powercore gen4, OptiField



eColor Blast Powercore gen4

Accessories

Accessory options let you customize Blast gen4. Specification Sheets and product drawings can be found on the respective product pages.



Spread lenses, trim rings, louvers, glare shields, and rock guards



Mounting Arms

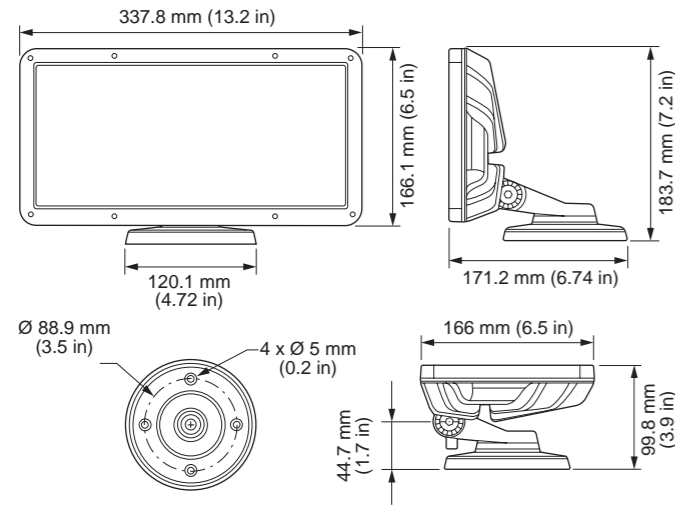


Optional wiring compartments

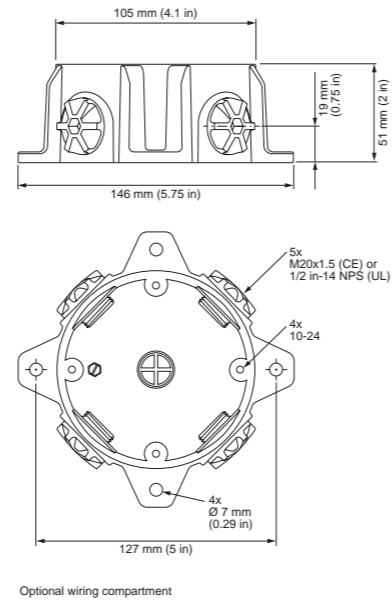
If you don't see what you need, a wide range of custom configurations are available.

Dimensions

Blast Powercore gen4



Optional wiring compartment



Configuration and planning

Regardless of the size and complexity of your installation, the planning time you spend up front can help streamline the installation and configuration of your luminaires. Keep these points in mind as you plan your installation:

Create a lighting design plan that identifies and locates all luminaires, Data Enabler Pro devices, and controllers. Use **Configuration Calculator** to determine how many luminaires you can install in a single run, and the maximum distances between Data Enabler Pro devices, luminaires, and controllers.

Blast Powercore gen4 luminaires operate in 8-bit mode by default. To address luminaires, including switching between 8-bit mode and 16-bit mode, download **QuickPlay Pro**.

Determine whether to address luminaires and configure your lighting system offline or interactively. With offline configuration, you stage and configure your system off-site, prior to installation. Offline configuration can be convenient when luminaires are to be installed in multiple locations or locations with difficult access. Interactive configuration is typically performed by an experienced technician, after luminaires have been installed. The interactive method can save time, since you only connect and test your luminaires once.

Accessories

	Item Number	Item 12NC
Trim Ring, Black (Required for mounting spread lens)	120-000185-01	912400130337
Trim Ring, Gray (Required for mounting spread lens)	120-000185-15	912400133530
Trim Ring, White (Required for mounting spread lens)	120-000185-00	912400130336
Louver, Black	120-000185-05	912400130341
Louver, Gray	120-000185-17	912400133532
Louver, White	120-000185-04	912400130340
Rock Guard, Black	120-000185-07	912400130343
Rock Guard, Gray	120-000185-18	912400133533
Rock Guard, White	120-000185-06	912400130342
Half Glare Shield, Black	120-000185-14	912400133534
Half Glare Shield, Gray	120-000185-19	912400133535
Half Glare Shield, White	120-000185-13	912400130349
Full Glare Shield, Black	120-000185-03	912400130339
Full Glare Shield, Gray	120-000185-16	912400133531
Full Glare Shield, White	120-000185-02	912400130338
20° Spread lens	120-000185-08	912400130344
40° Spread lens	120-000185-09	912400130345
60° Spread lens	120-000185-10	912400130346
80° Spread lens	120-000185-11	912400130347
10° x 40° Asymmetric Spread lens	120-000185-12	912400130348
Wiring Compartment UL/cUL, Black	106-000011-30	910503704147
Wiring Compartment CE, Black	106-000011-40	910503703275
Wiring Compartment UL/cUL, Gray	106-000011-32	910503704149
Wiring Compartment CE, Gray	106-000011-42	910503703277
Wiring Compartment UL/cUL, White	106-000011-31	910503704148
Wiring Compartment CE, White	106-000011-41	910503703276
Power Supplies		
Data Enabler Pro 3/4 in / 1/2 in NPT (U.S. trade size conduit)	106-000004-00	910503701210
Data Enabler Pro PG21/PG13 (metric size conduit)	106-000004-01	910503701211

© 2020 Signify Holding. All rights reserved. The information provided herein is subject to change, without notice. Signify does not give any representation or warranty as to the accuracy or completeness of the information included herein and shall not be liable for any action in reliance thereon. The information presented in this document is not intended as any commercial offer and does not form part of any quotation or contract, unless otherwise agreed by Signify.

All trademarks are owned by Signify Holding or their respective owners.

Cover photography credits: Courtesy of Alexander Weckmer Licht und Mediensysteme GmbH Didier Ng Wei Chi; Karen Mitchell



www.colorkinetics.com