



PWMA-840
OPERATING INSTRUCTIONS

SINGLE VHF WIRELESS
BATTERY POWERED PA SYSTEM
WITH ECHO AND CASSETTE



GENERAL DESCRIPTIONS

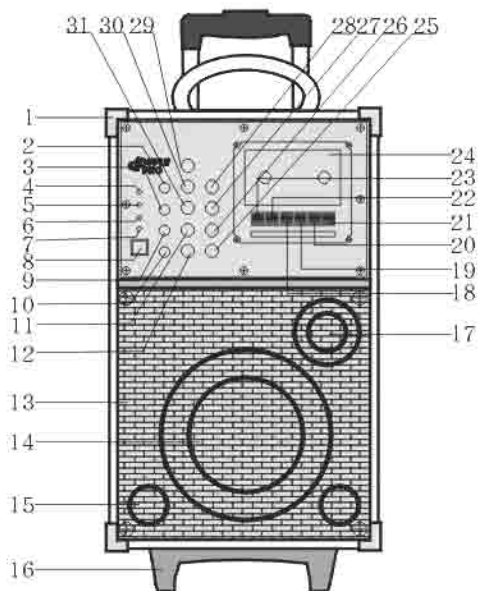
1. It is consist of one set of wireless and two wired microphone input circuits, both of them has separated volume control.
2. VHF high band wireless transmitter and receiver
3. It is equipped with built-in 7AH/12V rechargeable battery which can be charged 6 hours continuously, also DC power can be used directly.
4. One guitar input function and one audio input unit both are supplied.
5. Treble and bass control are supplied.
6. Echo control is supplied.
7. With voltage selector switch for selecting a suitable one according to different countries.
8. Radio cassette function is supplied.

REMARKS

1. Correct power must be used, don't use any other power except the specified one.
2. Don't drag the power cable when pull out the plug, just hold the plug to pull it out from socket.
3. Don't open chassis: it is very dangerous either open the chassis or put your hand inside the chassis, don't do it. If the device is not under normal working, pull out the plug at once and contact your retailer or the nearest distributor.
4. Don't take volatile solvent such as toluene, alcohol, gasoline to clean the surface.
5. Please don't put it in an unventilated environment or at direct sunlight in summer.
6. Avoid moisture or rain.

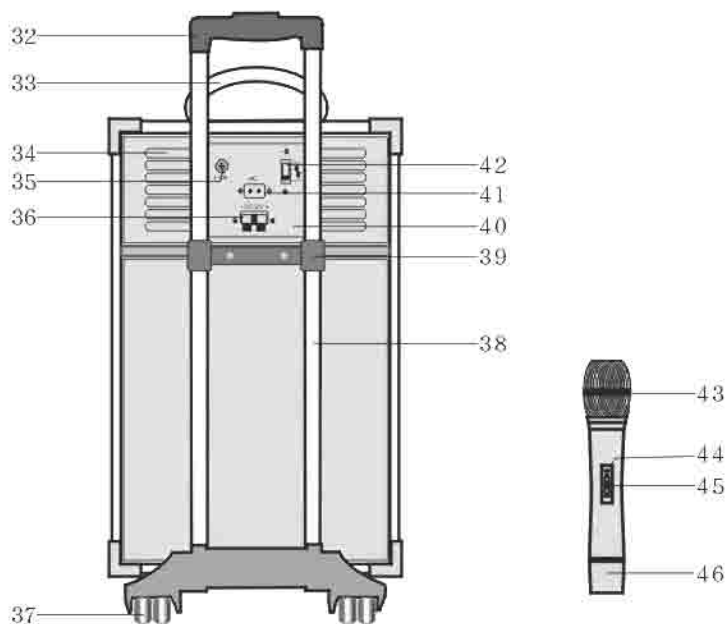
SYSTEM FUNCTIONS FIGURE

- | | |
|----------------------------------|---------------------------------------|
| 1. Metal corner for protection | 17. Tweeter |
| 2. Input jack for Mic 1 | 18. Forward button for tape |
| 3. Input jack for Mic 2 | 19. Rew button for tape |
| 4. RF signal indicator | 20. Open/close button for tape |
| 5. Charge indicator | 21. Pause button for tape |
| 6. Low battery indicator | 22. Play button for tape |
| 7. Power indicator for amplifier | 23. Record button for tape |
| 8. Power switch for amplifier | 24. Cassette holder |
| 9. GUITAR INPUT 1 | 25. Bass control |
| 10. Audio input jack | 26. Treble control |
| 11. Volume control for guitar | 27. Echo control |
| 12. Audio volume control | 28. CD/TAPE volume control |
| 13. Metal shield for sound box | 29. Main volume control for amplifier |
| 14. Woofer | 30. Volume control for W/Mic 1 |
| 15. Exhaust pipe | 31. Volume control for Mic 2 |
| 16. Stand for sound bo | |



SYSTEM FUNCTIONS FIGURE

- | | |
|-----------------------------|--------------------------------------|
| 32. Trailer handle | 40. Rechargeable Battery Cover |
| 33. Handle for sound box | 41. 2PIN power socket |
| 34. Heating Pane | 42. 110/220V voltage selector switch |
| 35. Ac Fuse | 43. Mic head |
| 36. External DC input jack | 44. RF Indicator Of Handheld Mic |
| 37. Truckle of trailer | 45. Power Switch Of Handheld Mic |
| 38. Trailer pole | 46. Battery Housing Of Handheld Mic |
| 39. Fixed stand for trailer | |



INSTRUCTIONS

1. Confirm the power

- ① AC Power: Before operation, please confirm the voltage is same as the specified one marked on the label. If not, the unit will be damaged.
- ② Built-in Rechargeable Battery: You needn't plug-in the AC power when the voltage for rechargeable battery is enough but use the battery directly.
- ③ When the Low Voltage Indicator comes on yellow, it indicates the battery voltage is not enough, please charge it in time.
- ④ When the Low Voltage Indicator comes out, it indicates the voltage is standard now.
- ⑤ If the unit is not used for a long time, please charge the rechargeable battery every 2 months, 8-10 hours for each time.

2. Operation Instructions:

- ① Plug the power cable into the socket and connect it with this amplifier system.
- ② Switch on the amplifier, the Power Indicator comes on red.
- ③ Put a 9V battery into handheld microphone
push the Power Switch to middle, the Power Indicator will flash once, RF Indicator comes on green, the speakers are quiet.
- ④ Push the Power Switch of handheld microphone
to ON position, your sound can be heard from amplifier when speaking. Adjust the Volume Control/Echo Control/Treble Control/Bass Control to proper position to avoid feedback.
- ⑤ If the Power Indicator of handheld microphone
comes on at all times, it indicates the battery lack of power, please replace the battery.
- ⑥ Connect relative cable of guitar with Guitar Input Jack on this system, you can play wonderful music.

INSTRUCTIONS

3. Wireless Microphone:

- ① Two way wired microphone input jacks are supplied for two people use simultaneously.
- ② Plug wireless microphones into the jacks separately.
- ③ Adjust Echo Control to get better sound.
- ④ Adjust the volume of each microphone to make sure the sound is satisfactory.

4. Radio Cassette

- ① Normal play : First turn on the power switch/volume control for the tape, press "STOP/EJECT" button to open the compartment. Then put a cassette inside, press "PLAY" button to start playing. Finally adjust main/tape volume control/Treble/Bass control to get perfect Karaoke effect.
- ② Tape recording : First open the compartment, put a vacant cassette inside. Then press "REC" and "PLAY" button together to start recording, the signal from wireless/wired microphone and other external audio devices will be recorded on the cassette

PARAMETER

AMPLIFIER

Power supply:	<input type="checkbox"/> AC220V/50Hz <input type="checkbox"/> AC110V/60Hz including a built-in 12V7AH rechargeable battery
Frequency response:	35Hz-20KHz
SPL:	94dB (1W/M)
T.H.D:	<1%
Input wired mic:	-58dBV 600
Speaker:	8" woofer, 3" tweeter
RMS power:	150W
Input jack:	2×1/4" wired mic jack, 1×1/4"GUITAR IN jack 1× Audio/Video input jack

PARAMETER

RECEIVER

Carrier frequency range:	177-205 MHz.
RF sensitivity:	≤ -101 dB
Image rejection:	≥ 60 dB
S/N ration:	≥ 65 dB
Operation range:	100 ft

TRANSMITTER

Carrier frequency range:	177-205 MHz
RF power output:	≤ 10 mW
Modulation level:	15K
Operation temperature:	-18°C -60°C
Power supply:	9V
Unit Battery Life:	Approx. 5 Hours
Mic Battery Life:	Approx. 45 Hours