

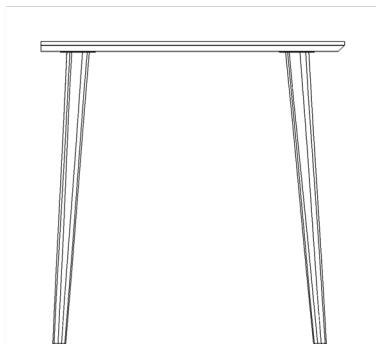
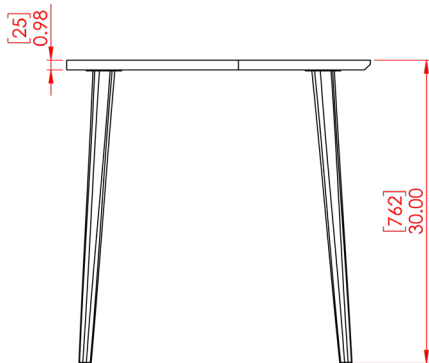
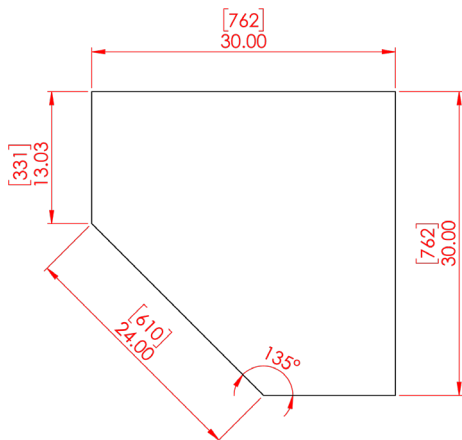
ELITE WORKSTATION CORNER DESK

GFW-ELITEDESKCRNR

GATORFRAMEWORKS

COPYRIGHT GATOR CO. • ALL RIGHTS RESERVED • 04/2021 • REV.A

PRODUCT DIMENSIONS



Compact Overall	30" x 30" x 30" (762 x 762 x 762mm)
Desk Surface	30" x 30" (762 x 762mm)
Material	Laminated Plywood with Powder Coated Steel Legs
Color/ Finish	Gray, Brown, or Maple Melamine Laminate with Matte Black Legs
Product Weight	22lbs (10kg)
Max Weight Capacity	100 lbs (45kg)

GATORFRAMEWORKS IS DEDICATED TO PRODUCING THE HIGHEST QUALITY STANDS AND ACCESSORIES. WE BACK UP THAT COMMITMENT WITH A 3 YEAR WARRANTY ON ANY MANUFACTURING DEFECTS IN MATERIAL AND WORKMANSHIP. THIS WARRANTY APPLIES TO THE ORIGINAL OWNER AND REQUIRES PROOF OF PURCHASE. OUR WARRANTY ENTITLES THE ORIGINAL OWNER REPAIR OR REPLACEMENT OF THE PRODUCT OR REPLACEMENT WITH A COMPARABLE PRODUCT OF SIMILAR VALUE AND CONDITION AT OUR DISCRETION. THIS WARRANTY IS LIMITED TO GATOR FRAMEWORKS PRODUCTS ONLY AND EXCLUDES LOSS OF PERSONAL PROPERTY, LOSS OF USE, ACCIDENTAL DAMAGE, MISUSE, OR NORMAL WEAR AND TEAR.



5112 W. Linebaugh Ave. • Tampa, FL • Phone: (+1) 813.221.4191 • Fax (+1) 813.221.4181

Visit GatorCases.com for more service & product information • All rights reserved Gator Co.

FOR FULL WARRANTY INFORMATION VISIT

GATORFRAMEWORKS.COM