

# GFW-ELITEDESKRK

ELITE WORKSTATION RACK TABLE

## ASSEMBLY INSTRUCTIONS

# GATOR FRAMEWORKS

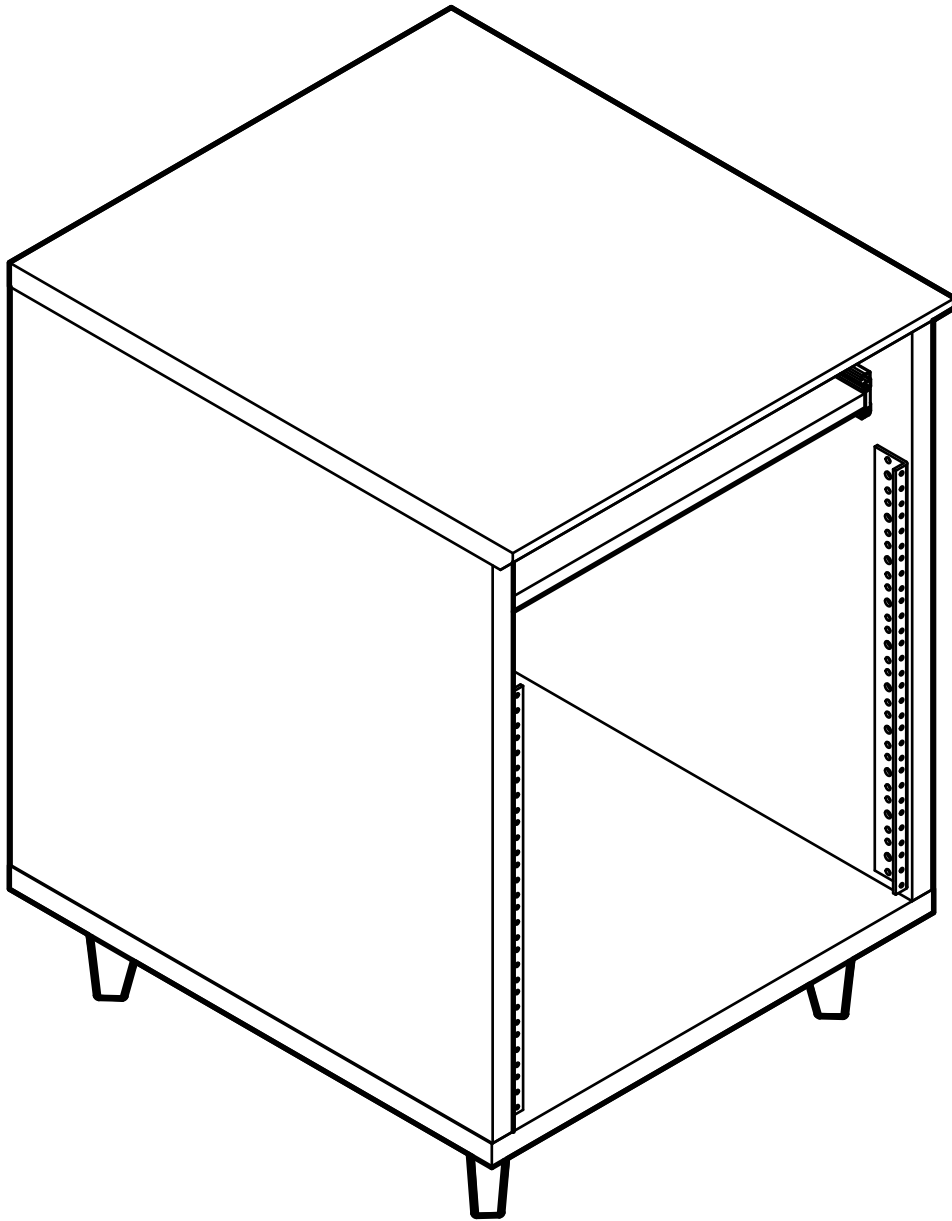


THIS PRODUCT COMES AS ONE (1) PACKAGE.

**Rack Table Cabinet & Tray: (1 of 1)**

Dimensions: 25.2"/64cm x 22"/56cm x 5.2"/13cm

Weight: 55lbs/25kg

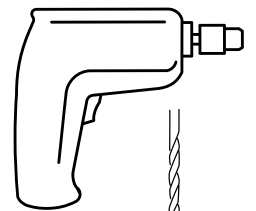
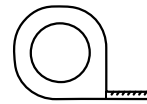
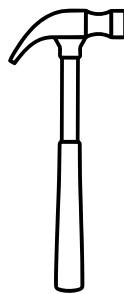


Rack Table: **275lbs (evenly distributed)**

Top: **100lbs**

10U Rack Gear: **150lbs**

Tray: **25lbs**



3mm  
1/8"

8mm  
5/16"



5112 W. Linebaugh Ave. • Tampa, FL • Phone: (+1) 813.221.4191 • Fax (+1) 813.221.4181

©2021 Gator Co. • Visit [www.gatorframeworks.com](http://www.gatorframeworks.com) for more service & product information • All rights reserved

# CAUTION



FAILURE TO FOLLOW THESE WARNINGS OR FOLLOWING ASSEMBLY INSTRUCTIONS, MAY RESULT IN PROPERTY DAMAGE, SERIOUS BODILY INJURY OR DEATH.

- This unit contains small parts and packaging which could be a choking hazard for small children. Children should always be under adult supervision.
- Always unload unit and unplug all cables prior to moving the unit. The weight of personal belongings, or a snagged cable could cause the unit to become unstable and either tip or collapse.
- Do not slide the unit across the floor, as this may cause leg failure and the workstation could collapse.
- Do not overload any surface of the unit. The top or sides could collapse. (See cover page for max weight load)
- Rack table must be either be secured to the workstation top or corner table with the provided brackets and hardware, or to a wall with with the provided anti-tip kit.
- Do not climb, step, or excessively lean on the unit. The unit may become unstable and either tip or collapse.
- Do not attach or overload the sides, rear, or front of the unit, unless specified as an accessory, as this can create a force which can cause the unit to tip.
- After mounting the cam posts and dowels to the panels, be careful to not hit the cam posts and dowels prior to final assembly as damage and misalignment can occur to the mounting of the parts. This may cause the unit to not assemble correctly and create an unstable unit.
- Use hand tools for assembly to prevent damage like stripping or overtightening hardware.
- You may use a power drill to pre-drill holes for attaching brackets. Be sure to follow proper safety procedures when using power tools.
- We recommend you protect your work surface during assembly to prevent scratching or damage to tabletops, wood floors, etc.
- All cables must be disconnected before moving equipment, or unit could become unstable and either tip or collapse.
- It is recommended to have assistance when assembly steps require flipping unit over or units require moving into place.
- Excercise caution if you see this (symbol)  in the instruction guide.
- Wipe clean with a cloth dampened in a mild cleaner, then wipe dry with a clean cloth.

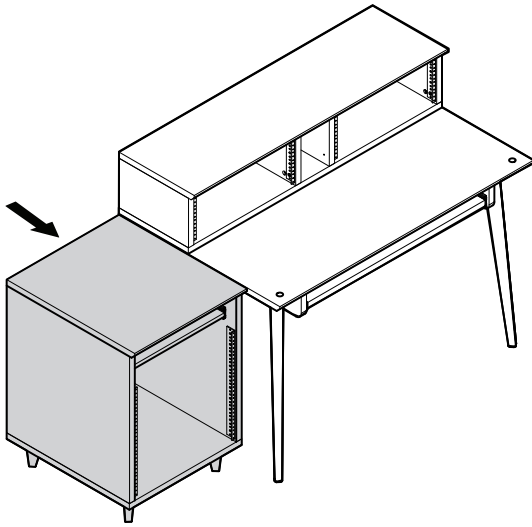


# CONFIGURATIONS

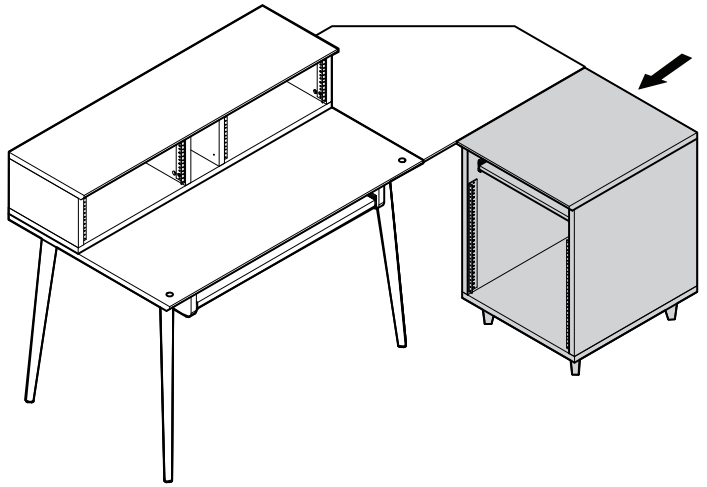
CAN BE REVERSED AND USED IN MULTIPLE CONFIGURATIONS.



## RACK TABLE WORKSTATION



## RACK TABLE WITH CORNER & WORKSTATION

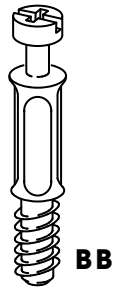


# HARDWARE

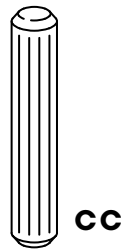
VERIFY YOU HAVE ALL NECESSARY HARDWARE. WE EVEN SENT YOU EXTRA.



**27x**



**27x**



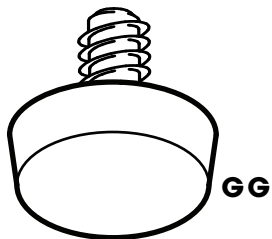
**16x**



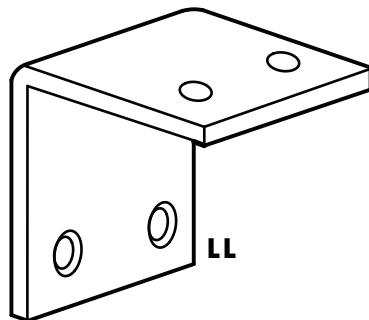
**16x**



**40x**

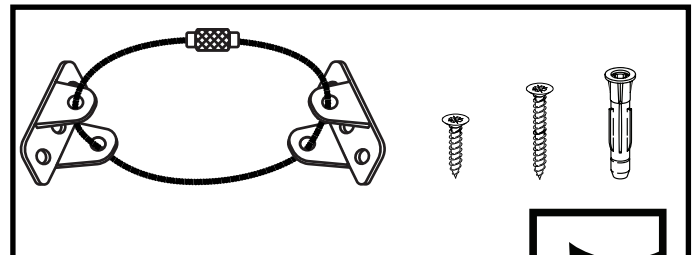


**4x**



**2x**

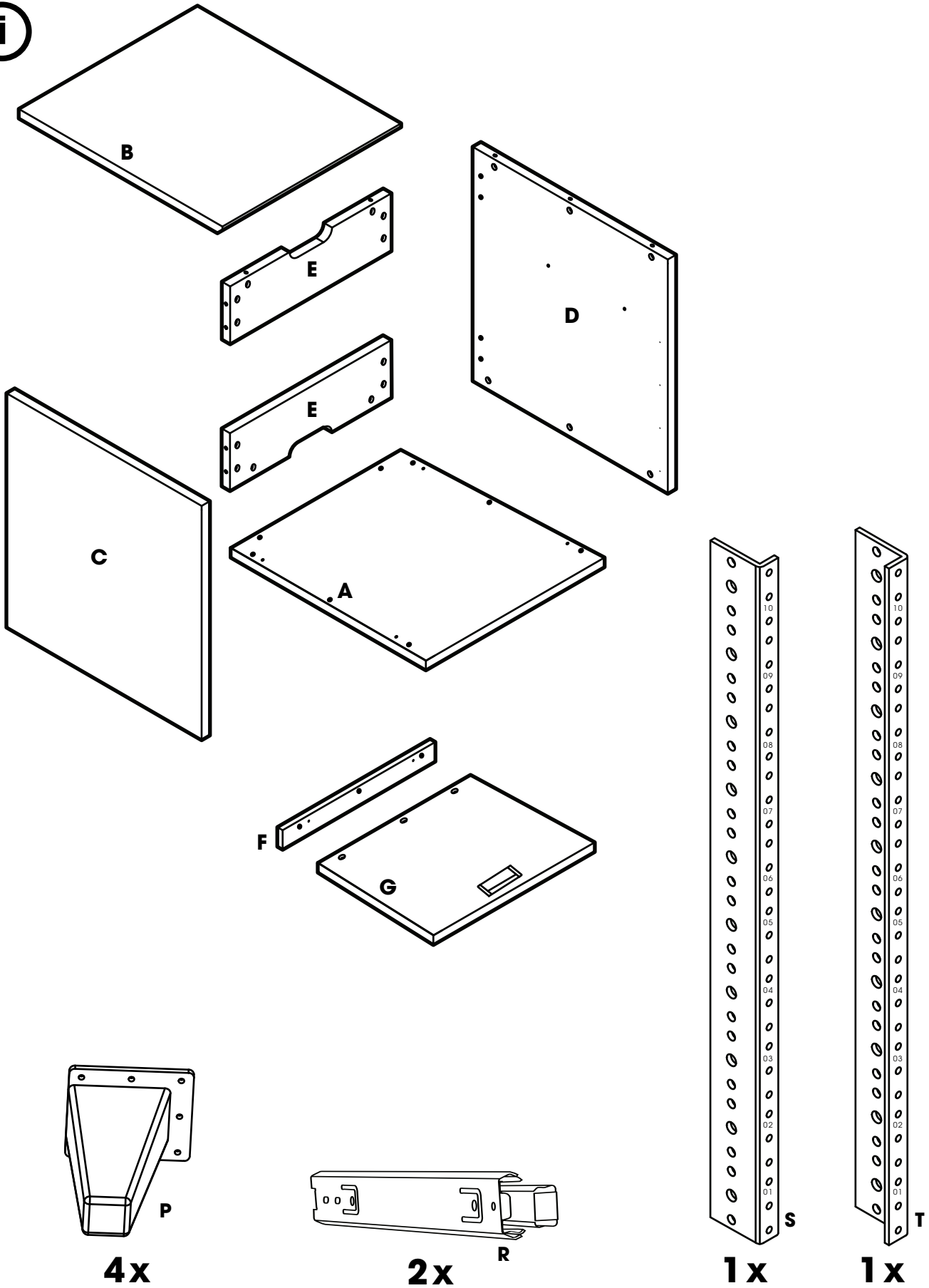
### Wall Mount Kit



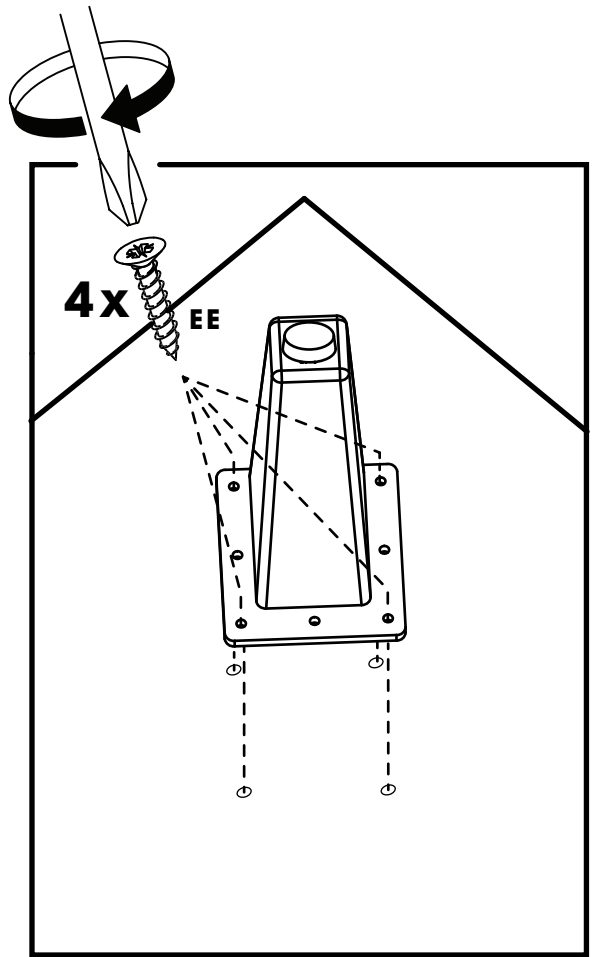
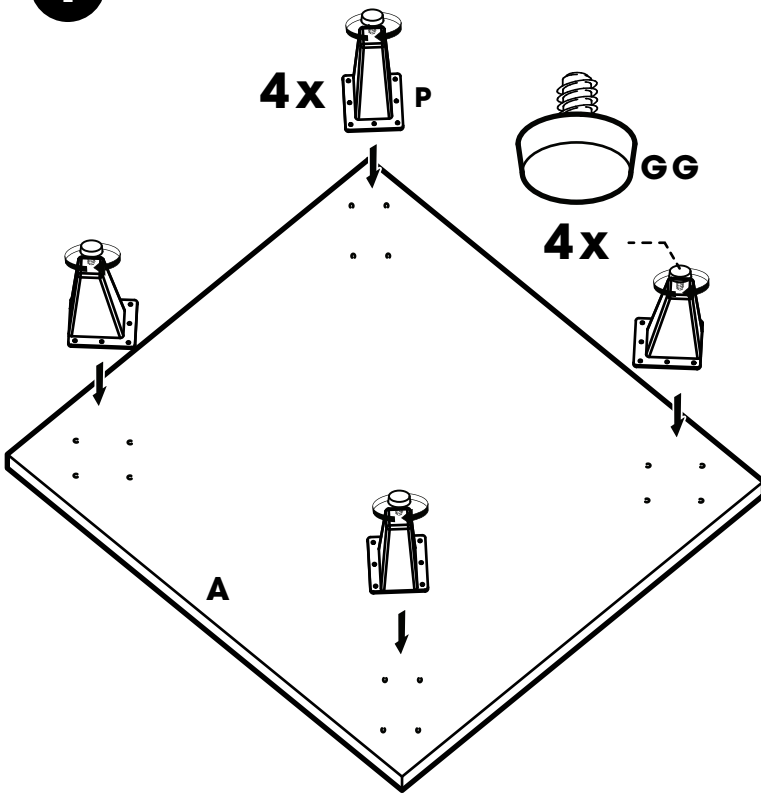
# PARTS

PARTS COME IN MULTIPLE BOXES. MAKE SURE YOU HAVE EVERYTHING BEFORE ASSEMBLY.

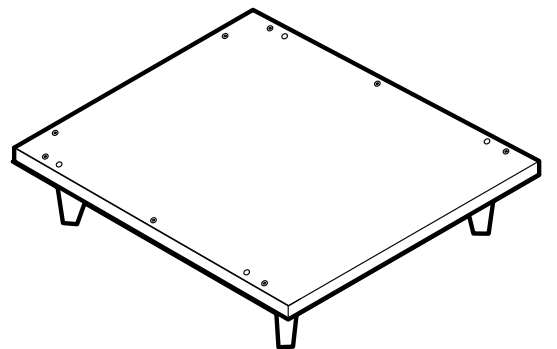
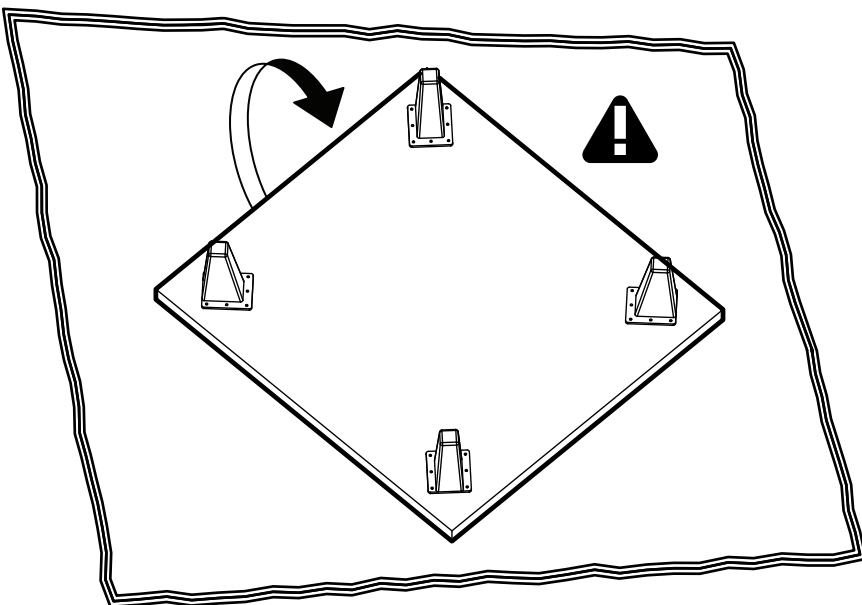
**i**



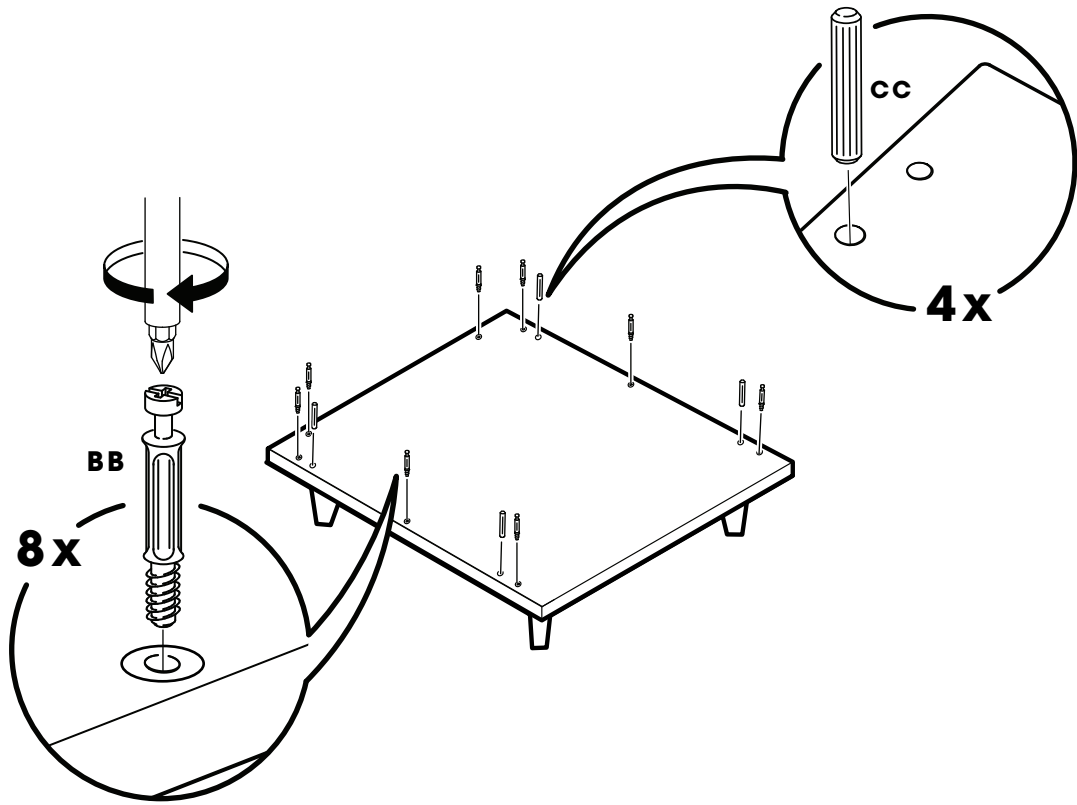
**1**



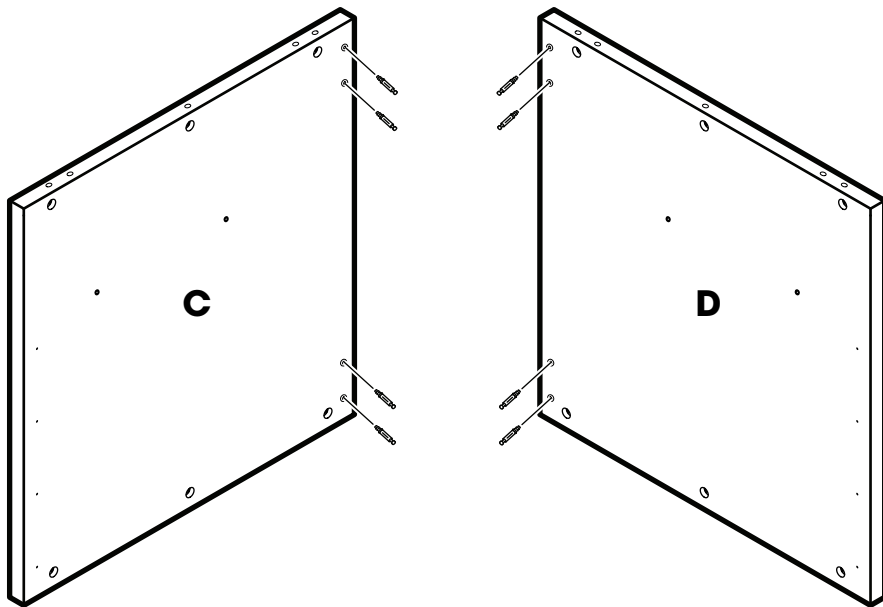
**2**



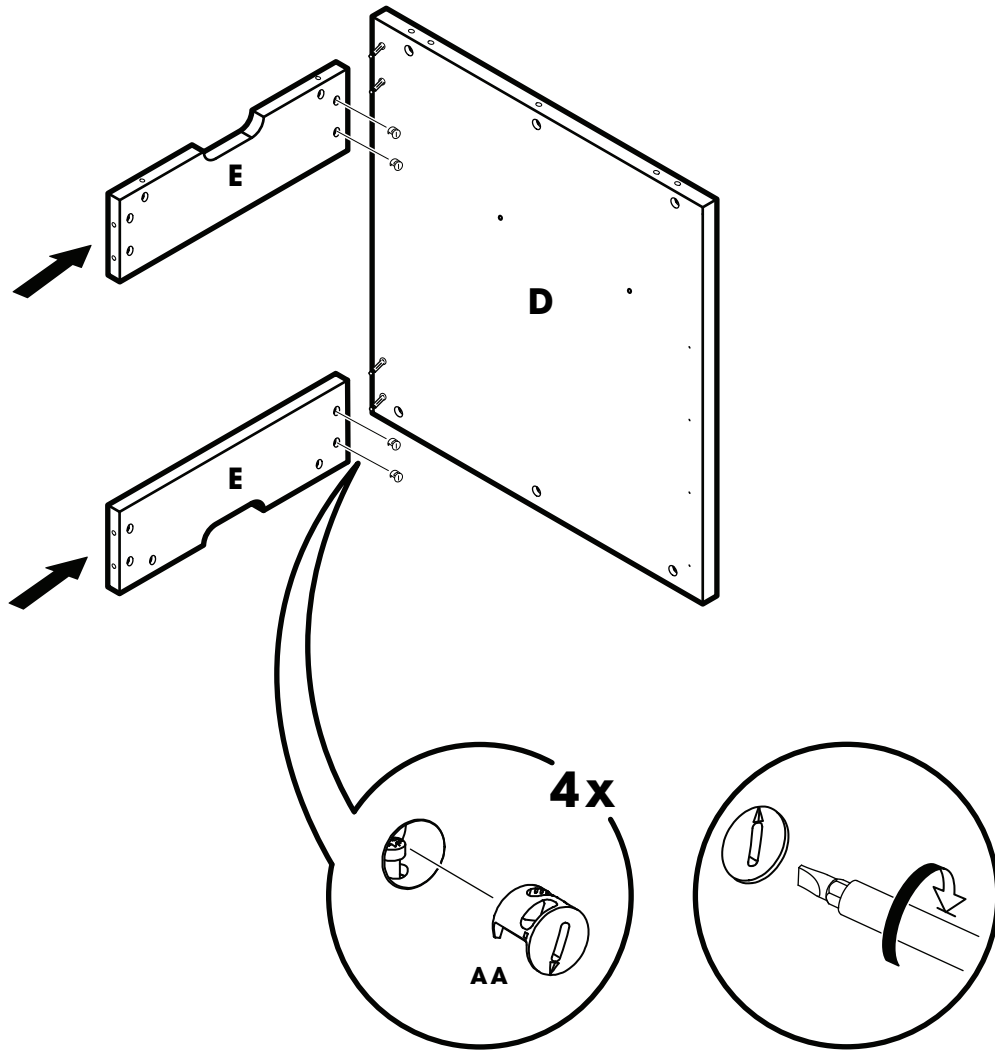
**3**



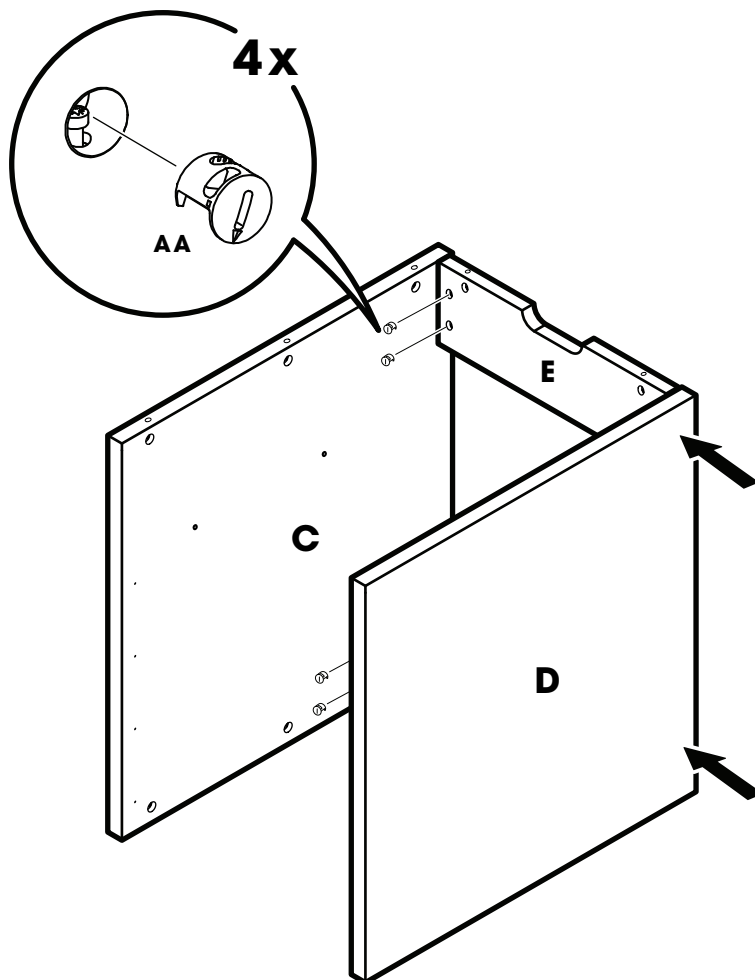
**4**



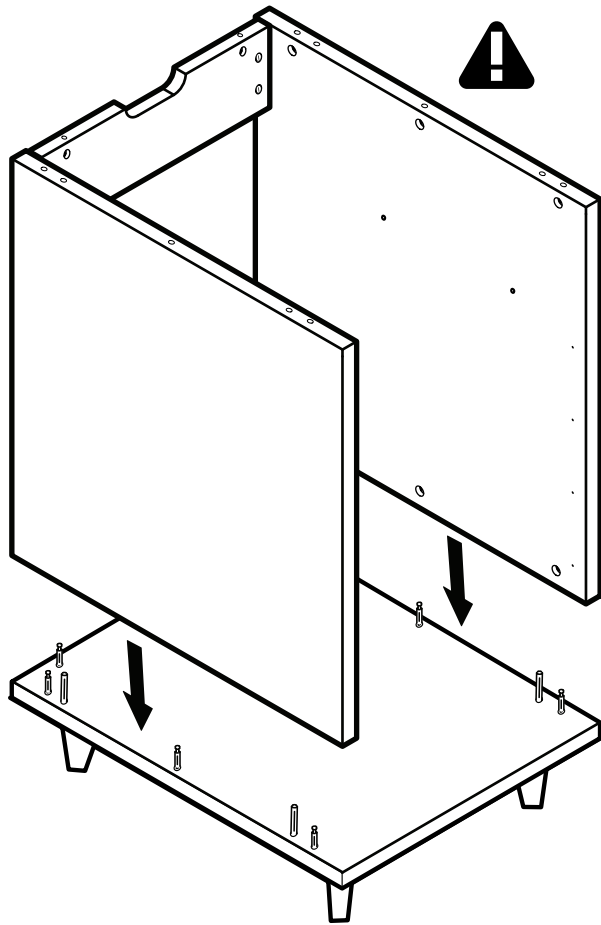
5



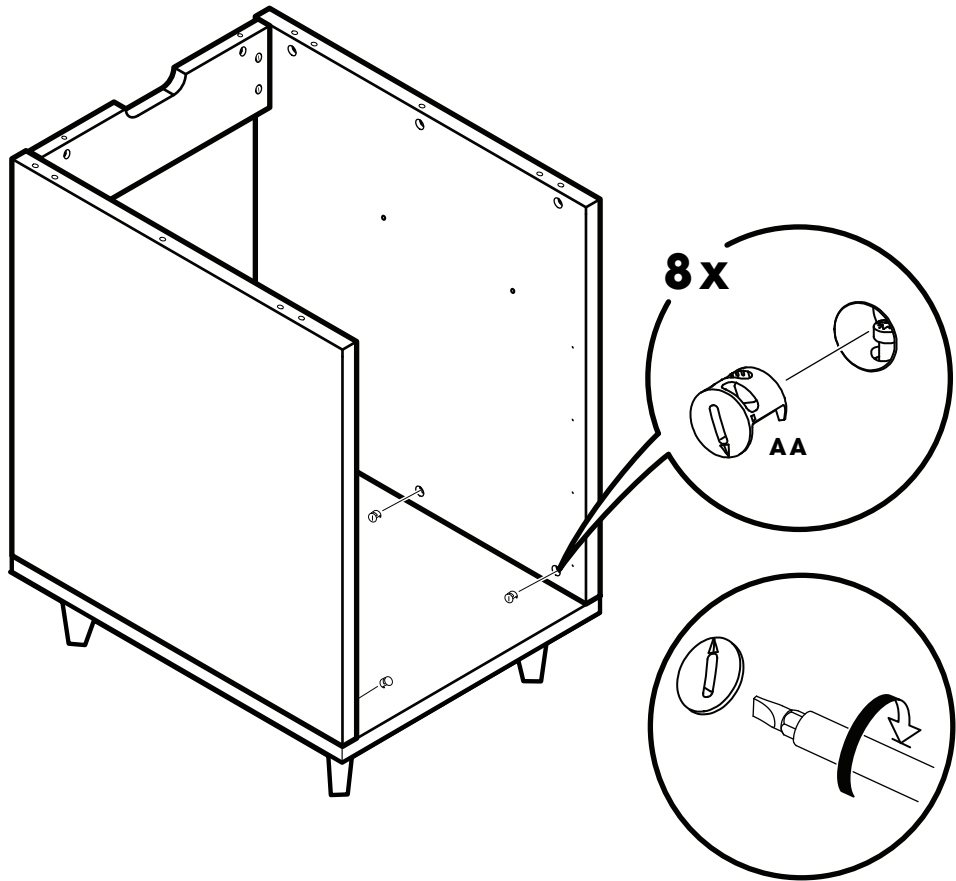
6



7

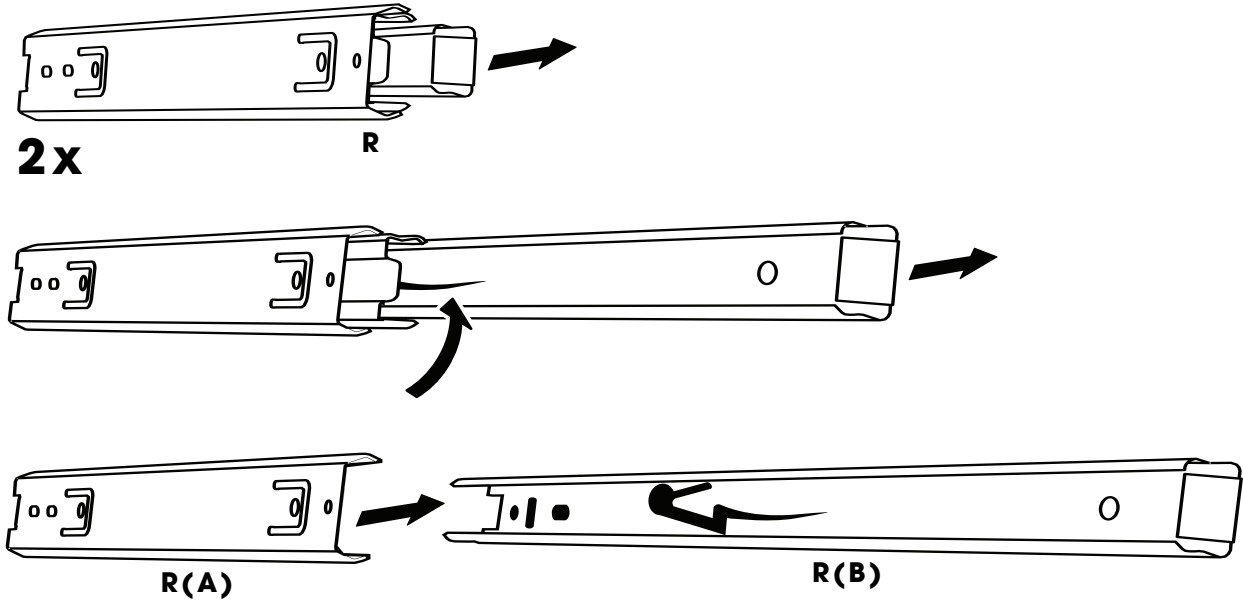


8

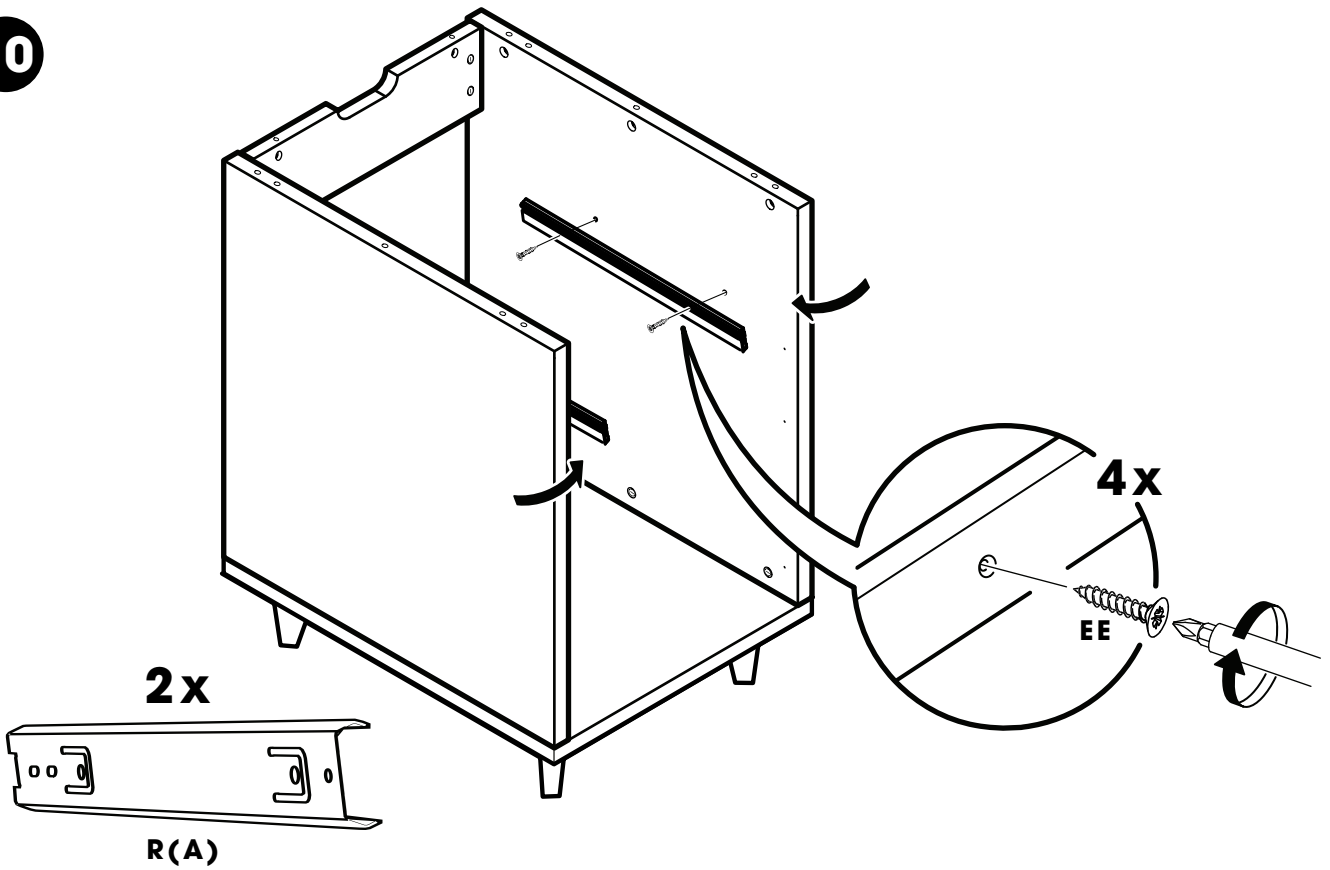




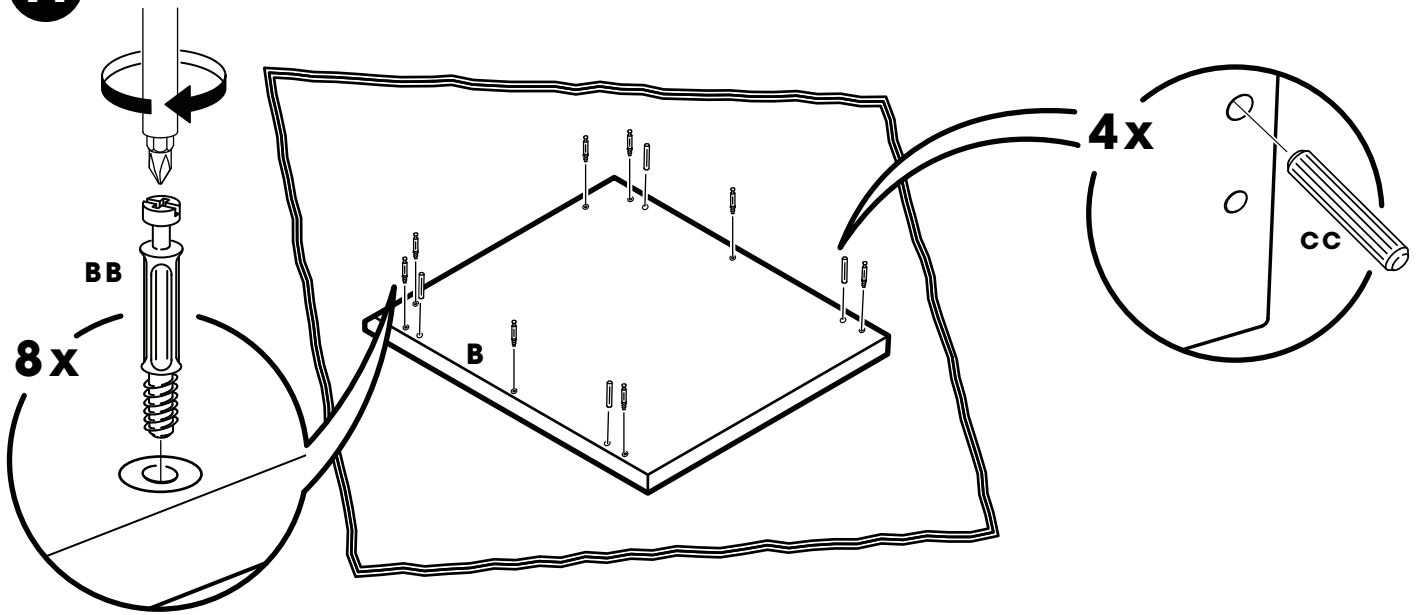
9



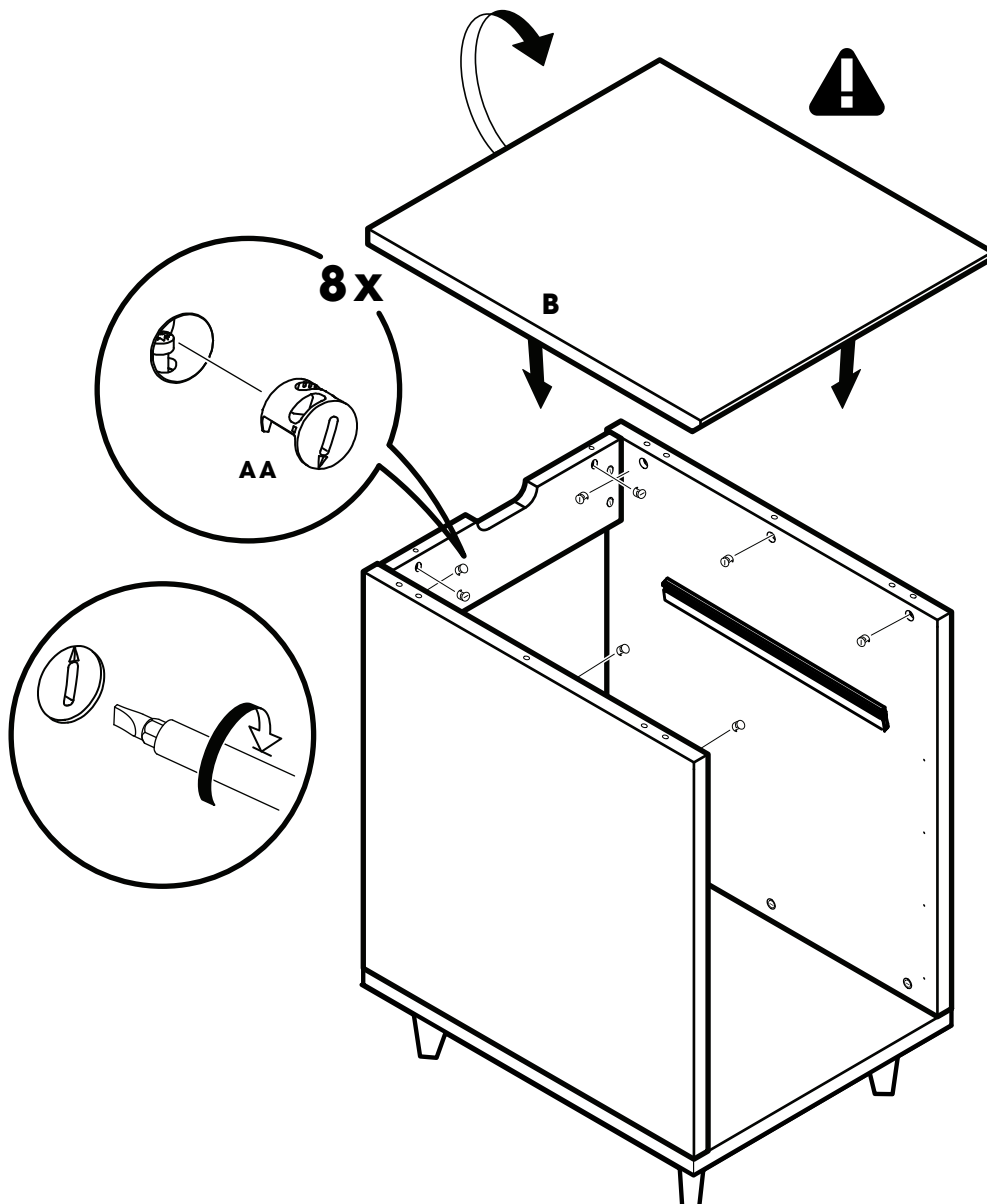
10



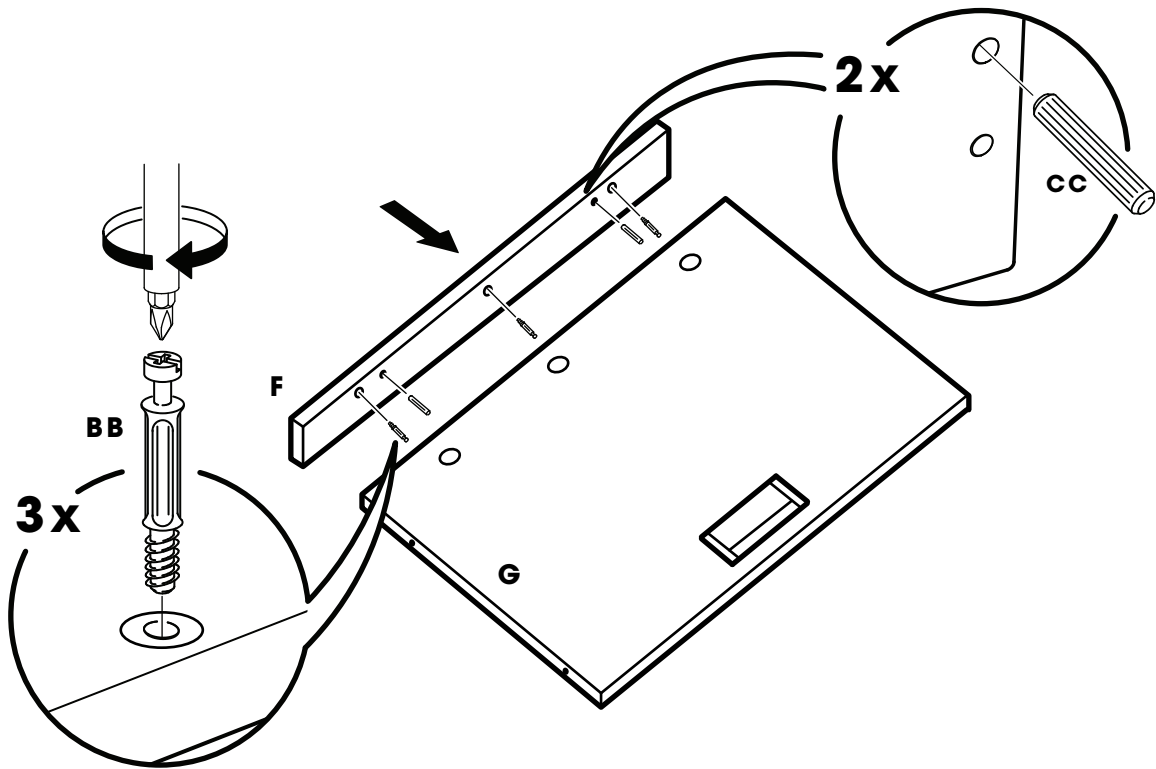
**11**



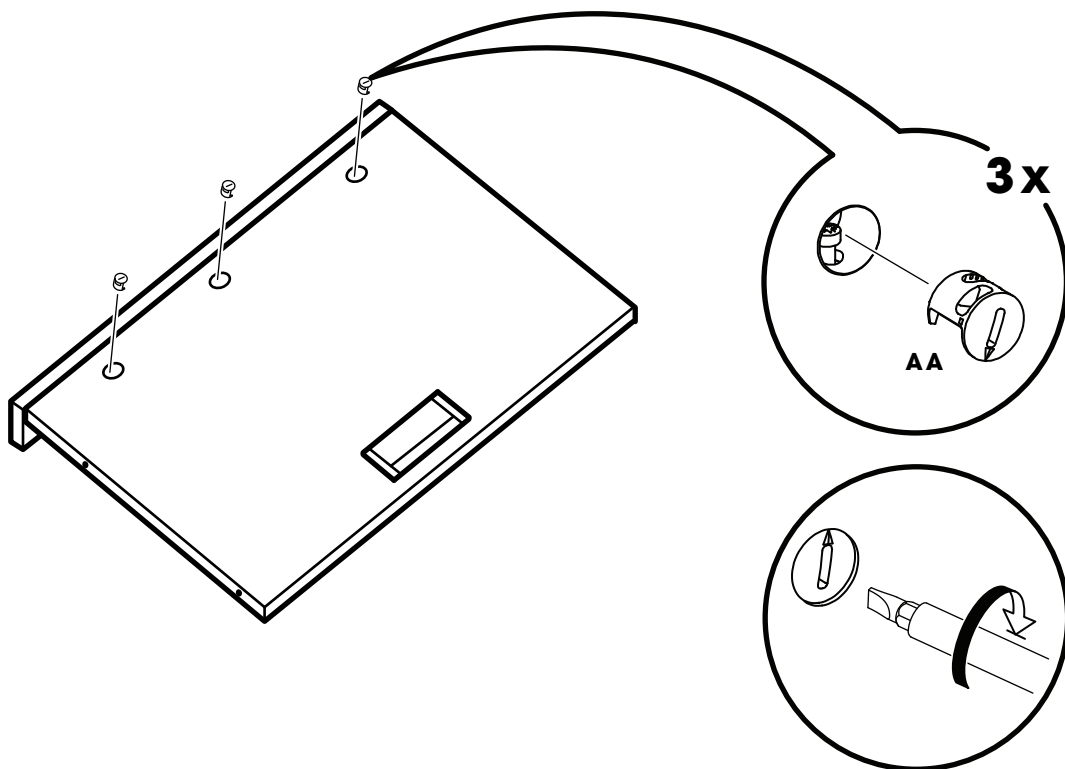
**12**



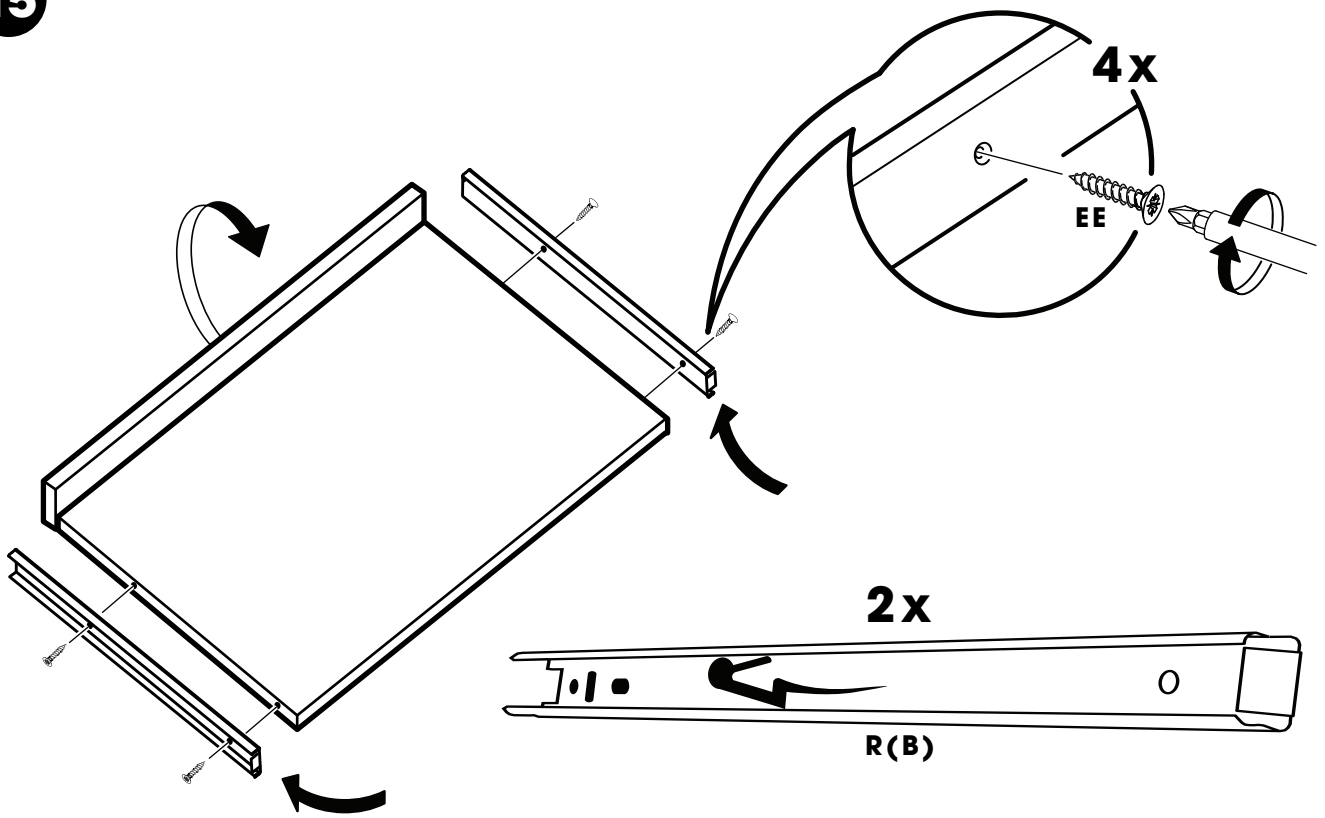
**13**



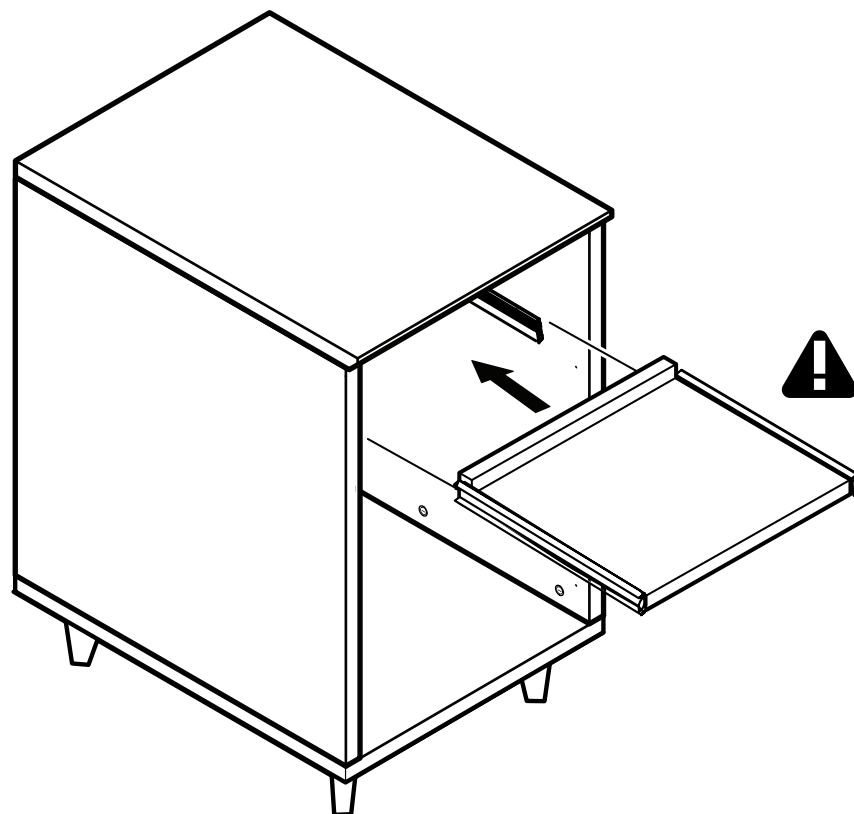
**14**



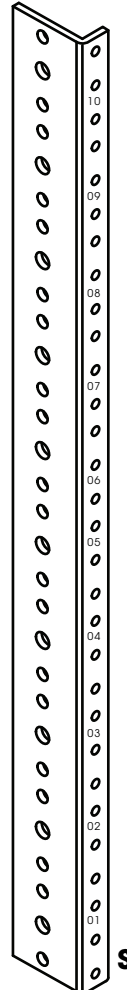
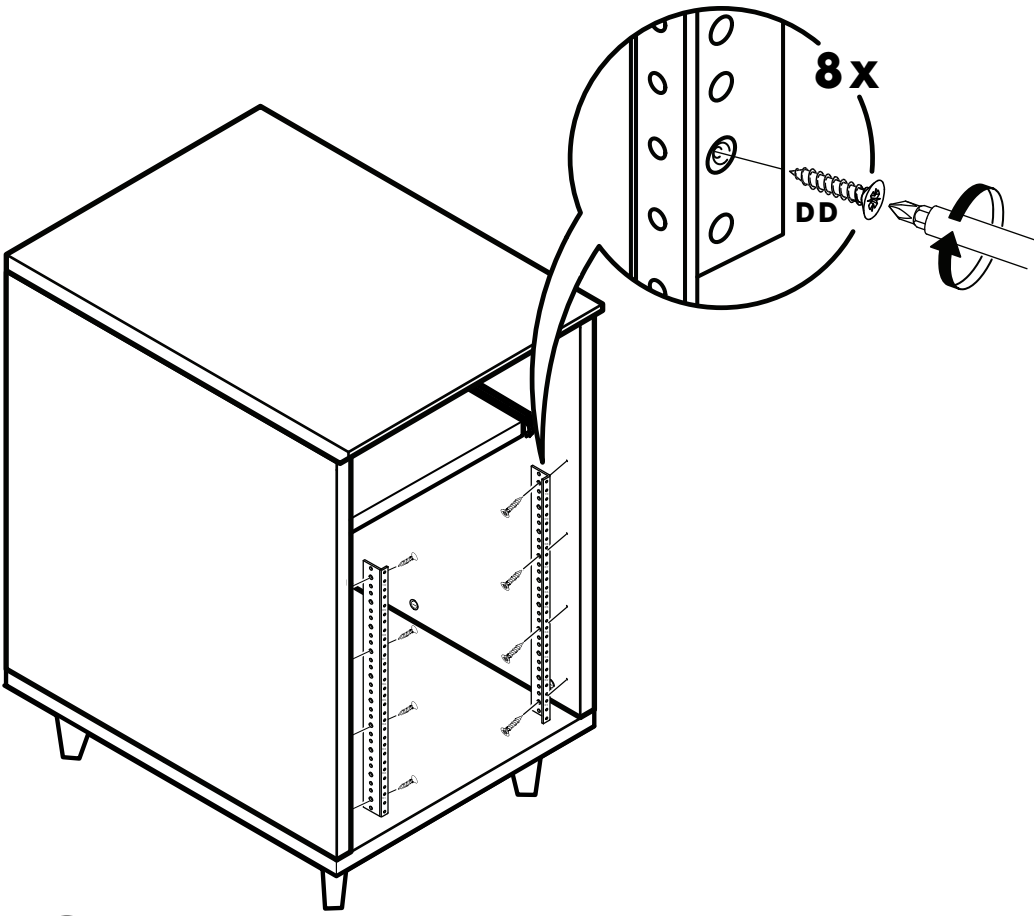
15



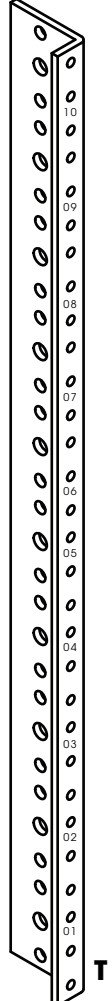
16



17

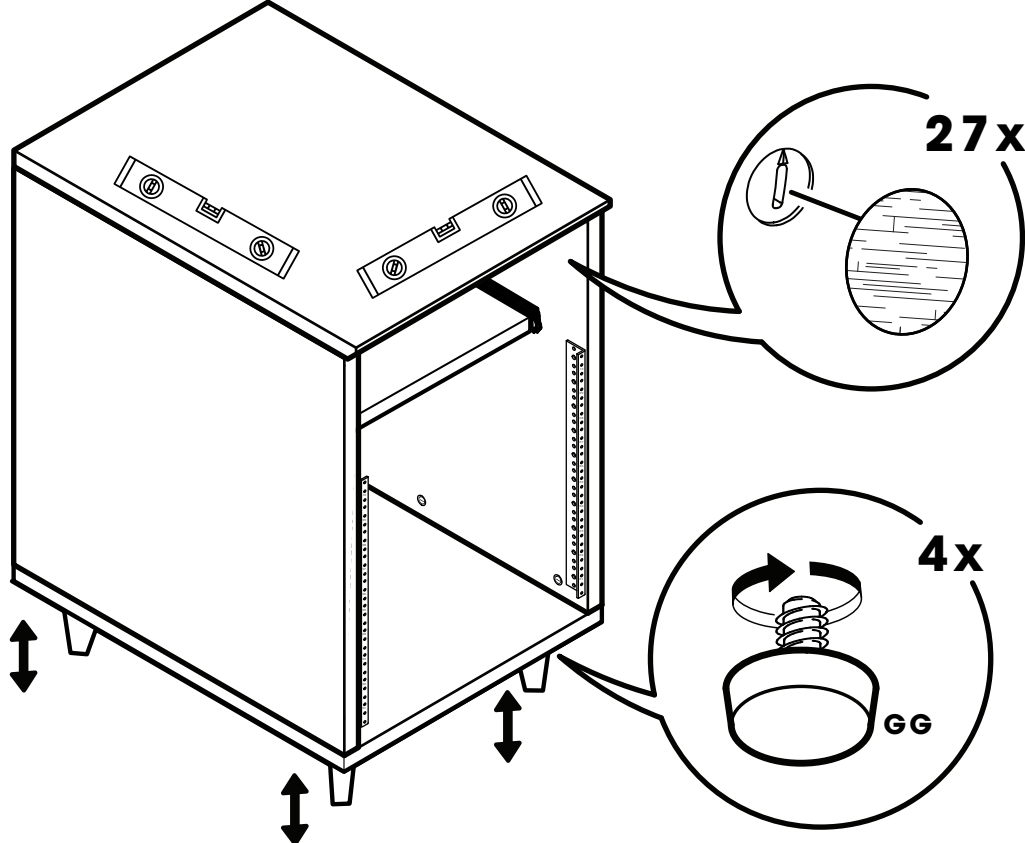


1x

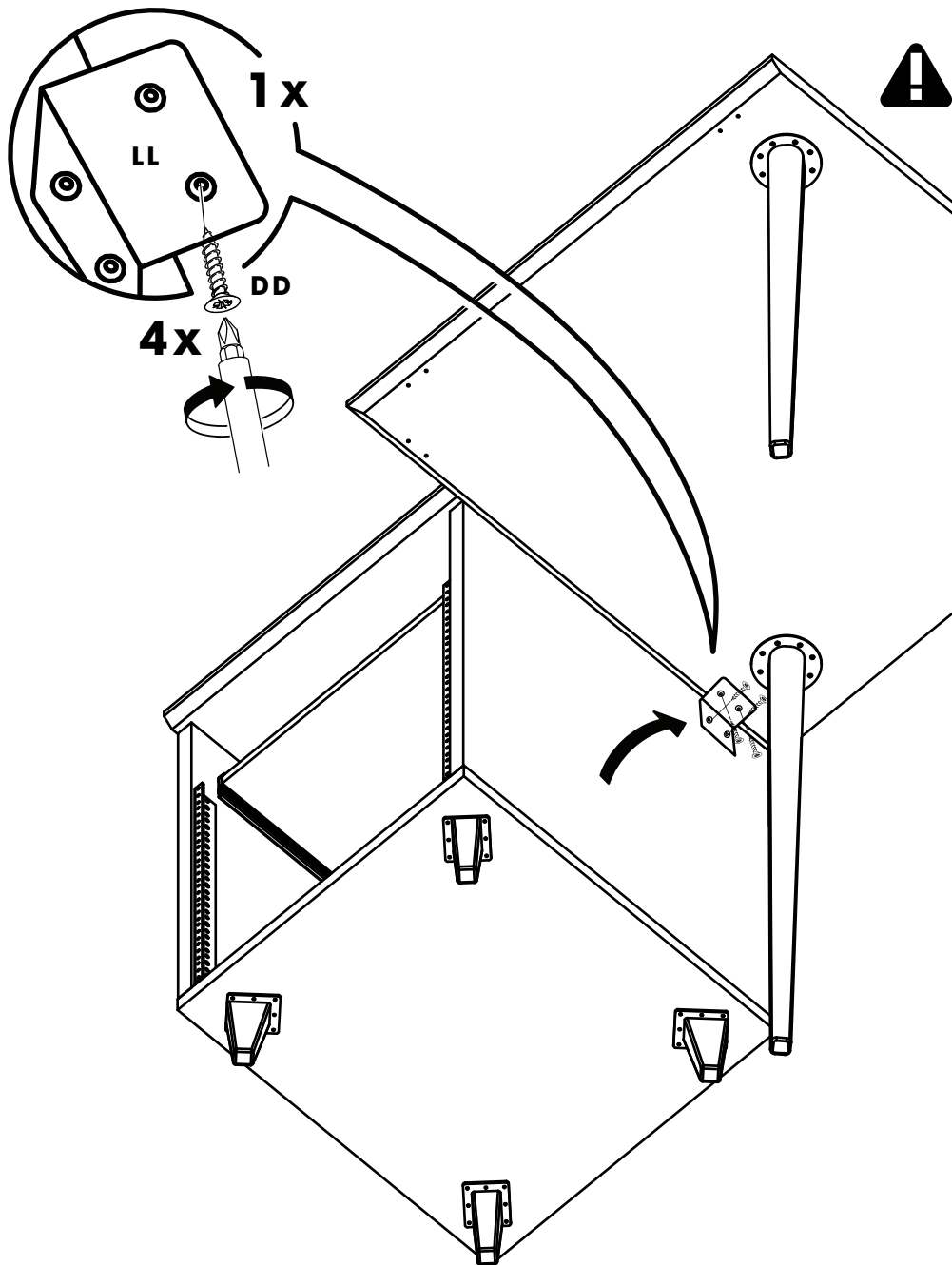


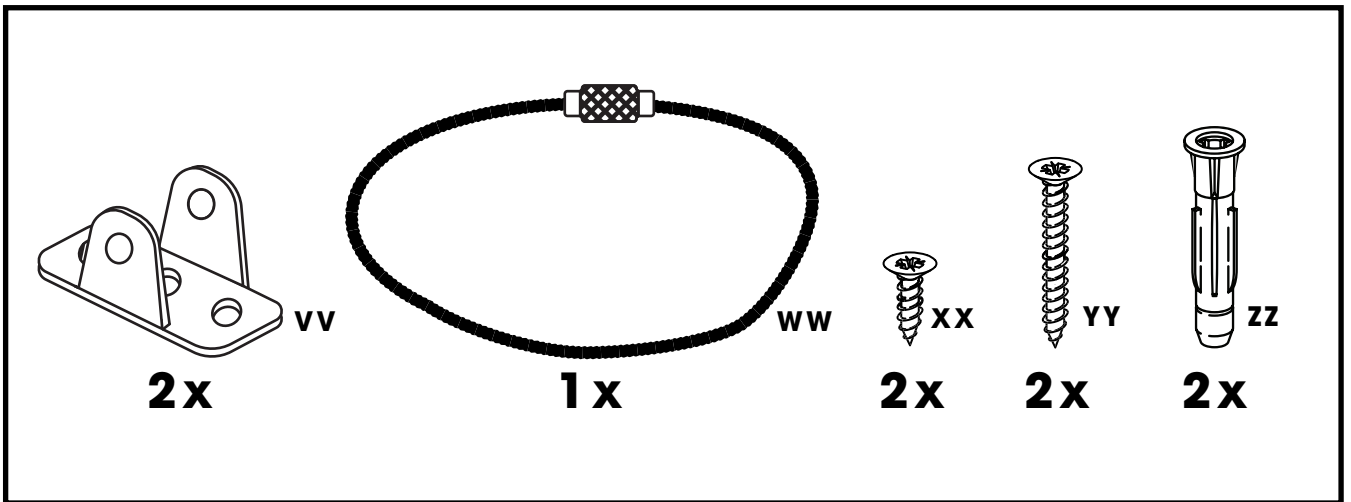
1x

18



19





## WARNING

Please consult your local hardware store with installation questions for your wall type. The hardware provided may not be suitable for your application.

### Drywall/plaster with wood studs:

- Mark wall stud location
- Mark bracket attachment points with a pencil at the desired height at back of rack table
- Drill 1/8-inch (3mm) pilot holes at the pencil mark
- Follow pictogram instructions

### Drywall without available wood studs:

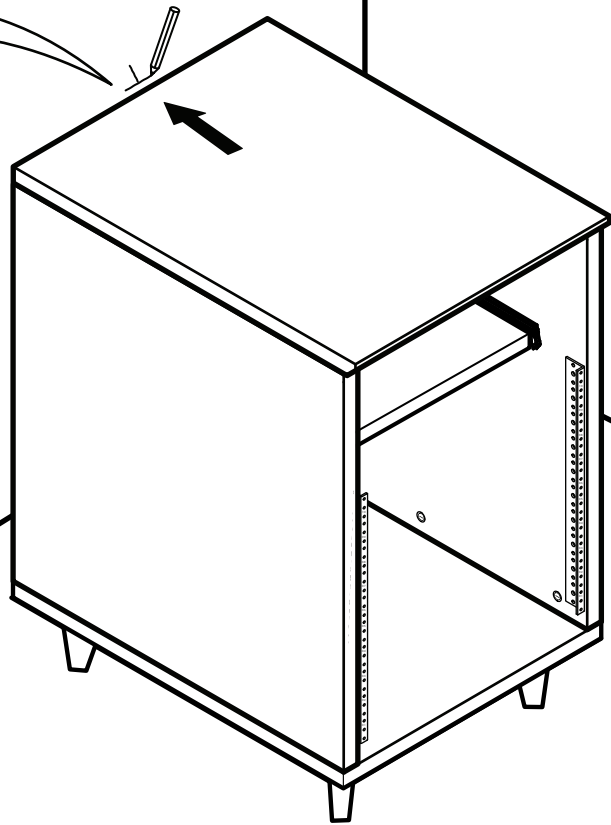
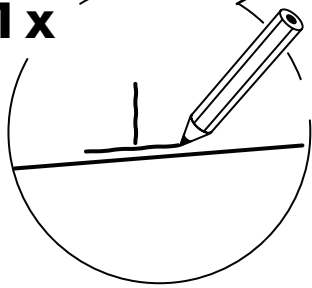
- Mark bracket attachment points with a pencil at the desired height at back of rack table
- Drill 5/16-inch (8mm) holes at the pencil mark
- Drive plastic plugs into holes using hammer
- Follow pictogram instructions
- Do not overtighten screws

### Masonry:

- Mark bracket attachment points with a pencil at the desired height at back of rack table
- Drill 5/16-inch (8mm) holes at the pencil mark
- Drive plastic plugs into holes using hammer
- Follow pictogram instructions
- Do not overtighten screws

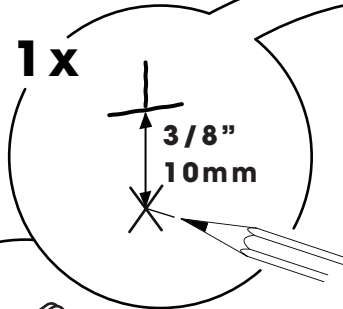
**20**

**1 x**

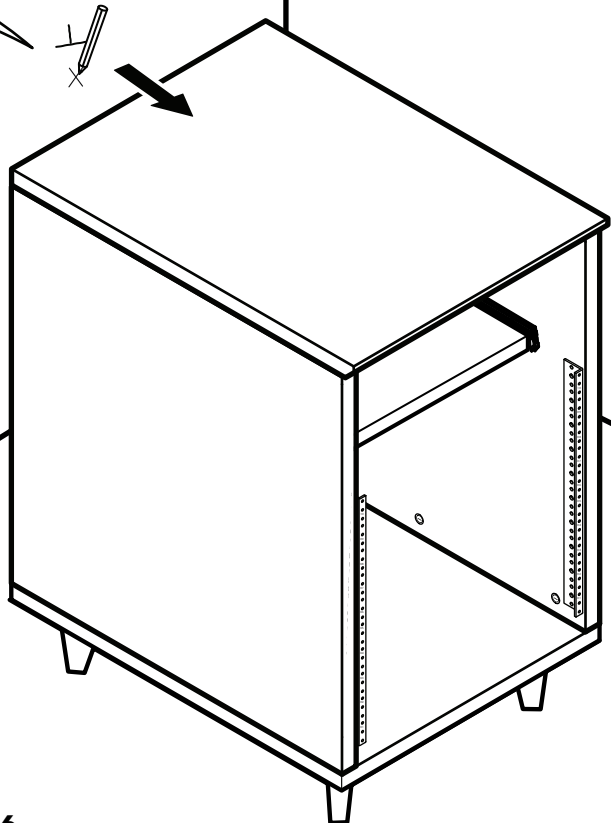
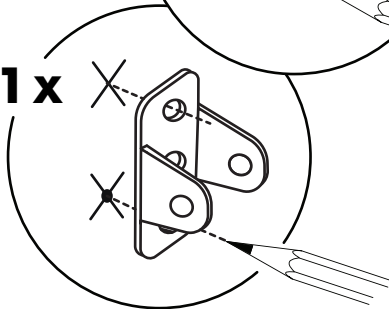


**21**

**1 x**

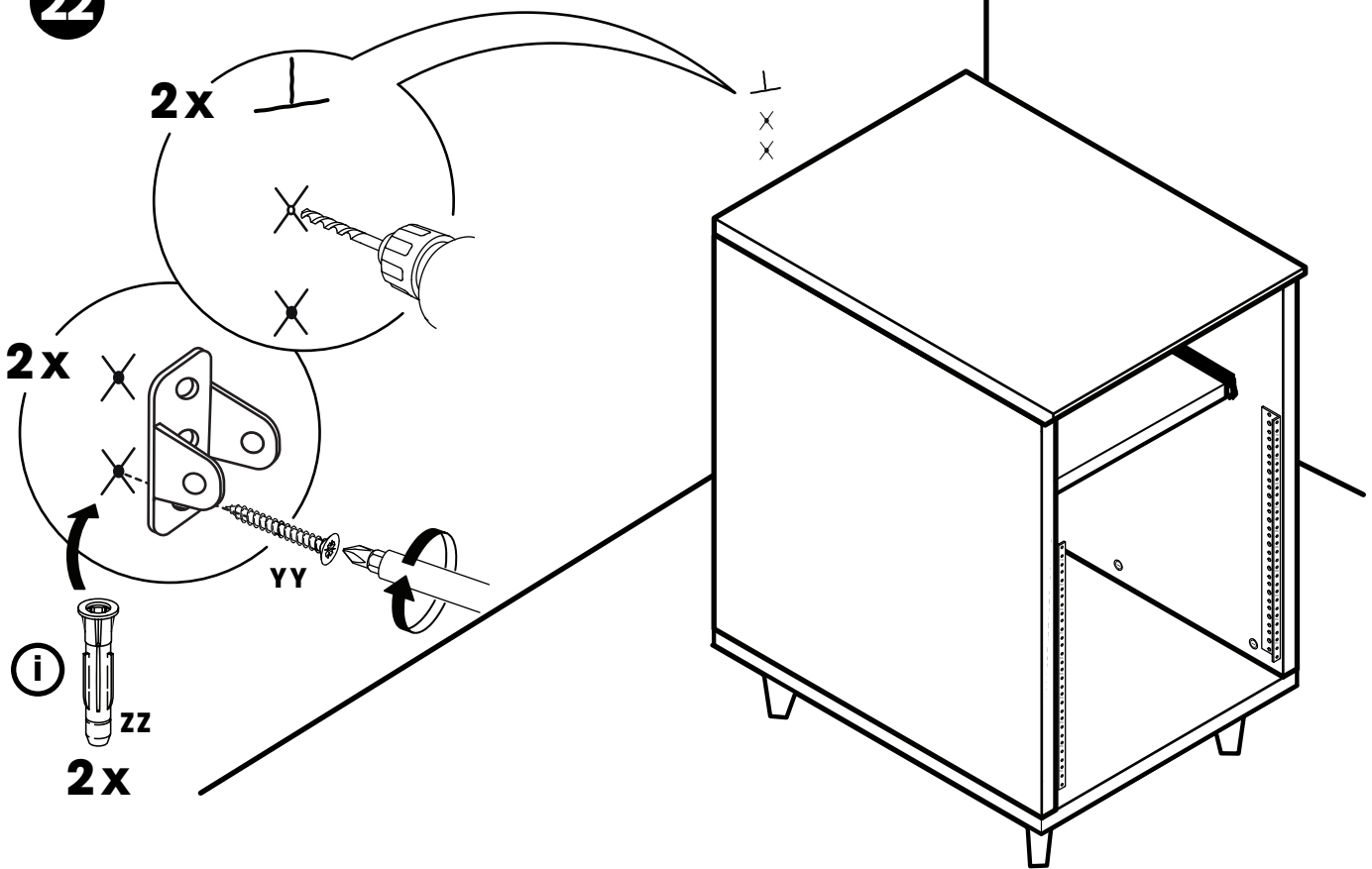


**1 x**

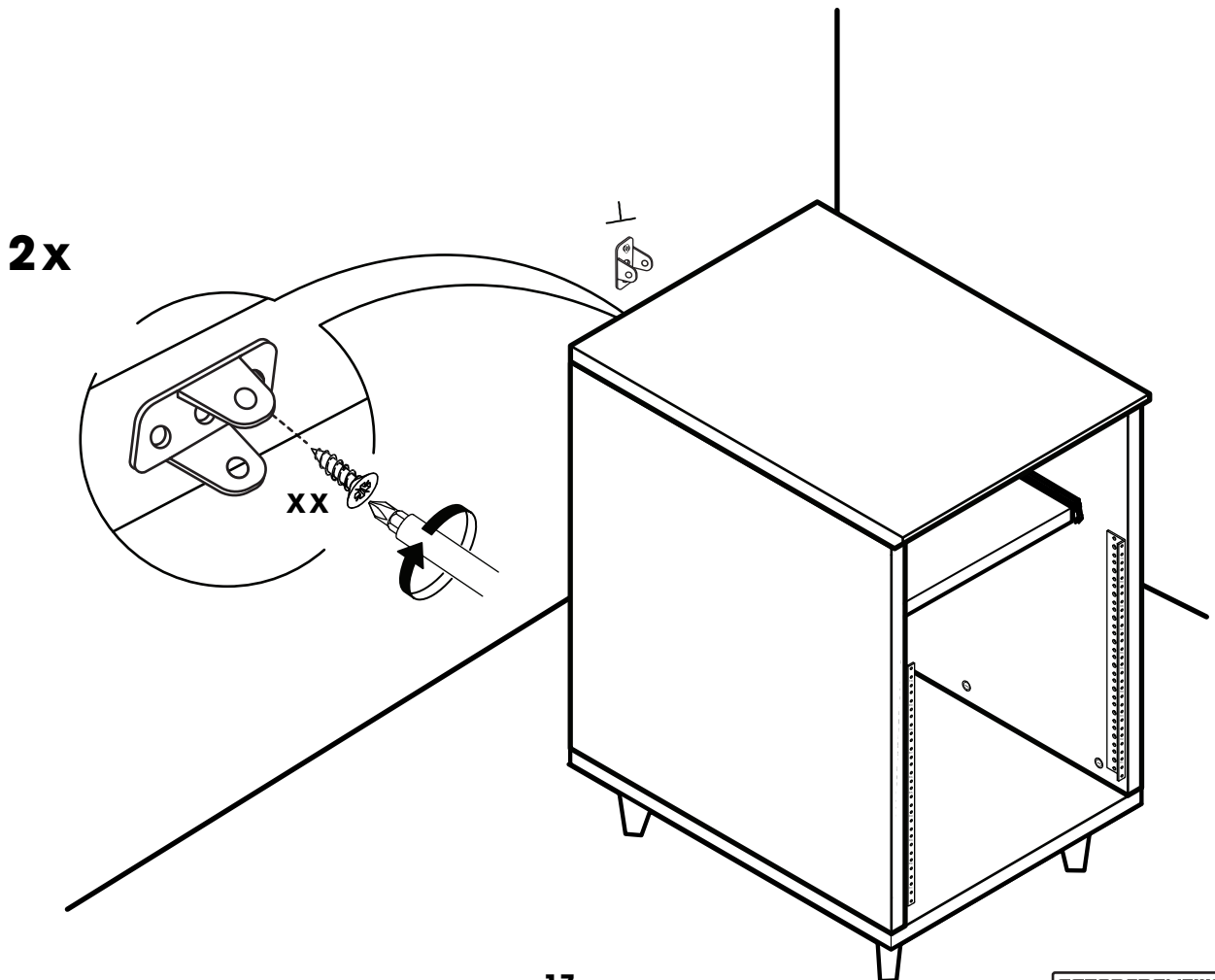




**22**



**23**



24

