

The DMR-19 features multiple access points to accommodate a variety of inputs/outputs from displays or monitors.



DMR-19 mounted to 22 in. flat panel display (rear view)



Four-post rack with DMR-19 and 22 in. display.



Small monitors can be recessed along the mounting ears.

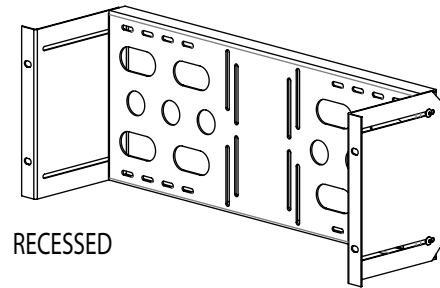
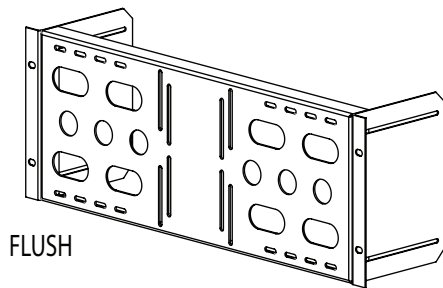
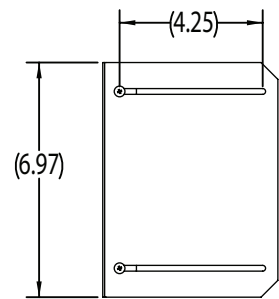
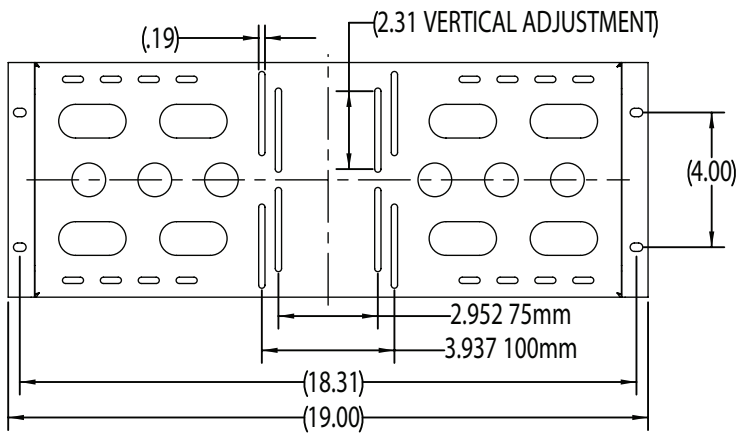
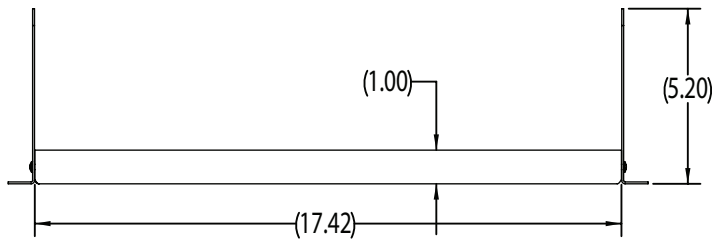
The adjustable-depth display mount for 19 inch E.I.A. two-post and four-post racks, is made to hold a flat panel display or LCD monitor that features a standard VESA 75mm or 100mm hole pattern. The mount is ideal for AV or security installations, control rooms, and similar applications.

- **Unit Height:** 6.97 in. (4U)
- **Unit Depth:** 5.20 in.
- **Unit Width:** 19.00 in.
- **Unit Weight:** 4.2 lbs. (shipping wt. 4.5 lbs.)
- **Load Capacity:** 40 lbs.
- **Materials & Construction:**
  - 14-gauge U.S. steel center plate with multiple access points
  - 16-gauge U.S. steel mounting ears
  - Smooth black powder epoxy finish
  - Ships unassembled (includes assembly hardware)
- **Installation:**
  - Flush-mount the center plate with the mounting ears, or recess the center plate along the ears up to approx. 4 in.
  - Slots on the center plate allow the monitor to be adjusted vertically (2.31 in.) to accommodate a VESA 75mm or 100mm hole pattern (typically a 12 in. to 23.9 in. screen)
  - Multiple access points allow for a variety of input/output locations on the mounted display
- **Origin:** Made in the U.S.A.
- **Compliance:** E.I.A. compliant
- **A&E Specifications:** The rack shall include a display-mounting panel, Lowell model DMR-19, to accommodate a flat panel display or monitor that has a standard VESA 75mm or 100mm hole pattern (display/monitor not included). The E.I.A. compliant unit shall feature a center plate with multiple access points and rack-mounting ears. It shall be made in the U.S.A. with certified U.S. steel and have a smooth black powder epoxy finish. Overall measurements shall be 6.97 in. high (4U) x 5.20 in. deep x 19 in. wide. Load capacity shall be 40 lbs.

### Summary

Model No.	Rack Units	Overall Height	Overall Width	Overall Depth	Load Capacity	Unit Weight
DMR-19	4	6.97"	19.00"	5.20"	40 lbs.	4.2 lbs.





Dimensions are inches unless stated otherwise.

