



DATASHEET

DMI-DANTE

KEY FEATURES

The DiGiCo DMI-DANTE is an option card to expand the I/O of selected DiGiCo products. The DMI-DANTE provides 64 inputs and 64 outputs at 48kHz or 32 inputs and 32 outputs at 96kHz.

- 64 inputs and 64 outputs at 48kHz
- 32 inputs and 32 outputs at 96kHz
- 2 Ethercon ports
- Two port modes - switched and redundant



CONNECTIONS

2 x Ethercon ports

SIGNAL PROCESSING

64 Inputs and 64 Outputs at 48kHz
32 Inputs and 32 Outputs at 96kHz

OPTIONS

Compatible With: S-Series / SD12 / Quantum Range / Orange Box / 4REA4

DiGiCo Multichannel Interface

DiGiCo DMI cards are perfect for expanding your console I/O, providing interfaces with industry formats be it Analogue expansion, MADI, Dante, Waves Soundgrid or Calrec's Hydra 2 Network.

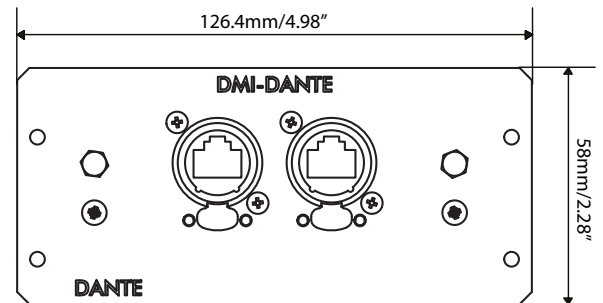
All bases are covered

A&E SPECIFICATION

The DiGiCo DMI-DANTE shall allow 64 inputs and 64 outputs at 48kHz or 32 inputs and 32 outputs at 96kHz.

The front plate of the DMI-DANTE shall have two Ethercon ports. There shall be two modes that the ports can use. In Switched mode, the two ports shall be switched together. In Redundant mode, the ports shall work as a redundant pair with separate IP addresses so that if the primary connection fails, the secondary connection shall take over. The user shall be able to change the mode in Dante Controller.

The dimensions of the DMI-DANTE shall be: 126.4 (w) x 176.3 (d) x 58 (h) mm
The weight of the DMI-DANTE shall be: 210g



PHYSICAL

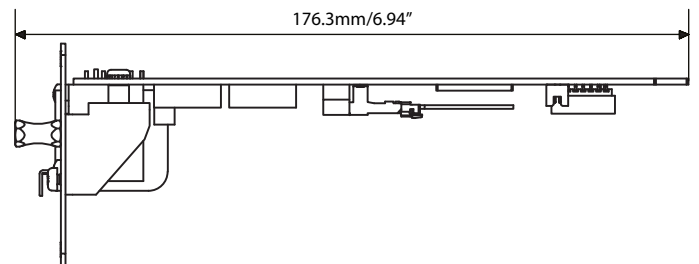
Dimensions: 126.4mm (w) x 176.3mm (d) x 58mm (h)

Weight: 210g

Product Code: MOD-DMI-DANTE

AUDIO SPECIFICATIONS

Sample Rate: 48kHz or 96kHz



DiGiCo HQ

Unit 10 Silverglade Business Park Leatherhead Road, Chessington,
Surrey, KT9 2QL, United Kingdom
info@digiconsoles.com

©DiGiCo 2019. All brand and product names are copyright to their respective owners
E&OE

www.digico.biz

 **DiGiCo**
www.digico.biz