

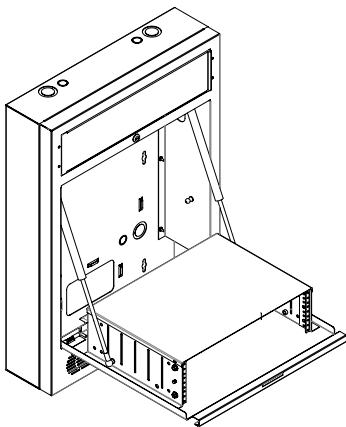


Wall-mount rack with two bays—a hinged pocket door on the upper bay swings open, the lower bay tilts down when opening to the service position (oil-filled dampers control the rate of descent).



features.

- **Panel Space:** Upper Bay: 3U (horizontal-mount)
Lower Bay: 3U (vertical-mount)
- **Overall Height:** 34.06" [865]
- **Overall Width:** 25.00" [635]
- **Overall Depth:** 6.80" [1572]
- **Description:** Wall-mount rack with two bays for 19"W equipment such as amplifiers, small mixers, PA systems or consumer electronics. The upper bay can mount a control panel horizontally, while the lower bay is designed to hold equipment vertically.
- **Construction:**
 - 16-gauge certified U.S. steel frame with 18-gauge backbox and door. Neutral Network Grey powder epoxy finish.
 - Two bays secure with a single key lock
 - Includes E.O. box in base for convenient connection to AC power.
- **Upper Bay:**
 - Mounts panel or shallow equipment horizontally (up to 3U x 19"W x 4.3"D)
 - Pivoting Rails: 1 pair of 11-gauge steel 10-32 threaded rails on E.I.A. spacing. Rails pivot down for easier access to mounted devices.
 - Pocket door swings open on right hinge.
- **Lower Bay:**
 - Mounts equipment vertically (up to 3U x 19"W x 15.3"D).
 - Adjustable Rails: 1 pair of 11-gauge steel 10-32 threaded rails on E.I.A. spacing.
 - Front door opens from top; oil-filled dampers control rate of descent. *Note: Some electronics require being in a horizontal position to operate correctly.*
- Removable shelf
- Integral formed handle
- Front vents
- **Cable Management:**
 - Cable raceway (1") on each side
 - Combination EKO's for conduit in top, bottom, rear (1/2"–3/4", 1"–1-1/2")
 - Multiple bridge lances
 - Rear openings accommodate cables or wall obstructions
- **Hardware:** Pilot point screws with captive washers for quick installation.
- **Installation:**
 - Surface-mount
 - Rear keyholes on 16" centers
- **Compliance:** EIA/TIA compliant. RoHS compliant.
- **Load Capacity:** 50 lbs.
- **Optional:**
 - **Panel #D8P-ID-3:** 3U panel with rear lacing flange and Pocket-ID window will accept up to eight 1-gang devices.



a&e specifications.

The surface-mount wall rack with tilt-out operation shall be Lowell #LTCR-3320S which shall measure 34.06"H x 6.8"D x 25.00"W. Construction shall be steel with neutral Network Grey powder epoxy finish. The rack shall feature two bays, top/bottom vents, and combination knockouts in top, bottom, and rear. The upper bay with hinged pocket door shall mount 19"W x 5.25"H (3U) x 4.3"D equipment horizontally and include 10-32 threaded rails that pivot down for access. The lower bay shall tilt down to open (dampers shall control the rate of descent). It shall mount 19"W x 5.25"H (3U) x 15.3"D equipment vertically and feature 10-32 threaded rack rails plus a removable shelf. The assembly shall have a load capacity of 50 lbs. and include a single gang E.O. box in the base.

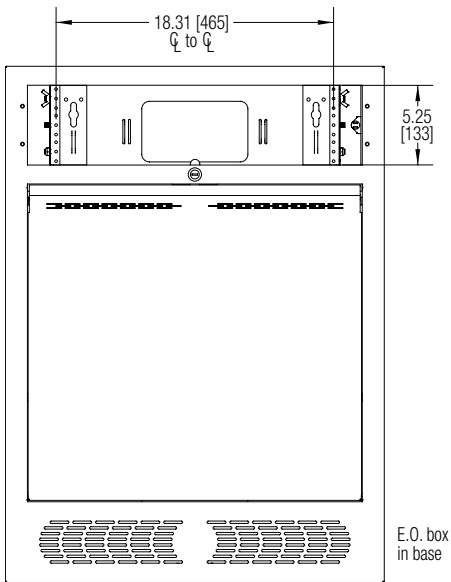
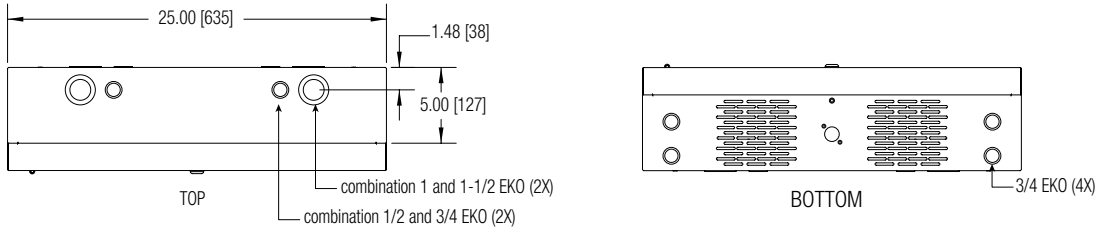
- **Options:**
 - The rack shall include a 3U x 19"W punched panel to mount one-gang devices, #D8P-ID-3.

LTCR series summary

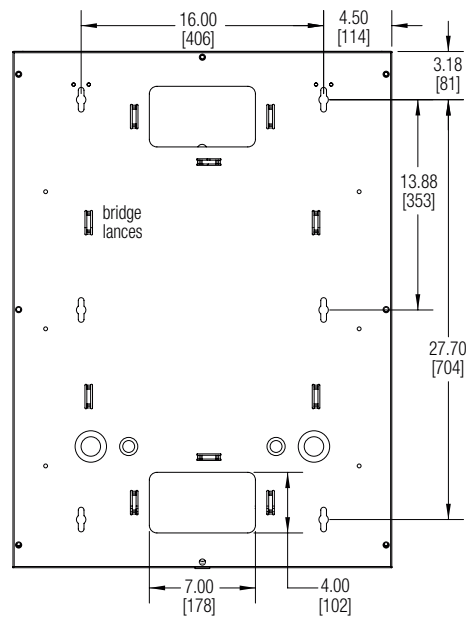
Model No.	Rack Units	Mounting Type	Rack Height	Rack Depth	Projection from Wall	Rack Width	Trim Plate* Height	Trim Plate* Width
▶ LTCR-3320S	3U(top)+3U(main)	surface	34.06 [865]	6.80 [172]	6.80 [172]	25.00 [635]	---	---
LTCR-3320R	3U(top)+3U(main)	recessed	34.06 [865]	6.09 [155]	1.97 [50]	25.00 [635]	36.00 [914]	26.50 [673]

* Recessed model only
Dimensions shown in inches and [mm]; 1U = 1.75"





FRONT
(top door removed, main compartment door closed)



REAR

