



XSW-D Portable Lav Mobile Kit

XSW-D Portable Lavalier Set with Smartphone Clamp & Manfrotto PIXI Mini Tripod



XSW-D PORTABLE LAV MOBILE KIT

XSW-D Portable Lavalier Set

One-touch ease-of-use wireless audio set that utilizes a digital transmission to seamlessly link audio sources. Equipped with an ME 2-II lavalier microphone, this elegant solution makes capturing dialogue on a DSLR easier than ever before while maintaining a reliable connection.

Smartphone Clamp

Made of solid aluminium and provides soft rubber grips for a secure hold for nearly all mobile phones. Includes an adjustable 180-degree locking dial to align a preferred aspect ratio in portrait or landscape.

Manfrotto PIXI Mini Tripod

A durably constructed, lightweight mini tripod with ball head and push-button locking mechanism for flexible positioning and a firm grip. The rubber feet provide a non-slip grip on most surfaces and the extendable legs allow comfortable handheld vlogging with added stability.

FEATURES

- Mobile Kit for vloggers and content creators on the move
- XSW-D Portable Lavalier Set including a complete digital wireless lavalier system
- Smartphone Clamp with cold shoe mount for portrait or landscape orientation
- Manfrotto PIXI Mini Tripod with adjustable locking ball for flexible positioning and control
- Durably constructed components that are built to last

DELIVERY INCLUDES

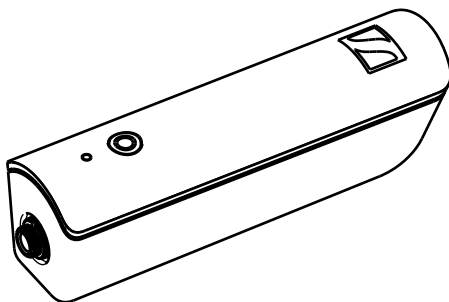
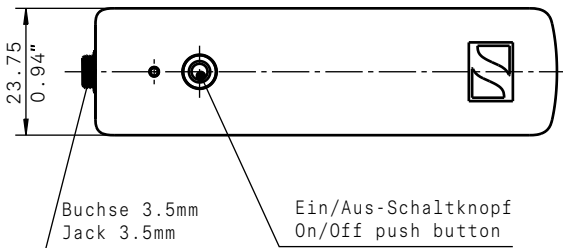
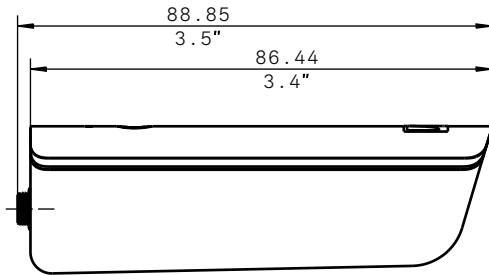
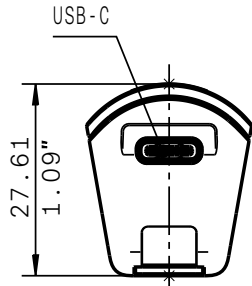
- XSW-D 3.5 mm (1/8") transmitter
- XSW-D 3.5 mm (1/8") receiver
- ME 2-II clip-on lavalier mic
- Cold Shoe mount
- Belt clip
- USB-A to USB-C charging cable
- Manfrotto PIXI Mini Tripod
- Sennheiser Smartphone Clamp
- Locking 3.5 mm TRS to TRS coiled cable
- Locking 3.5 mm TRS to TRRS coiled cable



XSW-D Portable Lav Mobile Kit

XSW-D Portable Lavalier Set with Smartphone Clamp & Manfrotto PIXI Mini Tripod

DIMENSIONS



SPECIFICATIONS

XSW-D MINI JACK TX | XSW-D MINI JACK RX

USB-C Charging Interface:

| | |
|----------------------|-------------------------------|
| Input voltage | typ. 5.0 V |
| Charging temperature | 0 °C - 60 °C (32 °F - 140 °F) |
| Charging time | typ. 3 h |

Battery Pack:

| | |
|-----------------|-----------|
| Cell type | Li-Ion |
| Nominal voltage | 3.7 V |
| Cell capacity | 850 mAh |
| Operating time | up to 5 h |

AF Characteristics:

| | |
|--------------------------|--|
| Codec | aptX® Live |
| Audio frequency response | 3.5 mm Jack/XLR: 80 - 18,000 Hz 6.3 mm Jack: 10 - 18,000 Hz |
| Audio output | max. 12 dBu |
| Signal-to-noise ratio | ≥ 106 dB |
| THD | < 0.1 % |
| Audio latency | < 4 ms |

Product Properties:

| | |
|---------------------------|-------------------------|
| Dimensions | |
| XSW-D MINI JACK TX | approx. 86 x 24 x 28 mm |
| XSW-D MINI JACK RX | approx. 86 x 24 x 28 mm |
| Weight | |
| XSW-D MINI JACK TX | approx. 73 g |
| XSW-D MINI JACK RX | approx. 73 g |
| Frequency range | 2,400 - 2,483.5MHz |
| Transmission power (EIRP) | max. 10 mW |
| Modulation | GFSK with TDMA |

Environmental Conditions:

| | |
|-----------------------|---------------------------------------|
| Operating temperature | -10 °C to +55 °C (14 °F to 131 °F) |
| Relative humidity | 95 % (non-condensing) |

ACCESSORIES

Locking 3.5 mm TRS to USB-C cable Art. no. 509262



XSW-D Portable Lav Mobile Kit

XSW-D Portable Lavalier Set with Smartphone Clamp & Manfrotto PIXI Mini Tripod

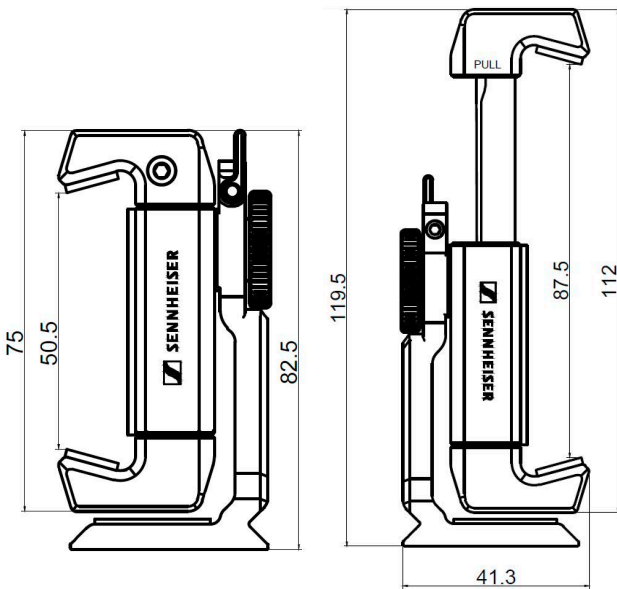
SPECIFICATIONS

ME 2-II



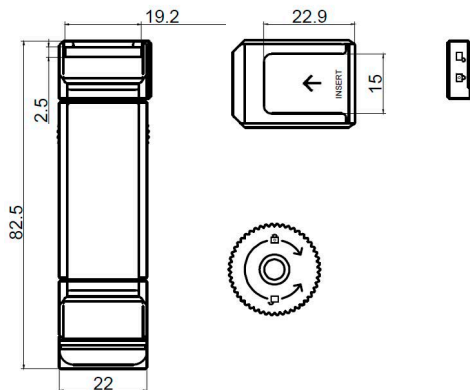
| | |
|---|-------------------------|
| Transducer Principle | Pre-polarized condenser |
| Frequency Response | 50 to 18,000 Hz |
| Pick-up Pattern | Super cardioid |
| Sensitivity at 1 kHz (free field) | 20 mV/Pa |
| Max. SPL at 1 kHz | 130 dB SPL |
| Equivalent Noise Level A-weighted (DIN IEC 651) | 36 dB |
| Connector | 3.5 mm jack |
| Cable Length | approx. 1.60 m |
| Supply Voltage | 7.5 V |

DIMENSIONS



Smartphone Clamp

| | |
|------------------------------|--|
| Weight | 0.24 lbs / 109 g |
| Panoramic Rotation | 360° |
| Min. Clip Size | 2.2 in / 56 mm |
| Max. Clip Size | 3.5 in / 89 mm |
| Mounting Interface (top) | Cold Shoe |
| Mounting Interfaces (back) | 4 x 1/4" |
| Mounting Interfaces (bottom) | 1 x 1/4" 1 x 3/8" Arca Swiss |
| Material | Aluminum, Stainless steel |
| Compatibility (Smartphones) | All smartphones with max width of 3.5 in / 89 mm |
| Compatibility | All products with cold shoe adapter |

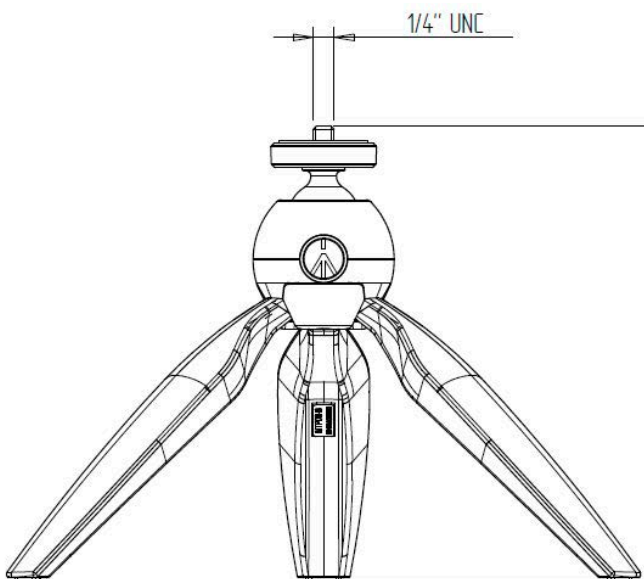
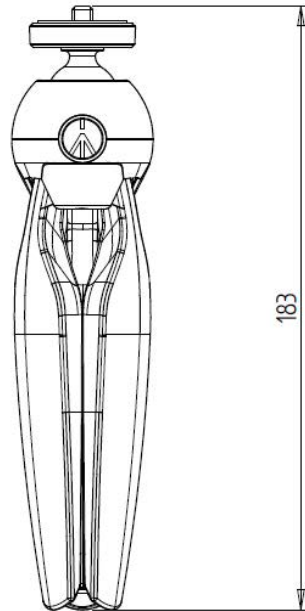




XSW-D Portable Lav Mobile Kit

XSW-D Portable Lavalier Set with Smartphone Clamp & Manfrotto PIXI Mini Tripod

DIMENSIONS



SPECIFICATIONS

Manfrotto PIXI Mini Tripod

Product Properties:

| | |
|----------------|------------------|
| Weight | 0.42 lbs / 190 g |
| Closed Length | 7.20 in / 183 mm |
| Maximum Height | 5.31 in / 135 mm |
| Min Height | 5.31 in / 135 mm |
| Front Tilt | -35° / +35° |
| Lateral Tilt | -35° / +35° |
| Leg Angles | 45° |

Environmental Conditions:

| | |
|--------------------------|-------------------------|
| Material | Aluminum, Technopolymer |
| Max Working Temperature | 140 °F / 60 °C |
| Min. Working Temperature | -22 °F / -30 °C |

Ball Head

| | |
|--------------------------|-------------------|
| Plate Type | fixed - with 1/4" |
| Panoramic Rotation | 360° |
| Safety Payload Weight | 2.2 lbs / 1 kg |
| Ball Locking | Yes |
| Mounting Interface (top) | 1/4" |
| Max. Body Weight | 1.4 lbs / 650 g |
| Max. Focal length | 3.4 in / 85 mm |