



MKE 400 Mobile Kit

MKE 400 compact shotgun microphone with Smartphone Clamp & Manfrotto PIXI Mini Tripod



MKE 400 MOBILE KIT

MKE 400

Compact shotgun microphone with an integrated windscreen and internal shock mount. Includes 3.5 mm TRS and TRRS coiled cables for compatibility with DSLR/M cameras or mobile devices.

Smartphone Clamp

Made of solid aluminium and provides soft rubber grips for a secure hold for nearly all mobile phones. Includes an adjustable 180-degree locking dial to align a preferred aspect ratio in portrait or landscape.

Manfrotto PIXI Mini Tripod

A durably constructed, lightweight mini tripod with ball head and push-button locking mechanism for flexible positioning and a firm grip. The rubber feet provide a non-slip grip on most surfaces and the extendable legs allow comfortable handheld vlogging with added stability.

FEATURES

- Mobile Kit for vloggers and content creators on the move
- Compact by design for easy access and storage
- MKE 400 shotgun microphone with built-in windscreen and shock mount
- Smartphone Clamp with cold shoe mount for portrait or landscape orientation
- Manfrotto PIXI Mini Tripod with adjustable locking ball for flexible positioning and control
- Durably constructed components for daily use

DELIVERY INCLUDES

- MKE 400 shotgun microphone
- Manfrotto PIXI Mini Tripod
- Sennheiser Smartphone Clamp
- Locking 3.5 mm TRS to TRS coiled cable
- Locking 3.5 mm TRS to TRRS coiled cable
- Windscreen
- Storage pouch

ACCESSORIES

Locking 3.5 mm TRS to USB-C cable

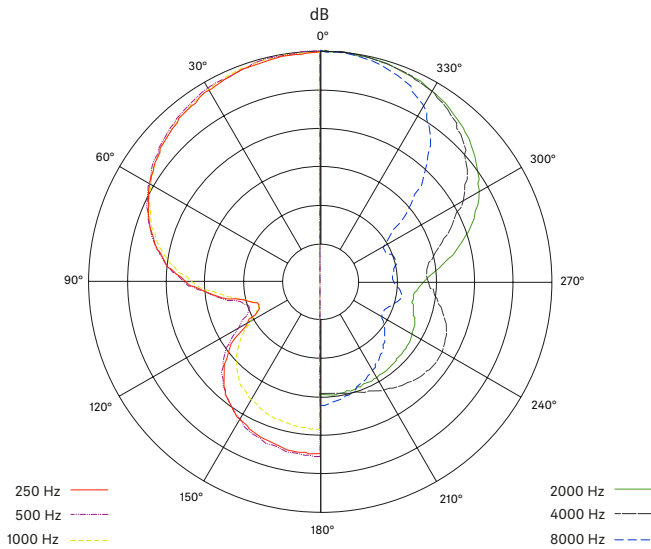
Art. no. 509262



MKE 400 Mobile Kit

MKE 400 compact shotgun microphone with Smartphone Clamp & Manfrotto PIXI Mini Tripod

POLAR PATTERN



SPECIFICATIONS

MKE 400

Microphone

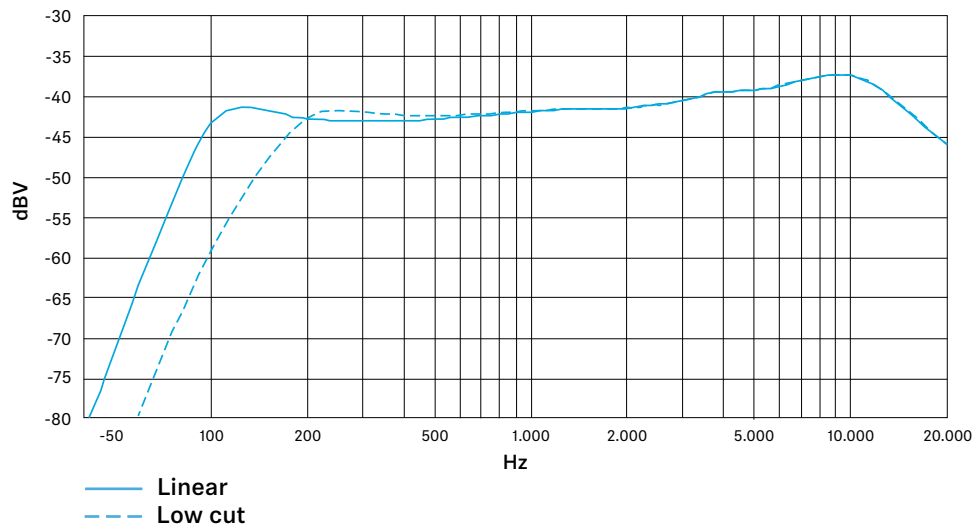
Power Supply	Battery (2x AAA / LR03 size, 1.5 V)
Required Plug-in Power	2 - 10V
Transducer Principle	pre-polarized condenser
Frequency Response	50 to 20,000 Hz
Pick-up Pattern	super cardioid
Sensitivity at 1 kHz (free field)	-23 / -42 / -63 dB V/Pa
Max. SPL at 1 kHz	132 dB SPL
Operating Time	>100 h*
Low Battery Indicator	>3 h of remaining operating time
Microphone Output	3.5 mm jack, screwable
Dimensions	126 x 67 x 37 mm
Weight	93.5 g

* less when headphone is connected

Headphone Output

Headphone Output	3.5 mm jack
Min. Headphone Impedance	16 Ω
Output Power at 1 kHz	105 mW (impedance 16 Ω) 70 mW (impedance 32 Ω)
Total Harmonic Distortion	<1% at 50 mW
Digital Volume Control	8 steps à 6 dB each

FREQUENCY RESPONSE

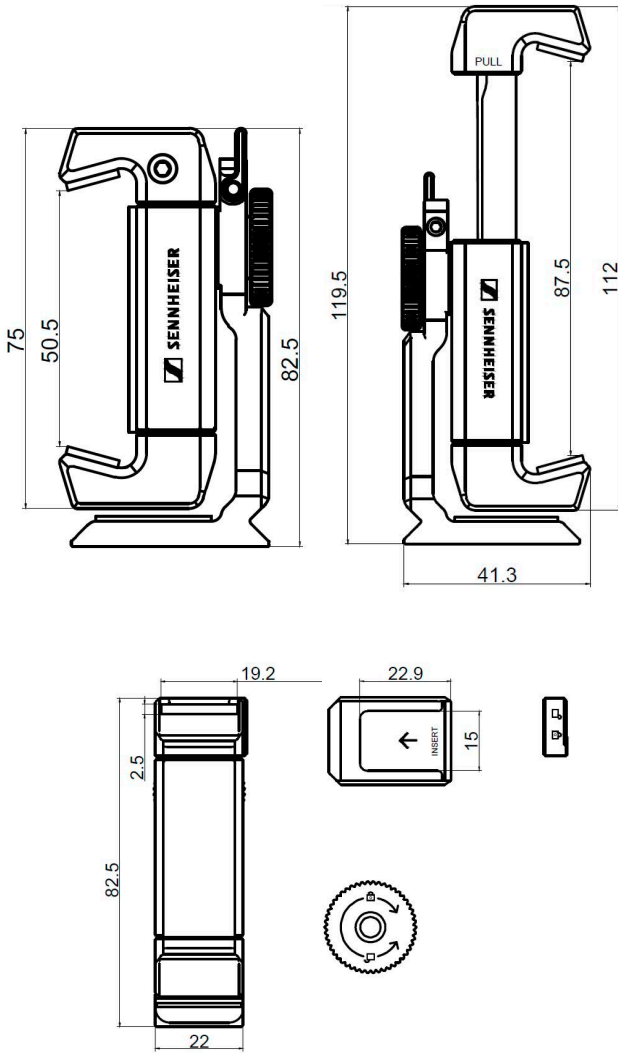




MKE 400 Mobile Kit

MKE 400 compact shotgun microphone with Smartphone Clamp & Manfrotto PIXI Mini Tripod

DIMENSIONS



SPECIFICATIONS

Smartphone Clamp

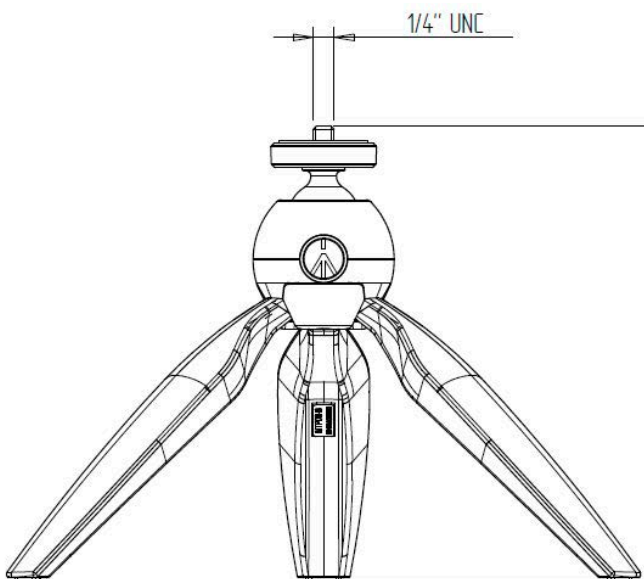
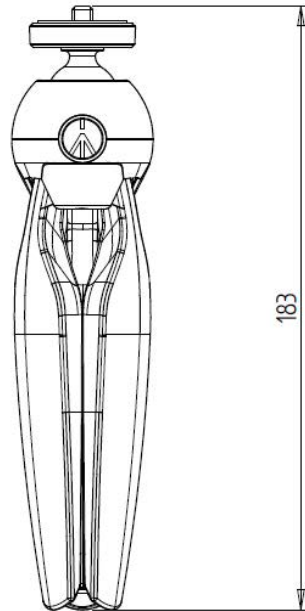
Weight	0.24 lbs / 109 g
Panoramic Rotation	360°
Min. Clip Size	2.2 in / 56 mm
Max. Clip Size	3.5 in / 89 mm
Mounting Interface (top)	Cold Shoe
Mounting Interfaces (back)	4 x 1/4"
Mounting Interfaces (bottom)	1 x 1/4" 1 x 3/8" Arca Swiss
Material	Aluminum, Stainless steel
Compatibility (Smartphones)	All smartphones with max width of 3.5 in / 89 mm
Compatibility	All products with cold shoe adapter



MKE 400 Mobile Kit

MKE 400 compact shotgun microphone with Smartphone Clamp & Manfrotto PIXI Mini Tripod

DIMENSIONS



SPECIFICATIONS

Manfrotto PIXI Mini Tripod

Product properties:

Weight	0.42 lbs / 190 g
Closed Length	7.20 in / 183 mm
Maximum Height	5.31 in / 135 mm
Min Height	5.31 in / 135 mm
Front Tilt	-35° / +35°
Lateral Tilt	-35° / +35°
Leg Angles	45°

Environmental conditions:

Material	Aluminum, Technopolymer
Max Working Temperature	140 °F / 60 °C
Min. Working Temperature	-22 °F / -30 °C

Ball head

Plate Type	fixed - with 1/4"
Panoramic Rotation	360°
Safety Payload Weight	2.2 lbs / 1 kg
Ball Locking	Yes
Mounting Interface (top)	1/4"
Max. Body Weight	1.4 lbs / 650 g
Max. Focal length	3.4 in / 85 mm