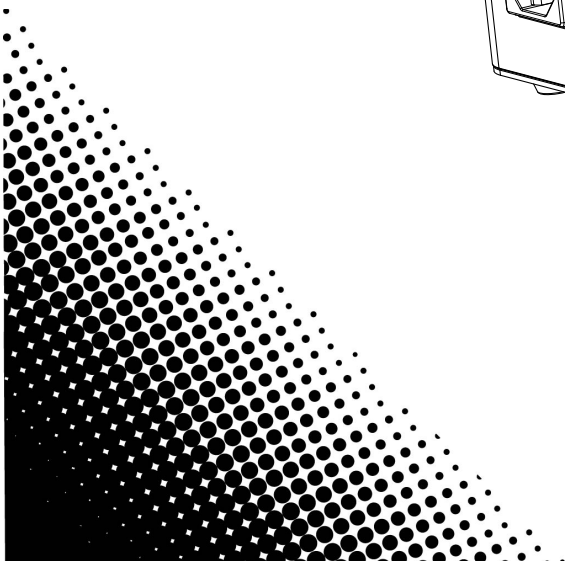
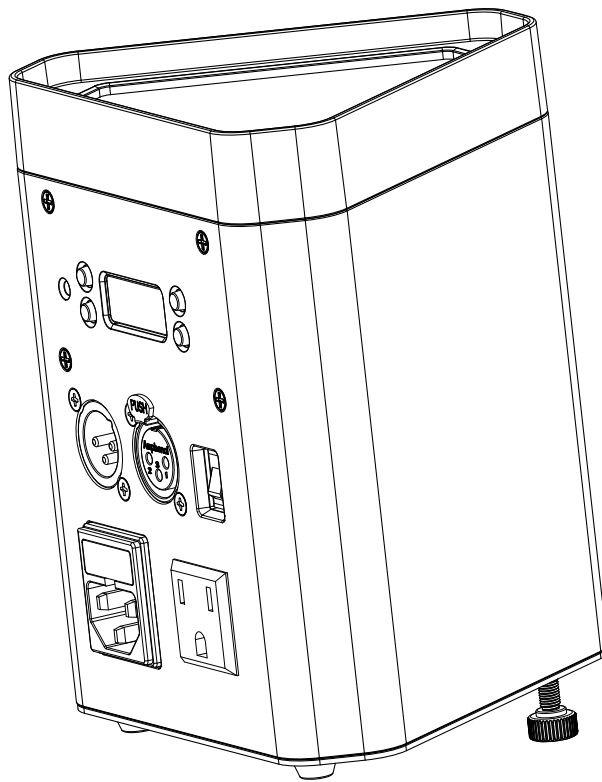


# FREEDOM WEDGE <sup>RF</sup> QUAD

## User Manual



**TABLE OF CONTENTS**

<b>1. Before You Begin .....</b>	<b>1</b>
What Is Included .....	1
Unpacking Instructions .....	1
Claims .....	1
Text Conventions .....	1
Symbols .....	1
Disclaimer .....	1
Intellectual Property .....	1
Safety Notes.....	2
<b>2. Introduction .....</b>	<b>3</b>
Product Overview .....	3
Product Dimensions .....	4
<b>3. Setup .....</b>	<b>5</b>
AC Power.....	5
Fuse Replacement .....	5
Power Linking.....	5
Battery Power.....	6
Charging the Battery .....	6
Battery Life Indicator .....	6
Mounting .....	7
Orientation.....	7
Rigging.....	7
<b>4. Operation .....</b>	<b>8</b>
Control Panel Operation.....	8
Menu Map .....	8
DMX Linking.....	9
DMX Personality and Starting Address .....	9
DMX Channel Assignments and Values .....	9
10CH .....	9
6-CH.....	10
4-CH.....	10
Configuration (Standalone) .....	11
Automatic Programs and Speed .....	11
Sound-Active Mode .....	11
Preset Color Mode .....	11
Custom Color Mixing .....	11
IRC-6 Infrared Remote Control .....	12
IRC-6 Operation .....	12
Master/Slave Mode .....	13
<b>5. Maintenance.....</b>	<b>14</b>
Product Maintenance .....	14
<b>6. Technical Specifications .....</b>	<b>15</b>
<b>Returns .....</b>	<b>16</b>
<b>Contact Us .....</b>	<b>17</b>

# 1. Before You Begin

## What Is Included

- Freedom Wedge Quad
- Power Cord
- IRC-6 Remote
- Quick Reference Guide

## Unpacking Instructions

Carefully unpack the product immediately and check the container to make sure all the parts are in the package and are in good condition.

### Claims





If the box or the contents (the product and included accessories) appear damaged from shipping, or show signs of mishandling, notify the carrier immediately, not Chauvet. Failure to report damage to the carrier immediately may invalidate your claim. In addition, keep the box and contents for inspection.

For other issues, such as missing components or parts, damage not related to shipping, or concealed damage, file a claim with Chauvet within 7 days of delivery.

## Text Conventions

Convention	Meaning
<b>1–512</b>	A range of values
<b>50/60</b>	A set of values of which only one can be chosen
<b>Settings</b>	A menu option not to be modified
<b>Menu &gt; Settings</b>	A sequence of menu options to be followed
<b>&lt;ENTER&gt;</b>	A button to be pressed on the product's control panel
<b>ON</b>	A value to be entered or selected

## Symbols

Symbol	Meaning
	Electrical warning. Not following these instructions may cause electrical damage to the product, accessories, or the user.
	Critical installation, configuration, or operation information. Not following these instructions may make the product not work, cause damage to the product, or cause harm to the operator.
	Important installation or configuration information. The product may not function correctly if this information is not used.
	Useful information.

## Disclaimer

Chauvet believes that the information contained in this manual is accurate in all respects. However, Chauvet assumes no responsibility and specifically disclaims any and all liability to any party for any loss, damage or disruption caused by any errors or omissions in this document, whether such errors or omissions result from negligence, accident or any other cause. Chauvet reserves the right to revise the content of this document without any obligation to notify any person or company of such revision, however, Chauvet has no obligation to make, and does not commit to make, any such revisions. Download the latest version from [www.chauvetdj.com](http://www.chauvetdj.com).

## Intellectual Property

The works of authorship contained in this manual, including, but not limited to, all design, text and images are owned by Chauvet.

© Copyright 2020 Chauvet & Sons, LLC. All rights reserved.

Electronically published by Chauvet in the United States of America.

CHAUVET, the Chauvet logo, and Freedom Wedge Quad are registered trademarks or trademarks of Chauvet & Sons LLC (d/b/a Chauvet and Chauvet Lighting) in the United States and other countries. Other company and product names and logos referred to herein may be trademarks of their respective companies.

## Safety Notes



- Always connect the product to a grounded circuit to avoid the risk of electrocution.
- Always disconnect the product from the power source before cleaning or replacing the fuse.
- Avoid direct eye exposure to the light source while the product is on.
- Make sure the power cord is not crimped or damaged.
- Never disconnect the product from power by pulling or tugging on the cord.
- Make sure there are no flammable materials close to the product when operating.
- Do not touch the product's housing when operating because it may be very hot.
- Do not charge the battery of the product in a closed case or container.
  
- The product is not intended for permanent installation.
- The voltage of the outlet to which you are connecting this product must be within the range stated on the decal or rear panel of the product.
- This product is for indoor use only! (IP20) To prevent risk of fire or shock, do not expose this product to rain or moisture.
- Never connect the product to a dimmer or rheostat.
- Make sure to replace the fuse with another of the same type and rating.
- Never carry the product from the power cord or any moving part.
- The maximum ambient temperature is 104 °F (40 °C). Do not operate this product at higher temperatures.
- In the event of a serious operating problem, stop using the product immediately.
- Never attempt to repair the product. Repairs carried out by unskilled people can lead to damage or malfunction. Please contact the nearest authorized technical assistance center.
- To eliminate unnecessary wear and improve its lifespan, during periods of non-use completely disconnect the product from power via breaker or by unplugging it.

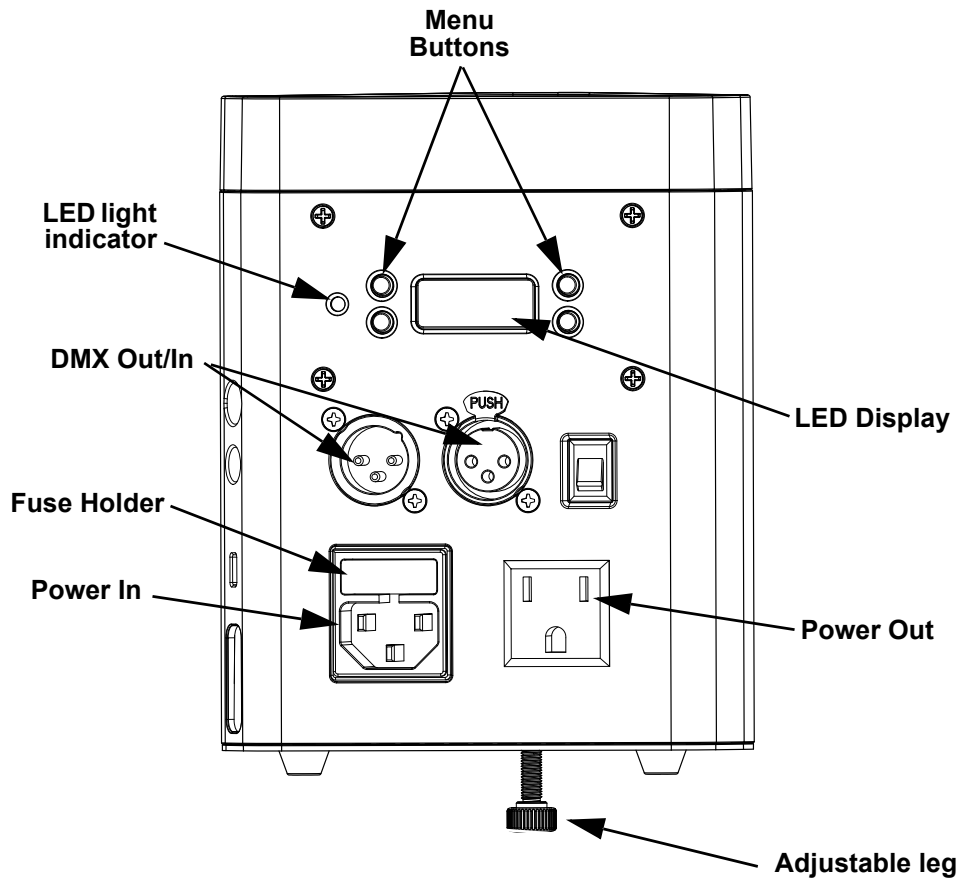


**Keep this User Manual for future use. If the product is sold to someone else, be sure that they also receive this document.**

## 2. Introduction

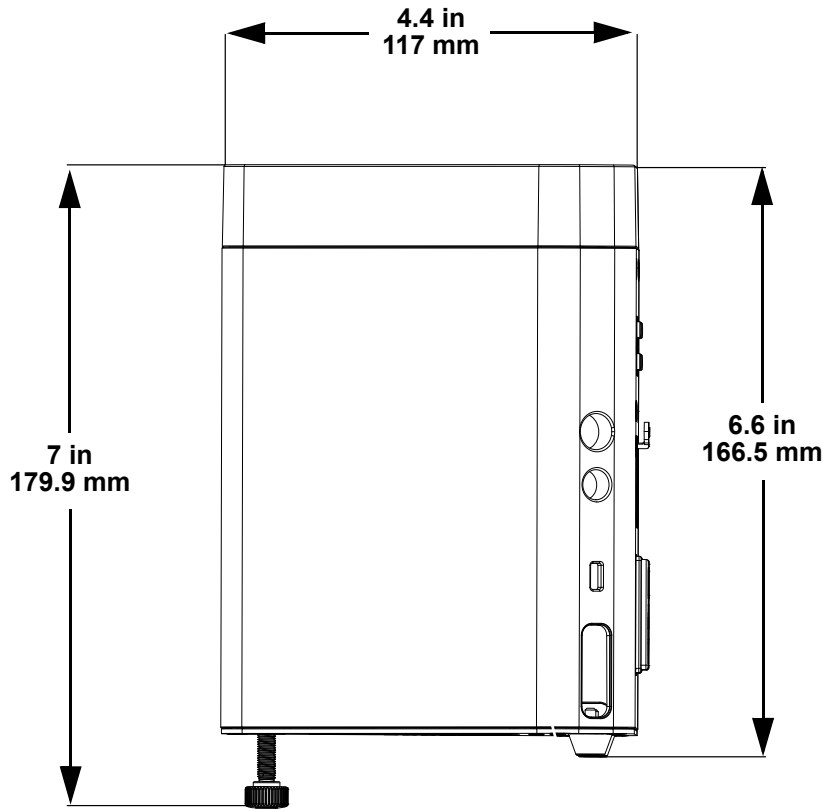
### Product Overview

Back Panel View

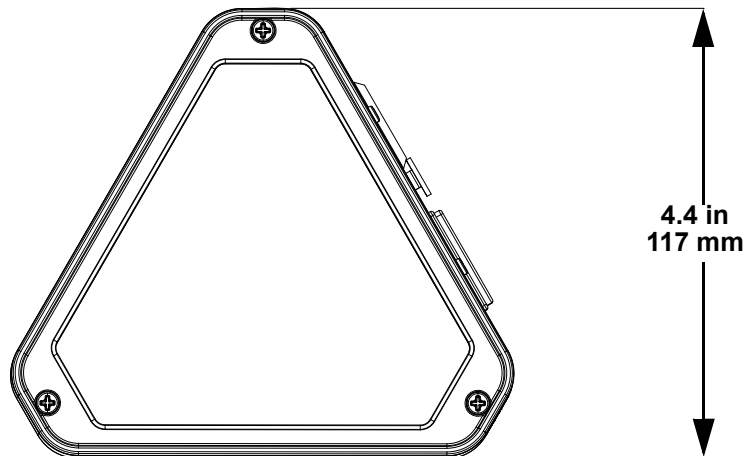


**Product Dimensions**

**Side View**



**Top View**



### 3. Setup

#### AC Power

The Freedom Wedge Quad has an auto-ranging power supply and it can work with an input voltage range of 100 to 240 VAC, 50/60 Hz.

To determine the product's power requirements (circuit breaker, power outlet, and wiring), use the current value listed on the label affixed to the product's back panel, or refer to the product's specifications chart. The listed current rating indicates the product's average current draw under normal conditions.



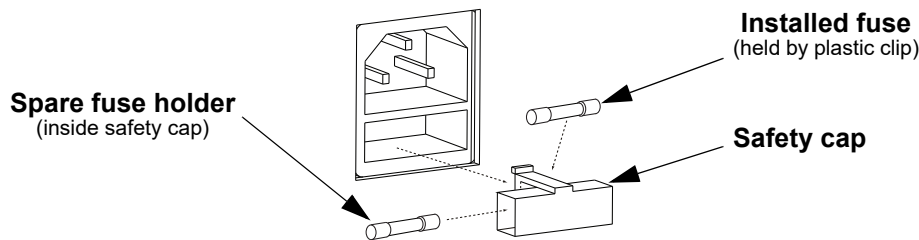
- **Always connect the product to a protected circuit (a circuit breaker or fuse). Make sure the product has an appropriate electrical ground to avoid the risk of electrocution or fire.**
- **To eliminate unnecessary wear and improve its lifespan, during periods of non-use completely disconnect the product from power via breaker or by unplugging it.**



**Never connect the product to a rheostat (variable resistor) or dimmer circuit, even if the rheostat or dimmer channel serves only as a 0 to 100% switch.**

#### Fuse Replacement

1. Disconnect the product from power.
2. Wedge the tip of a flat-head screwdriver into the slot of the fuse holder.
3. Pry the fuse holder out of the housing.
4. Remove the blown fuse from the holder and replace with a fuse of the exact same type and rating.
5. Insert the fuse holder back in place and reconnect power.

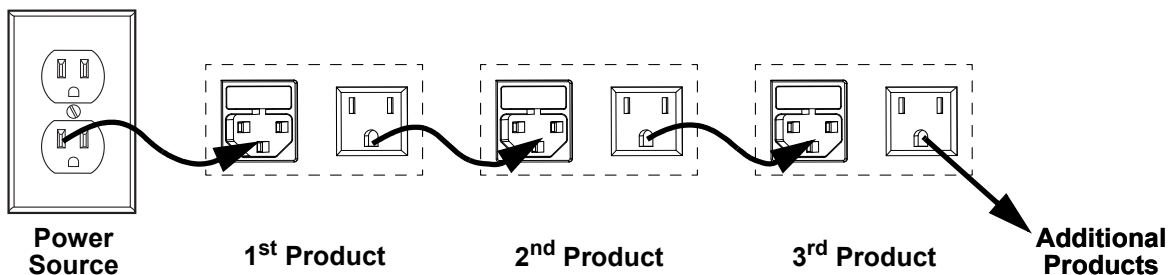


**Disconnect the product from the power outlet before replacing the fuse.**

#### Power Linking

The product provides power linking via the outlets located in the back of the product. See the diagram below for further explanation.

#### Power Linking Diagram



**You can power link up to 21 Freedom Wedge Quad products on 120 VAC or up to 39 Freedom Wedge Quad products on 230 VAC.**



**The power linking diagram shown above corresponds to the North American version of the product ONLY! If using the product in other markets, you must consult with the local Chauvet distributor as power linking connectors and requirements may differ in your country or region.**

### Battery Power

The Freedom Wedge Quad comes with a rechargeable lithium battery for cable free operation.

#### Charging the Battery

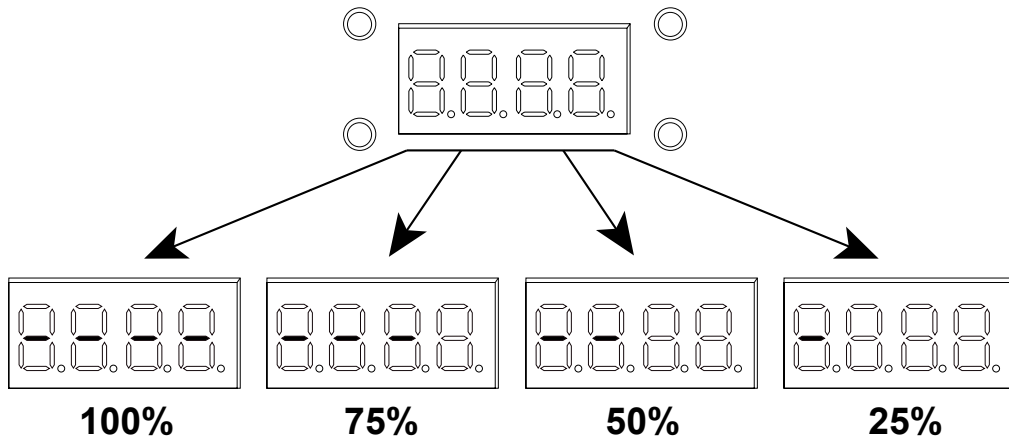
The battery charges whenever the Freedom Wedge Quad is plugged into the external power cord and the charger is plugged into a power source. If the product is plugged in and not in operation, make sure the product is turned off.



**Charge the Freedom Wedge Quad while the unit is powered OFF.**

#### Battery Life Indicator

The indicators on the LED Menu Display show how much battery life remains available. The drawing below provides a key to reading the battery life indicators.



#### Battery Run Time

Maximum Run Time (all on)	Maximum Run Time (single color)	Recharge Time
Up to 8 hours	Up to 20 hours	5 hours



## Setup

### Mounting

Before mounting the product, read and follow the safety recommendations indicated in the [Safety Notes](#).

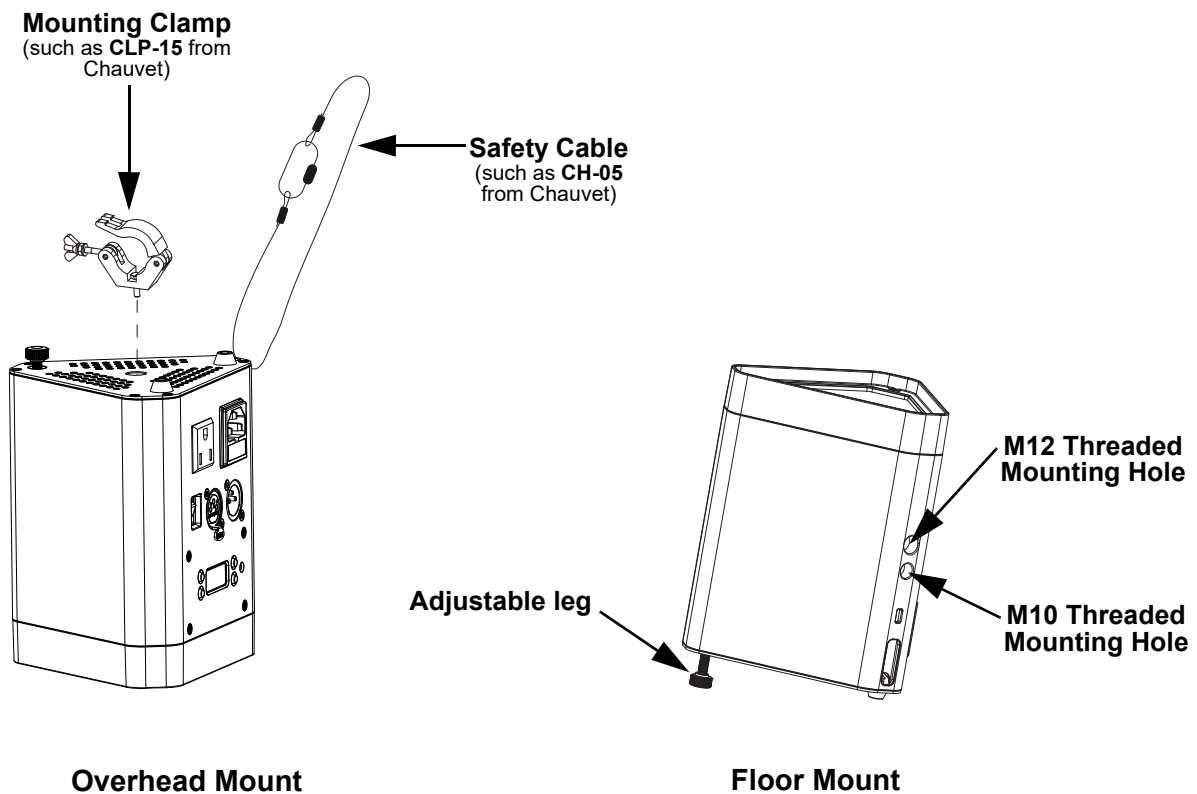
### Orientation

The Freedom Wedge Quad may be mounted in any position; however, make sure adequate ventilation is provided around the product.

### Rigging

- Before deciding on a location, always make sure there is easy access to the product for maintenance and programming.
- Make sure adequate ventilation is provided around the product.
- Make sure that the structure or surface onto which you are mounting the product can support the product's weight. (see the [Technical Specifications](#))
- When mounting the product overhead, always use a safety cable. Mount the product securely to a rigging point, whether an elevated platform or a truss.
- When rigging the product onto a truss, use a mounting clamp of appropriate weight capacity.

### Mounting Diagram



## 4. Operation

### Control Panel Operation

To access the control panel functions, use the four buttons located underneath the display. Please refer to the [Product Overview](#) to see the button locations on the control panel.

Button	Function
<MENU>	Press to find an operation mode or to back out of the current menu option
<UP>	Press to scroll up the list of options or to increase the numeric value in a function
<DOWN>	Press to scroll down the list of options or to decrease the numeric value in a function
<ENTER>	Press to activate a menu option or set the selected value in a function

### Menu Map

Mode	Programming Levels		Description	
DMX Channel	4-CH	d 1–512	Sets DMX personality	
	6-CH			
	10CH			
Static Color	C--	C 1–15	Static colors	
Auto Programs	P--	P 1–4	Sets automatic programs 1–4	
Auto Speed	S--	S 1–100	Adjusts the auto program speed	
Sound Active Mode	Snd	Snd1–2	Selects the sound-active modes	
Sensitivity	SenS	u 1–100	Sets sound sensitivity	
Custom Color Mixing	U--	r 0–255	Custom static colors Combine red, green, blue, and amber	
		g 0–255		
		b 0–255		
		A 0–255		
Dimmer Speed	DIM	OFF	No dimming effect	
		dIM1	Sets the dimming speed, fast to slow	
		dIM2		
		dIM3		
IR Setting	SEt	On	Turns infrared on or off	
		OFF		
Wireless DMX	S-tr	drCH	dr 1–16	Sets the wireless DMX receiver channel
		dtCH	dt 1–16	Sets the wireless DMX transmitter channel

## DMX Linking

The Freedom Wedge Quad can work with a DMX controller. Instructions for connecting and configuring this product for DMX operation are in the User Manual. If you are not familiar with DMX, download the DMX Primer from [www.chauvetdj.com](http://www.chauvetdj.com).

### DMX Personality and Starting Address

When selecting a starting DMX address, always consider the number of DMX channels the selected DMX mode uses. If the starting address is set too high, access to some of the product’s channels could be restricted.

To ensure full access to all channels available in each DMX mode, the highest recommended DMX address is **510**.

For information about the DMX protocol, download the DMX Primer from [www.chauvetdj.com](http://www.chauvetdj.com).

To select the starting address, do the following:

1. Press **<MENU>** repeatedly until **DMX Channel** shows on the display.
2. Press **<ENTER>**.
3. Use **<UP>** or **<DOWN>** to select **4-CH**, **6-CH**, or **10CH**.
4. Press **<ENTER>** and **001** will show on the display.
5. Use **<UP>** or **<DOWN>** to select the starting address.
6. Press **<ENTER>**.

## DMX Channel Assignments and Values

### 10CH

Channel	Function	Value	Percent/Setting
1	Dimmer	000 ⇔ 255	0–100%
2	Red	000 ⇔ 255	0–100%
3	Green	000 ⇔ 255	0–100%
4	Blue	000 ⇔ 255	0–100%
5	Amber	000 ⇔ 255	0–100%
6	Color Macro	000 ⇔ 255	0–100%
7	Strobe	000 ⇔ 010	No function
		011 ⇔ 255	Strobe, slow to fast
8	Auto/Sound-Active Programs	000 ⇔ 010	No function
		011 ⇔ 060	Auto program 1
		061 ⇔ 120	Auto program 2
		121 ⇔ 180	Auto program 3
		181 ⇔ 240	Auto program 4
		241 ⇔ 255	Sound-active Program
9	Auto Speed (when Ch. 8 is 011 ⇔ 255)	000 ⇔ 255	Auto program speed, slow to fast
	Sound Sensitivity (when Ch. 8 is 241 ⇔ 255)	000 ⇔ 010	Sound-sensitivity off
		011 ⇔ 255	Sound sensitivity, low to high
10	Dimmer Speed Mode	000 ⇔ 051	Preset dimmer speed from display menu
		052 ⇔ 101	Dimmer speed mode off
		102 ⇔ 152	Dimmer speed mode 1 (fast)
		153 ⇔ 203	Dimmer speed mode 2 (medium)
		204 ⇔ 255	Dimmer speed mode 3 (slow)

**6-CH**

Channel	Function	Value	Percent/Setting
1	Dimmer	000 ⇔ 255	0–100%
2	Red	000 ⇔ 255	0–100%
3	Green	000 ⇔ 255	0–100%
4	Blue	000 ⇔ 255	0–100%
5	Amber	000 ⇔ 255	0–100%
6	Strobe	000 ⇔ 010	No function
		011 ⇔ 255	Strobe, slow to fast

**4-CH**

Channel	Function	Value	Percent/Setting
1	Red	000 ⇔ 255	0–100%
2	Green	000 ⇔ 255	0–100%
3	Blue	000 ⇔ 255	0–100%
4	Amber	000 ⇔ 255	0–100%

### Configuration (Standalone)

Set the product in one of the standalone modes to control without a DMX controller..



**Never connect a product that is operating in any standalone mode to a DMX string connected to a DMX controller. Products in standalone mode may transmit DMX signals that could interfere with the DMX signals from the controller.**

### Automatic Programs and Speed

To run the Freedom Wedge Quad in Automatic mode, follow the instructions below:

1. Press **<MENU>** repeatedly until **P--** displays on the menu.
2. Press **<ENTER>**.
3. Use **<UP>** or **<DOWN>** to select from **P 1–4**.
4. Press **<ENTER>**.
5. Press **<MENU>** repeatedly until **S--** displays on the menu.
6. Press **<ENTER>**.
7. Use **<UP>** or **<DOWN>** to increase or decrease the speed (**S 1–100**).
8. Press **<ENTER>**.

### Sound-Active Mode

To run the Freedom Wedge Quad in sound-active mode, do the following:

1. Press **<MENU>** repeatedly until **Snd** displays on the menu.
2. Press **<ENTER>**.
3. Use **<UP>** or **<DOWN>** to select from **Snd 1–2**.
4. Press **<ENTER>**.
5. Press **<MENU>** repeatedly until **SenS** displays on the menu.
6. Press **<ENTER>**.
7. Use **<UP>** or **<DOWN>** to increase or decrease the sound sensitivity (**u 1–100**).
8. Press **<ENTER>**.

### Preset Color Mode

To run the Freedom Wedge Quad on a preset static color, do the following:

1. Press **<MENU>** repeatedly until **C--** shows on the display.
2. Press **<ENTER>**.
3. Use **<UP>** or **<DOWN>** to select from **C 1–15**.
4. Press **<ENTER>**.

### Custom Color Mixing

To mix a custom static color on the Freedom Wedge Quad, do the following:

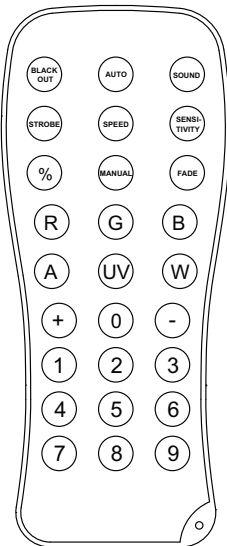
1. Press **<MENU>** repeatedly until **U--** shows on the display.
2. Press **<ENTER>**.
3. Press **<UP>** or **<DOWN>** to cycle through the following options:
  - **r** (red)
  - **g** (green)
  - **b** (blue)
  - **A** (amber)
4. Press **<ENTER>** to select an option.
5. Use **<UP>** or **<DOWN>** to increase or decrease the selected value, from **0–255**.
6. Press **<ENTER>**.
7. Repeat steps 3–6 for each ring until the colors are set as desired.

## IRC-6 Infrared Remote Control

The Freedom Wedge Quad can be operated with the CHAUVET IRC-6. To enable IR wireless control, follow the instructions below.

1. Press **<MENU>** to view the main menu on the display.
2. Use **<UP>** or **<DOWN>** until **SEt** is selected.
3. Press **<ENTER>**.
4. Use **<UP>** or **<DOWN>** to select **On**.
5. Press **<ENTER>**.

### IRC-6 Operation



#### Automatic Mode

Automatic mode will enable you to run the automatic programs on the product.

To turn on Automatic mode (snap) with the IRC-6:

1. Press **<AUTO>** on the IRC-6.
2. Press **<+>** or **<->** to choose between the different auto programs.

To adjust the speed of the automatic program:

1. Press **<SPEED>** on the IRC-6.
2. Press **<+>** or **<->** to increase or decrease the speed of the program.

#### Sound-Active Mode

To turn on Sound-Active mode with the IRC-6:

1. Press **<SOUND>** on the IRC-6.
2. Press **<+>** or **<->** to select a sound-active program.

To adjust the sound sensitivity:

1. Press **<SENSITIVITY>** on the IRC-6.
2. Press **<+>** or **<->** to increase or decrease the sensitivity.

#### Manual Color Control

To select a preset static color with the IRC-6:

1. Press **<MANUAL>** on the IRC-6.
2. Press any number between 0–9 to choose your color.

To manually control the RGBA percentage with the IRC-6:

1. Press **<MANUAL>** on the IRC-6.
2. Select the color to be edited, from **<R>** (red), **<G>** (green), **<B>** (blue), or **<A>** (amber).
3. Press **<+>** or **<->** to increase or decrease the intensity of the selected color.
4. Repeat steps 2 and 3 until the product outputs as desired.

#### Strobe

To adjust the strobe rate with the IRC-6:

1. Press **<STROBE>** on the IRC-6.
2. Press **<+>** or **<->** to increase or decrease the strobe rate.
3. Set to **0** to turn off the strobe.

#### Black Out

To black out the lights with the IRC-6:

1. Press **<BLACK OUT>** on the IRC-6.

**This will turn off all the lights until the button is pressed again.**

## Master/Slave Mode

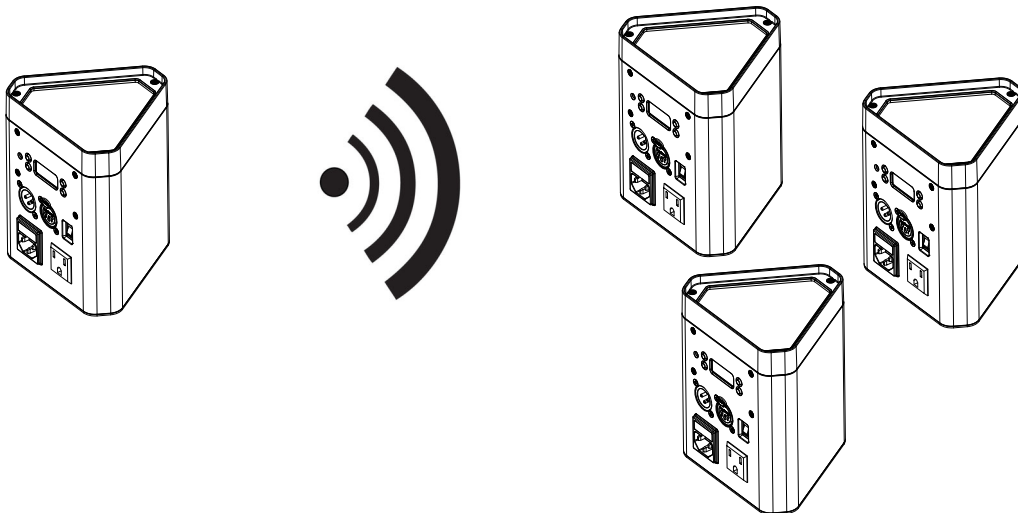
The Freedom Wedge Quad uses the wireless DMX data connection for its Master/Slave mode. The Master/Slave mode allows a single Freedom Wedge Quad product (the “master”) to control the actions of one or more Freedom Wedge Quad products (the “slaves”) without the need of a DMX controller. The master product will be set to operate in transmitter mode, while the slave products will be set to operate in receiver mode. Once set and connected, the slave products will operate in unison with the master product. Configure the products as indicated below.

### Transmitting/master product:

1. Press **<MENU>** repeatedly until **S-tr** shows on the display.
2. Press **<ENTER>**.
3. Use **<UP>** or **<DOWN>** to select **dtCH**.
4. Press **<ENTER>**.
5. Use **<UP>** or **<DOWN>** to select the wireless DMX transmitter channel (**dt 1–16**).
6. Press **<ENTER>**.
7. Set the master product to operate in standalone mode or with the IR remote.

### Receiving/slave products:

1. Press **<MENU>** repeatedly until **S-tr** shows on the display.
2. Press **<ENTER>**.
3. Use **<UP>** or **<DOWN>** to select **drCH**.
4. Press **<ENTER>**.
5. Use **<UP>** or **<DOWN>** to select the wireless DMX receiver channel (**dr 1–16**). The channel number should match the transmitting signal you chose when setting up the transmitting product.
6. Press **<ENTER>**.



- To sync multiple transmitters in one room, manually set each receiver and the designated transmitter to a specific channel and then perform the syncing steps.
- You can wirelessly sync an unlimited amount of receivers to one transmitter. To ensure strong signals, the units should remain in an unobstructed line of sight of each other.

## 5. Maintenance

### Product Maintenance

Dust build-up reduces light output performance and can cause overheating. This can lead to reduction of the light source's life and/or mechanical wear. To maintain optimum performance and minimize wear, clean your lighting products at least twice a month. However, be aware that usage and environmental conditions could be contributing factors to increase the cleaning frequency.

To clean the product, follow the instructions below:

1. Unplug the product from power.
2. Wait until the product is at room temperature.
3. Use a vacuum (or dry compressed air) and a soft brush to remove dust collected on the external surface/vents.
4. Clean all transparent surfaces with a mild soap solution, ammonia-free glass cleaner, or isopropyl alcohol.
5. Apply the solution directly to a soft, lint free cotton cloth or a lens cleaning tissue.
6. Softly drag any dirt or grime to the outside of the transparent surface.
7. Gently polish the transparent surfaces until they are free of haze and lint.



**Always dry the transparent surfaces carefully after cleaning them.**



## 6. Technical Specifications

### Dimensions and Weight

Length	Width	Height	Weight
4.4 in (117 mm)	4.4 in (117 mm)	6.6 in (166.5 mm)	3.8 lb (1.8 kg)

**Note:** Dimensions in inches rounded to the nearest decimal digit.

### Power

Power Supply Type	Range	Voltage Selection
Switching (internal)	100 to 240 VAC, 50/60 Hz	Auto-ranging

Parameter	120 V, 60 Hz	230 V, 50 Hz
Consumption	43 W	47 W
Operating Current	0.4 A	0.2 A
Fuse	1.6 A, 250 V	1.6 A, 250 V

Power I/O	U.S./Worldwide	UK/Europe
Power input connector	IEC	IEC
Power Cord plug	Edison (U.S.)	Local Plug

### Light Source

Type	Color	Quantity	Power	Current	Lifespan
LED	RGBA	3	6 W	2.4 A	50,000 hours

### Photometrics

Strobe Rate	Beam Angle	Field Angle
0 to 25 Hz	19°	36°

### Thermal

Maximum External Temperature	Cooling System
104 °F (40 °C)	Convection

### DMX

Channel Range	Optional Controllers
4, 6, or 10	IRC-6

### Ordering

Product Name	Item Code	UPC Number
Freedom Wedge Quad	03031672	781462220204



## Returns

In case you need to get support or return a product:

- If you are located in the US, contact Chauvet World Headquarters.
- If you are located in the UK or Ireland, contact Chauvet Europe Ltd.
- If you are located in Benelux, contact Chauvet Europe BVBA.
- If you are located in France, contact Chauvet France.
- If you are located in Germany, contact Chauvet Germany.
- If you are located in Mexico, contact Chauvet Mexico.
- If you are located in any other country, DO NOT contact Chauvet. Instead, contact your local distributor. See [www.chauvetdj.com](http://www.chauvetdj.com) for distributors outside the US, UK, Ireland, Benelux, France, Germany, or Mexico.



**If you are located outside the US, UK, Ireland, Benelux, France, Germany, or Mexico, contact your distributor of record and follow their instructions on how to return Chauvet products to them. Visit our website [www.chauvetdj.com](http://www.chauvetdj.com) for contact details.**

Call the corresponding Chauvet Technical Support office and request a Return Merchandise Authorization (RMA) number before shipping the product. Be prepared to provide the model number, serial number, and a brief description of the cause for the return.

To submit a service request online, go to [www.chauvetdj.com/service-request](http://www.chauvetdj.com/service-request).

Send the merchandise prepaid, in its original box, and with its original packing and accessories. Chauvet will not issue call tags.

Clearly label the package with the RMA number. Chauvet will refuse any product returned without an RMA number.



**Write the RMA number on a properly affixed label. DO NOT write the RMA number directly on the box.**

Before sending the product, clearly write the following information on a piece of paper and place it inside the box:

- Your name
- Your address
- Your phone number
- RMA number
- A brief description of the problem

Be sure to pack the product properly. Any shipping damage resulting from inadequate packaging will be your responsibility. FedEx packing or double-boxing are recommended.



**Chauvet reserves the right to use its own discretion to repair or replace returned product(s).**

## Contact Us

General Information	Technical Support
<b>Chauvet World Headquarters</b>	
Address: 5200 NW 108th Ave. Sunrise, FL 33351 Voice: (954) 577-4455 Fax: (954) 929-5560 Toll Free: (800) 762-1084	Voice: (844) 393-7575 Fax: (954) 756-8015 Email: <a href="mailto:chauvetcs@chauvetlighting.com">chauvetcs@chauvetlighting.com</a> Website: <a href="http://www.chauvetdj.com">www.chauvetdj.com</a>
<b>Chauvet Europe Ltd</b>	
Address: Unit 1C Brookhill Road Industrial Estate Pinxton, Nottingham, UK NG16 6NT Voice: +44 (0) 1773 511115 Fax: +44 (0) 1773 511110	Email: <a href="mailto:UKtech@chauvetlighting.eu">UKtech@chauvetlighting.eu</a> Website: <a href="http://www.chauvetdj.eu">www.chauvetdj.eu</a>
<b>Chauvet Europe BVBA</b>	
Address: Stokstraat 18 9770 Kruishoutem Belgium Voice: +32 9 388 93 97	Email: <a href="mailto:BNLtech@chauvetlighting.eu">BNLtech@chauvetlighting.eu</a> Website: <a href="http://www.chauvetdj.eu">www.chauvetdj.eu</a>
<b>Chauvet France</b>	
Address: 3, Rue Ampère 91380 Chilly-Mazarin France Voice: +33 1 78 85 33 59	Email: <a href="mailto:FRtech@chauvetlighting.fr">FRtech@chauvetlighting.fr</a> Website: <a href="http://www.chauvetdj.eu">www.chauvetdj.eu</a>
<b>Chauvet Germany</b>	
Address: Bruno-Bürgel-Str. 11 28759 Bremen Germany Voice: +49 421 62 60 20	Email: <a href="mailto:DEtech@chauvetlighting.de">DEtech@chauvetlighting.de</a> Website: <a href="http://www.chauvetdj.eu">www.chauvetdj.eu</a>
<b>Chauvet Mexico</b>	
Address: Av. de las Partidas 34 - 3B (Entrance by Calle 2) Zona Industrial Lerma Lerma, Edo. de México, CP 52000 Voice: +52 (728) 690-2010	Email: <a href="mailto:servicio@chauvet.com.mx">servicio@chauvet.com.mx</a> Website: <a href="http://www.chauvetdj.mx">www.chauvetdj.mx</a>

Visit the applicable website above to verify our contact information and instructions to request support. Outside the US, United Kingdom, Ireland, Mexico, France, Germany, or Benelux, contact the dealer of record.