

Canon

Digital Drive Unit

INFORMATION DISPLAY

信息显示屏

クイックガイド

Quick Guide

速查指南

J/E/C

Information Display Quick Guide

Contents

Basic Operation 2

Basic Mode Top Screen 3

Basic Mode Menu Screen 4

Full Mode Top Screen 5

Full Mode Menu Screen 6

Operation Example 7

Assigning a function to
VTR, RET, and AUX switches 7

Adjusting the iris gain 8

Using Digital Functions 9

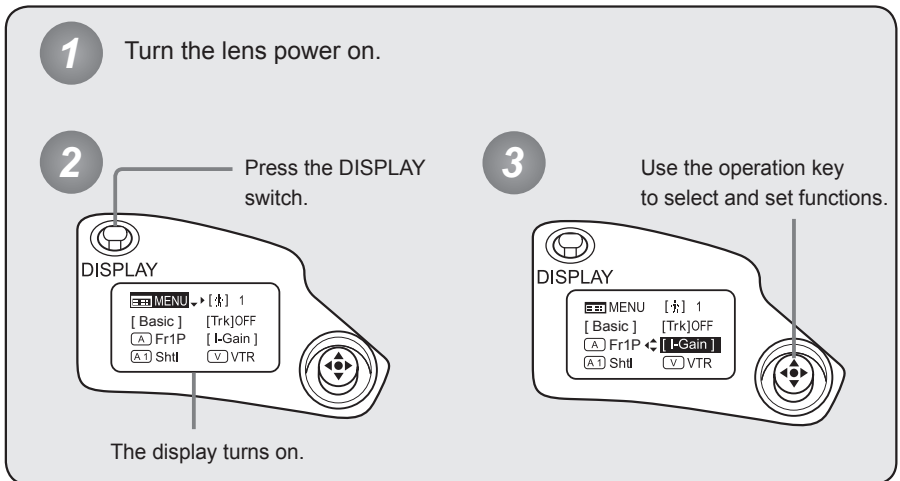
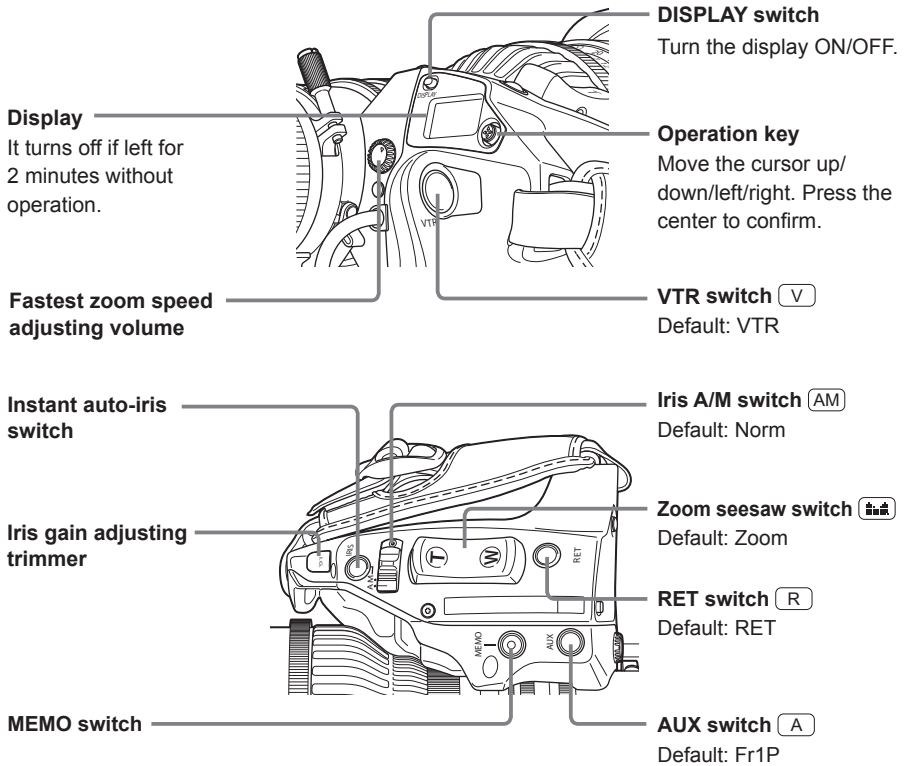
■ **Zoom Track Function** 9
Setting the zoom range

■ **Shuttle Shot** 10
“Shuttle” between two zoom positions at the fastest speed

■ **Speed Preset** 11
Reproducing the preset zoom speed and direction

■ **Framing Preset** 11
Reproducing the preset view angle and zoom speed

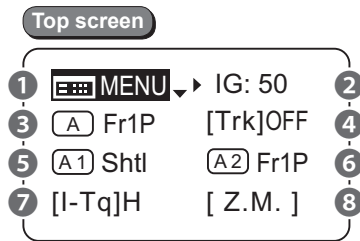
Basic Operation



Basic Mode Top Screen

The Top screen in Basic mode is an initial screen displayed when the DISPLAY switch is pressed. Digital functions can be set and viewed from this screen. This guide describes the screens in Basic and Full modes.

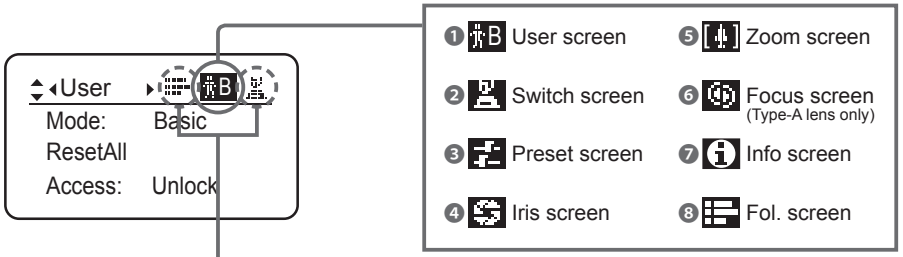
For details on how to set each item, refer to the “Information Display Manual” on the CD-ROM.



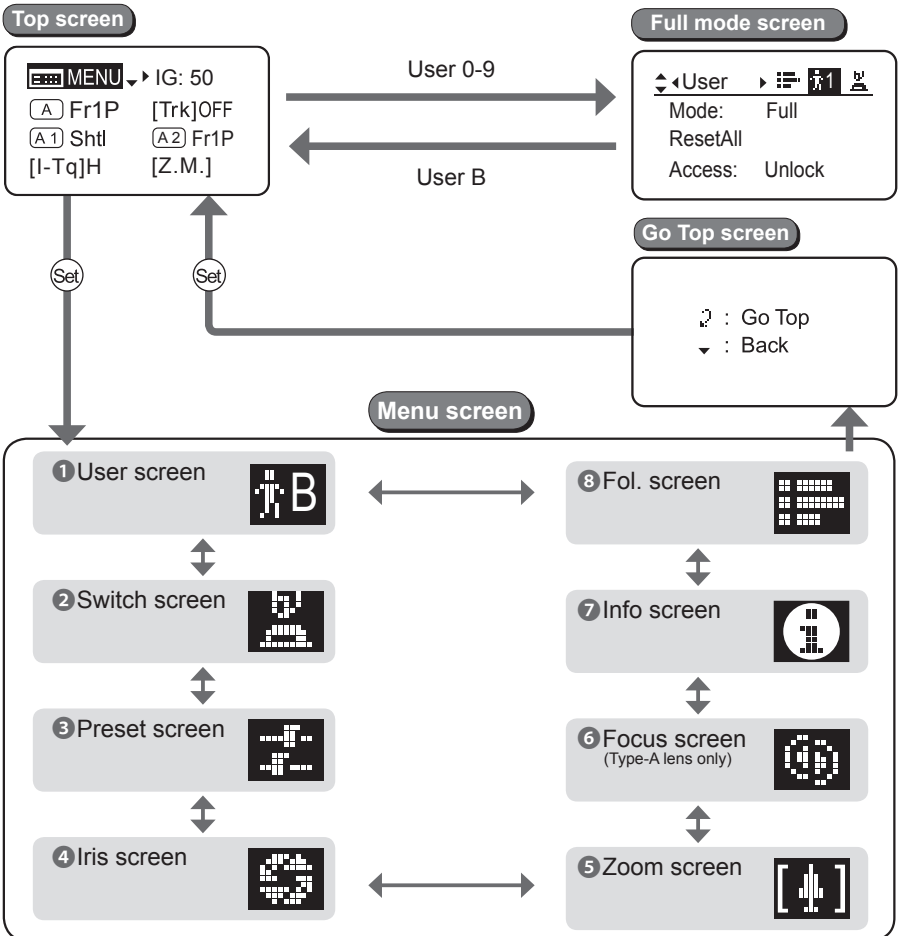
- | | | |
|---|--------------------------|---|
| 1 | MENU | Go to Menu screen. |
| 2 | IG Iris gain | Used to set the auto iris gain. |
| 3 | [A] AUX switch | Function assignment to AUX. Default: "Fr1P" |
| 4 | [Trk] Zoom track | Used to enable/disable the zoom track function. |
| 5 | [A1] AUX1 switch | Function assignment to AUX1. Default: "Shtl" |
| 6 | [A2] AUX2 switch | Function assignment to AUX2. Default: "Fr1P" |
| 7 | [I-Tq] Iris torque | Used to set iris torque. |
| 8 | [Z.M.] Zoom curve mode | Used to change the characteristics of the zoom speed variation. |

Basic Mode Menu Screen

The icon of the active screen is highlighted.

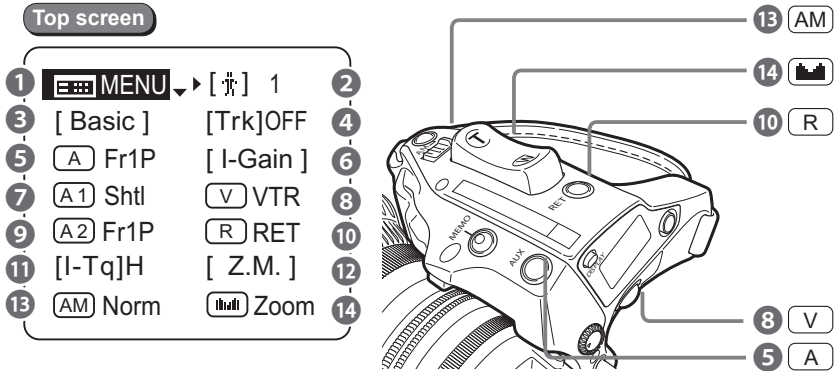


The icons of the inactive screens are not highlighted.



Full Mode Top Screen

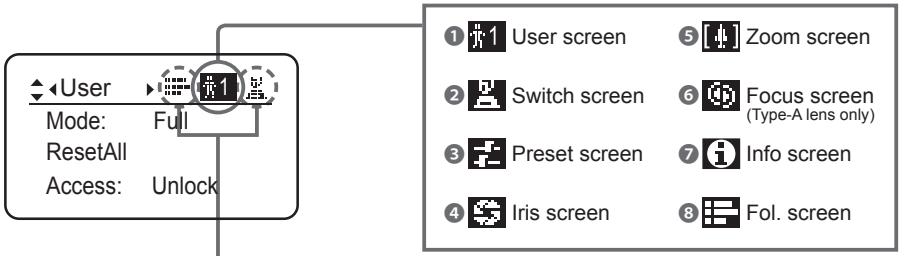
Top screen in Full mode. The Following 14 items can be set and viewed on this screen.



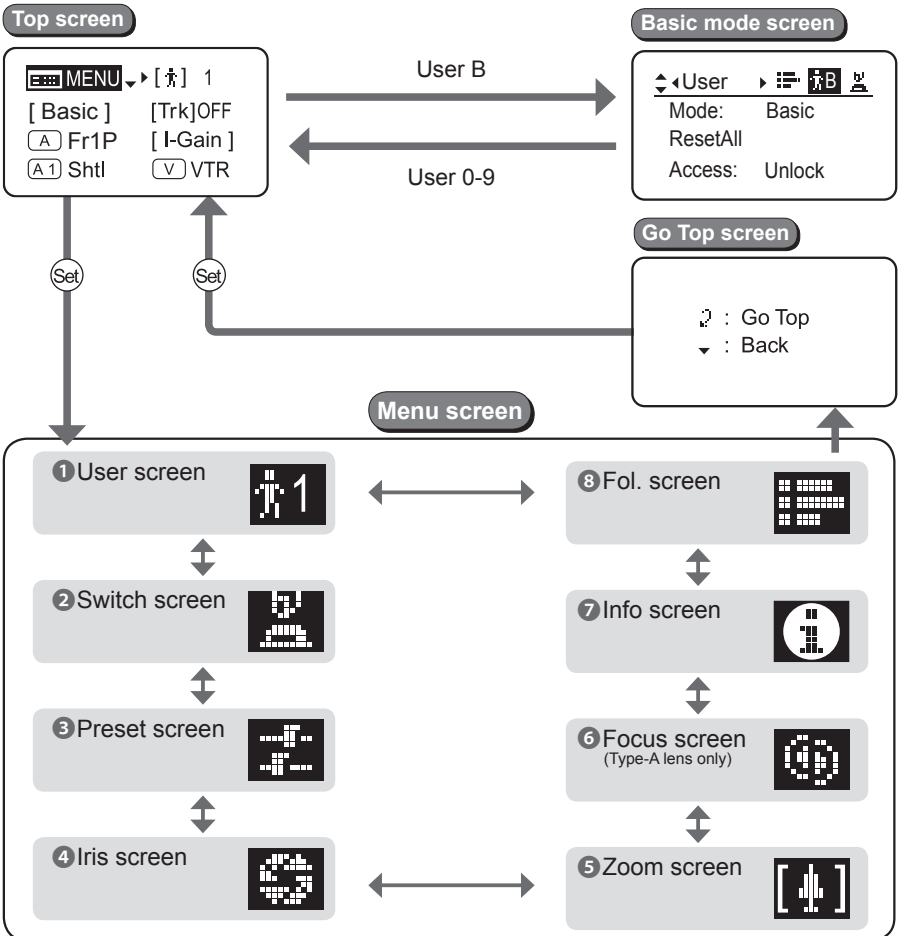
- | | | |
|----|--|---|
| 1 | MENU | Go to Menu screen. |
| 2 | User | User-customized settings specific to individual user can be set for each user, from 1 to 9. |
| 3 | [Basic] Switching to Basic mode | Switching to Basic mode |
| 4 | [Trk] Zoom track | Used to enable/disable the zoom track function. |
| 5 | [A] AUX switch | Function assignment to AUX. Default: "Fr1P" |
| 6 | [I-Gain] Iris gain | Used to adjust the iris gain. |
| 7 | [A1] AUX1 switch | Function assignment to AUX1. Default: "Shtl" |
| 8 | [V] VTR switch | Function assignment to VTR. Default: "VTR" |
| 9 | [A2] AUX2 switch | Function assignment to AUX2. Default: "Fr1P" |
| 10 | [R] RET switch | Function assignment to RET. Default: "RET" |
| 11 | [I-Tq] Iris torque | Used to set iris torque. |
| 12 | [Z.M.] Zoom curve mode | Used to change the characteristics of the zoom speed variation. |
| 13 | [AM] Iris A/M switch | Iris A/M switch operation mode setting. |
| 14 | Seesaw switch | Function (zoom or iris) assignment to the seesaw switch. Default: "Zoom" |

Full Mode Menu Screen

The icon of the active screen is highlighted.



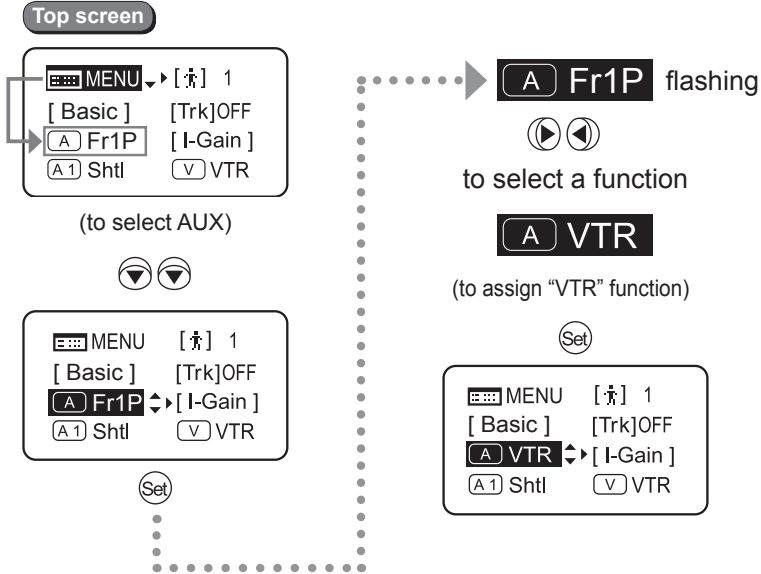
The icons of the inactive screens are not highlighted.



Operation Example

Assigning a function to VTR, RET, and AUX switch respectively.

This guide describes how to assign the VTR function to the AUX switch.



Icons	[V]	[R]	[A]	[A 1]	[A 2]	
Switches	VTR	RET	AUX	AUX1	AUX2	
Functions	Fr1P	●	●	●	●	●
	Fr2P	●	●	●	●	●
	Fr1F	●	●	●	●	●
	Fr2F	●	●	●	●	●
	Sped	●	●	●	●	●
	Shtl	●	●	●	●	●
	NON			●	●	●
	VTR	●	●	●	●	●
RET	●	●	●	●	●	

Default

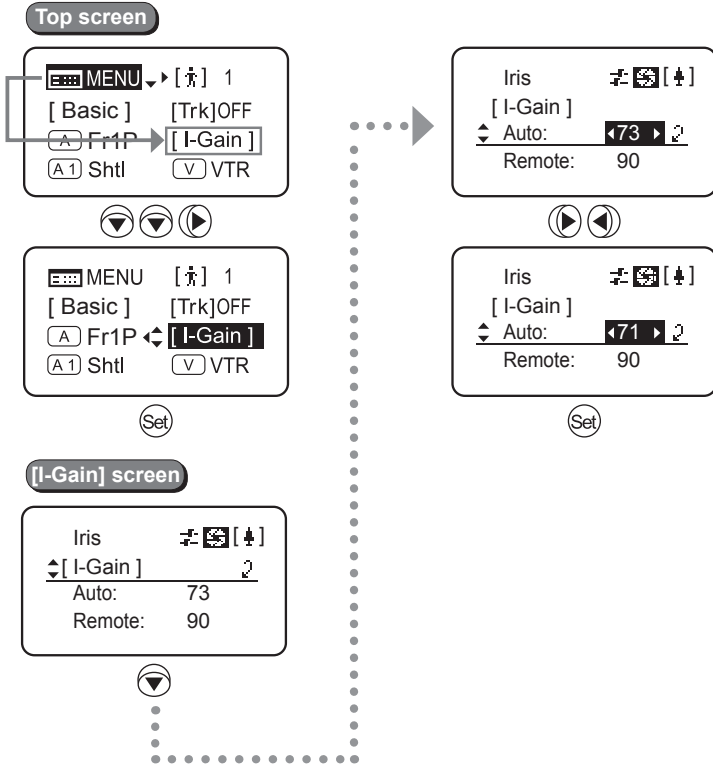
The AUX1 and AUX2 switches are switches on the zoom demand.

For details on how to assign a function to each switch, refer to the "Information Display Manual".

Operation Example

Adjusting the iris gain.

Any adjustment made to the iris gain setting will be applied to all users, including those not currently selected.



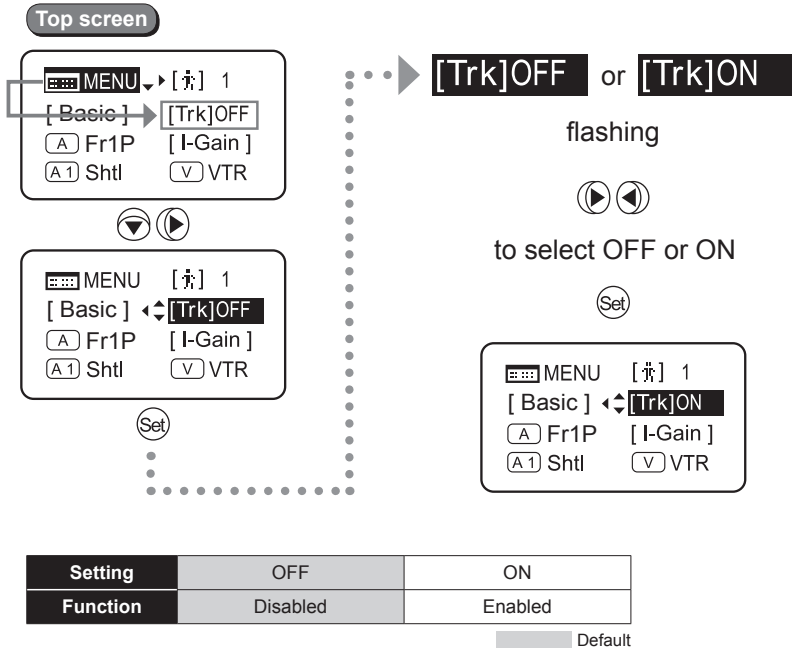
Setting range	01	to	99
Function	Minimum gain	to	Maximum gain

Default
 Auto: Value set with trimmer
 Remote: 90

Zoom Track Function

The zoom control range (zoom track) can be limited to preferred zoom range.

Enable/Disable the zoom track function



Setting the zoom track positions

- 1 Zoom to any preferred zoom position and keep that position.
- 2 Press the Instant auto-iris switch while pressing down the MEMO switch. If the zoom position is at the Telephoto side, the position is memorized as the zoom track Telephoto end. If position is at the Wide side, it is memorized as the Wide end.
- 3 Repeat steps 1 and 2 to set both Telephoto and Wide ends. It is possible to set only one end. If the zoom track position is set repeatedly at the same end, the last set position will be memorized.

Shuttle Shot

“Shuttle” between the current zoom position and the preset zoom position at the fastest speed.

To use this function, the shuttle shot function “Shtl” should have been assigned to VTR, RET, or AUX switch in advance (P7).

Setting a specific shuttle memory position

- 1 Zoom in a position that you want to memorize and keep that position.
- 2 Press the “Shtl” switch while pressing down the MEMO switch.
The memorized position will be maintained even after the power is turned off.

Current zoom position



Press and hold the “Shtl” switch.



Fastest speed

Shuttle memory position



Release the “Shtl” switch.



Fastest speed

Previous zoom position



Speed Preset

Memorized zoom speed and direction can be reproduced any time.

To use this function, the speed preset function “Sped” should have been assigned to VTR, RET, or AUX switch in advance (P7).

Setting a specific zoom speed and direction

Operate the zoom seesaw switch to zoom in the preferred direction (toward telephoto or wide end) at desired speed. Press the MEMO switch while zooming in to memorize the direction and speed.

The memorized zoom speed will be applied to the framing preset function as well.

When the “Sped” switch is pressed, the lens will start zooming in the memorized direction (toward telephoto or wide end) at the memorized speed and stop at the zoom end.

Framing Preset [Zoom]

Memorized view angle and zoom speed can be reproduced any time.

Setting a specific framing position

- 1 Zoom in a position you want to memorize and keep that position.
- 2 Press the “Fr1P” switch while pressing down the MEMO switch.
The memorized position will be maintained even after the power is turned off.

Zoom speed to the memorized framing position can be set either to the fastest speed or the one memorized by Speed Preset. Refer to the “Information Display Manual” for details.

Moving to the memorized framing position

When the “Fr1P” switch is pressed, the lens will start zooming in and stop at the memorized framing position.



製品情報はこちら
For Products Information
可由此获悉产品信息

JAPAN

<http://canon.jp/>



USA

<http://www.usa.canon.com/cusa/home>

EUROPE

<http://www.canon-europe.com/>

CHINA

<http://www.canon.com.cn/>

イラストはHJ18exです。ほかのモデルでは形状が一部異なります。
The pictures show the HJ18ex; shapes of other models differ from them.
插图中列举了HJ18ex, 其他机型与此形状有所不同。