

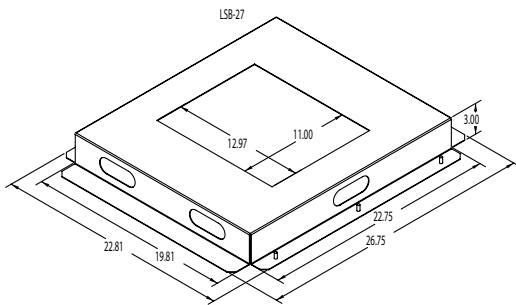


### features . . . . .

- **Description:** Designed to mount inside a rack frame to provide a floor positioned flush to bottom rack space. Often specified to provide extra support for heavy equipment that is mounted in the lowest rack position.
- **Overall Height:** 3.00" [76]
- **Overall Depth:** 26.75" [679]
- **Overall Width:** 22.81" [579]
- **Construction:** Rugged 16-gauge, fully-welded, steel construction. Black wrinkle powder epoxy finish
- **Cable Management:** Easy cable access through center opening. Cable pass-through openings on back match up to openings on matching LER and LGR Series racks. Cable pass-through openings on sides match up to openings on matching LGR Series racks
- **Hardware:** Includes hardware for bolt-on installation
- **Origin:** Made in the USA
- For use with LER, LFR and LGR Series racks. *Do not use with seismic-certified racks.*
- Does not increase rack height.

### a&e specifications . . . . .

The stationary base for the rack shall be Lowell Model No. LSB-27. The stationary base shall mount inside the rack frame to add a floor positioned flush to bottom rack space and shall not increase rack height. Construction shall be 16-gauge welded steel with a black wrinkle powder epoxy finish. The base shall facilitate cable access through a center and side openings. 3.00"H x 26.75"D x 22.81"W overall dimensions



### Model Summary

Model No.	Description	Overall Width	Overall Depth	Overall Height	Center Opening	Weight
LSB-22	Stationary Base for 22"D rack	22.81 in / 579 mm	20.75 in / 527 mm	3 in / 76 mm	12.97 x 5 in / 329 x 127 mm	20 lbs / 9 kg
▶ LSB-27	Stationary Base for 27"D rack	22.81 in / 579 mm	26.75 in / 679 mm	3 in / 76 mm	12.97 x 11 in / 329 x 279 mm	24 lbs / 11 kg
LSB-32	Stationary Base for 32"D rack	22.81 in / 579 mm	31.75 in / 806 mm	3 in / 76 mm	12.97 x 16 in / 329 x 406 mm	27 lbs / 12 kg
LSB-36	Stationary Base for 36"D rack	22.81 in / 579 mm	35.75 in / 908 mm	3 in / 76 mm	12.97 x 20 in / 329 x 508 mm	34 lbs / 15 kg
LSB-42	Stationary Base for 42"D rack	22.81 in / 579 mm	41.75 in / 1060 mm	3 in / 76 mm	12.97 x 26 in / 329 x 660 mm	37 lbs / 17 kg

One rack unit (RU or U) = 1.75 inches or 44.45 mm.

