

# FT2A-CBLR-1T Series

## FlipTop™ One-Touch Cable Retractors

- *Connectivity for FT2 ELEC Series FlipTop cable management systems*
- *Electrically clutched, spring powered retraction mechanism*
- *Cable pulls out smoothly up to 5 ft (1.5 m) and retracts gently with the press of a button*
- *Control system integration enables remote retraction control*
- *Flexible, low friction flat cable construction*
- *Soft-feel sculpted connectors for easy handling*
- *Backlit international symbol icon identifies the connector type*
- *Active models support 4K60 4:4:4 digital AV signals*
- *Support for HDR and HDCP 2.2*
- *4K models available to convert from DisplayPort™ to HDMI® connectivity, Mini DisplayPort to DisplayPort, Mini DisplayPort to HDMI, and USB-C® to HDMI connectivity*
- *Power module available for USB-C® to USB-C (60 W)*
- *Passive models available for HDMI, VGA, stereo audio, LAN, and USB 2.0*
- *Requires two module slots at either end of a FlipTop™ module row*
- *Optional mid-row installation using additional brackets*
- *Retractor housing snaps onto the side of the FlipTop chassis beneath the table*
- *Requires only 11-5/8 in. (295 mm) vertical clearance below the table top surface*
- *Provides a 2.75 or 4.75 ft (0.8 or 1.4 m) long tail below the table<sup>1</sup>*

Crestron® One-Touch Cable Retractors (FT2A-CBLR-1T Series) offer a refined cable management solution for use with [Crestron FT2 ELEC Series FlipTops™](#). Each cable pulls out smoothly up to 5 ft (1.5 m), and retracts gently back into the FlipTop™ with the touch of a button. The button on each module is backlit for visibility in a darkened room and is labeled with an international symbol icon indicating the connection type.

Automate one-touch retractors by connecting the retractors in a FlipTop to a control system and a switch or to a DMPS via a single Cresnet cable. Custom programming can trigger all the cables to retract after five minutes of no video being detected.

The retractor mechanism allows for a compact design that is ideal for applications where vertical clearance is limited beneath the table.

Each One-Touch Cable Retractor is composed of a retractor enclosure and pass-through module. The enclosure attaches to the FlipTop chassis beneath the table, while the module installs in the top of the FlipTop. A cable tail is provided below the table for connection to a DM® transmitter or similar interface device.<sup>1</sup>

The pass-through module occupies two module slots within the FlipTop. The retractor enclosure slides onto the side of the FlipTop chassis beneath the table and locks into place with a

snap. Retractors normally install at the left and right ends of a module row but may also be installed in the middle of a row by adding an [FT2A-CBLR-BRKT series](#) mid-row adapter bracket (one per row, each sold separately).

The following one-touch, retractable HDMI® cable is offered:

FT2A-CBLR-1T-HD: 10.2 Gbps HDMI cable with a male HDMI Type A connector at both ends.

The following 4K compatible cables offered feature a minimum TMDs bandwidth of 18 Gbps to support ultra high-definition digital video signals up to 4K60 4:4:4. Active circuitry is employed for optimal performance.

- FT2A-CBLR-1T-4K-DP: DisplayPort™ cable with a male DisplayPort connector at both ends.
- FT2A-CBLR-1T-4K-DP-HD: Cable with a male DisplayPort connector at the source end above the table and a male HDMI Type A connector at the sink end below the table; converts DisplayPort to HDMI to allow connection of a DisplayPort source to an HDMI input.<sup>1</sup>
- FT2A-CBLR-1T-4K-MDP-DP: Cable with a male Mini DisplayPort connector at the source end above the table and a regular-sized male DisplayPort connector at the sink end below the table; converts Mini DisplayPort to standard DisplayPort to allow connection of a Mini DisplayPort source to a DisplayPort input.
- FT2A-CBLR-1T-4K-MDP-HD: Cable with a male Mini DisplayPort connector at the source end above the table and a male HDMI Type A connector at the sink end below the table; converts Mini DisplayPort to HDMI to allow connection of a Mini DisplayPort source to an HDMI input.<sup>1</sup>
- FT2A-CBLR-1T-4K-USBC-HD: Cable with a male USB Type-C® connector at the source end above the table and a male HDMI Type A connector at the sink end below the table; converts USB-C to HDMI to allow connection of a USB-C source to an HDMI input.<sup>1</sup>

A USB-C power module is available to support charging devices:

FT2A-CBLR-1T-USBC-PWR: USB Type-C cable with a male connector at the source end above the table and a male USB Type-C connector at the sink end connected to a 60 W USB-C adapter below the table (not included).

# FT2A-CBLR-1T Series

## FlipTop™ One-Touch Cable Retractors

Additional models are available to support analog and data signals. These cable retractors are passive.

- FT2A-CBLR-1T-VGA: VGA cable with a male HD15 connector at both ends; supports resolutions up to Full HD 1080p.
- FT2A-CBLR-1T-AUDIO: Unbalanced stereo audio cable with a male 3.5 mm mini-TRS connector at both ends.
- FT2A-CBLR-1T-CAT6: CAT6 LAN cable with a male RJ-45 connector at both ends.
- FT2A-CBLR-1T-USB: USB 2.0 cable USB Type-A male to USB Type-B male under the table to support connection to a codec or extender.

**NOTE:** FT2A-CBLR-1T series retractors are only compatible with FT2 ELEC series FlipTops. They are not compatible with FT2 MECH series FlipTops. See also the FT2A-CBLR-GR Series Gravity Cable Retractors for a lower cost alternative.

### Specifications

#### Cable

<b>Pull-Out Length</b>	Up to 5 ft (1.5 m) above table
<b>Back End Tail Length</b>	4.75 ft (1.4 m) beneath table except for models FT2A-CBLR-1T-4K-DP-HD, FT2A-CBLR-1T-4K-MDP-HD, FT2A-CBLR-1T-4K-USBC-HD, and FT2A-CBLR-1T-USBC-PWR, which are 2.75 ft (0.8 m)

#### Button & Indicator

(1) Pushbutton with blue LED backlit symbol icon indicating the cable connector type, button actuates retraction, LED illuminates constantly or flashes if cable cannot be retracted due to interfering tension or obstruction

#### Communications

<b>Cresnet®</b>	Allows connection to a control system via the Cresnet port on the FlipTop, supports remote actuation of the retraction function
-----------------	---------------------------------------------------------------------------------------------------------------------------------

#### Environmental

<b>Temperature</b>	32° to 113° F (0° to 45° C)
<b>Humidity</b>	10% to 95% RH (non-condensing)

### Construction

<b>Pass-Through Module</b>	Precision fit plastic drop-in module, 2-slot, black
<b>Retractor Enclosure</b>	Plastic, black
<b>End-Row Mounting</b>	<ul style="list-style-type: none"><li>• Module requires two consecutive module slots at the left or right end of any module row within the FlipTop chassis</li><li>• Enclosure attaches beneath the table to mounting slots on the left or right side of the FlipTop chassis;</li><li>• Requires 11.6 in. (295 mm) minimum vertical clearance beneath the top surface of the table;</li><li>• Projects 8.4 in. (213 mm) from the side of the FlipTop chassis beneath the table, and requires an additional 0.2 in. (5 mm) for installation</li></ul>
<b>Mid-Row Mounting</b>	<ul style="list-style-type: none"><li>• Requires an <a href="#">FT2A-CBLR-BRKT Series</a> mid-row adapter bracket (one per row, each sold separately);</li><li>• Module requires two consecutive module spaces in the middle of any module row within the FlipTop chassis (refer to the relevant FT2A-CBLR-BRKT model spec sheet for additional details);</li><li>• Enclosure attaches beneath the table to mounting slots on the front or rear of the FlipTop chassis (via the bracket);</li><li>• Requires 11.6 in. (295 mm) minimum vertical clearance beneath the top surface of the table;</li><li>• Projects 8.8 in. (223 mm) from the front or rear of the FlipTop chassis beneath the table, and requires an additional 0.2 in. (5 mm) for installation</li></ul>

### Dimensions

<b>Height</b>	8.95 in. (228 mm)
<b>Width</b>	10.30 in. (262 mm)
<b>Depth</b>	2.24 in. (57 mm)

The dimensions shown are for the retractor enclosure only.

### Compliance

CE

# FT2A-CBLR-1T Series

## FlipTop™ One-Touch Cable Retractors

### Models

#### FT2A-CBLR-1T-HD

One-Touch Cable Retractor for FT2 ELEC Series, HDMI® to HDMI, 18 Gbps

#### FT2A-CBLR-1T-4K-DP

One-Touch Cable Retractor for FT2 ELEC Series, DisplayPort™ to DisplayPort, 18 Gbps

#### FT2A-CBLR-1T-4K-DP-HD

One-Touch Cable Retractor for FT2 ELEC Series, DisplayPort™ to HDMI®, 18 Gbps

#### FT2A-CBLR-1T-4K-MDP-DP

One-Touch Cable Retractor for FT2 ELEC Series, Mini DisplayPort™ to DisplayPort, 18 Gbps

#### FT2A-CBLR-1T-4K-MDP-HD

One-Touch Cable Retractor for FT2 ELEC Series, Mini DisplayPort™ to HDMI®, 18 Gbps

#### FT2A-CBLR-1T-4K-USBC-HD

One-Touch Cable Retractor for FT2 ELEC Series, USB-C® to HDMI®, 18 Gbps

#### FT2A-CBLR-1T-USBC-PWR

One-Touch Cable Retractor for FT2 ELEC Series, USB-C® to USB-C, 60 W

#### FT2A-CBLR-1T-VGA

One-Touch Cable Retractor for FT2 ELEC Series, HD15 male to HD15 male, VGA, 1080p

#### FT2A-CBLR-1T-AUDIO

One-Touch Cable Retractor for FT2 ELEC Series, 3.5mm Mini-TRS Plug to 3.5 mm Mini-TRS Plug, Stereo Audio

#### FT2A-CBLR-1T-CAT6

One-Touch Cable Retractor for FT2 ELEC Series, RJ-45 to RJ-45, CAT6

#### FT2A-CBLR-1T-USB

One-Touch Cable Retractor for FT2 ELEC Series, USB-A to USB-B, USB 2.0

### Available Accessories

#### FT2A-UTK-CLOAK

Under-Table Cloak for FT2 Series Gravity Cable Retractors

#### FT2A-UTK-CLOAK-1T

Under-Table Cloak for FT2 Series One-Touch Cable Retractors

#### FT2A-UTK-CLOAK-WIDE

Under-Table Cloak for FT2-1400 Gravity Cable Retractors

#### FT2A-UTK-CLOAK-WIDE-1T

Under-Table Cloak for FT2-1400 One-Touch Cable Retractors

#### FT2A-UTK-PWS

Power Supply for FT2 ELEC Series

#### FT2A-UTK-SHELF

Under-Table Utility Shelf for FT2 Series

#### Notes:

1. The cable tail beneath the table is 4 ft (1.2 m) long on all models except for FT2A-CBLR-1T-4K-DP-HD, FT2A-CBLR-1T-4K-MDP-HD, FT2A-CBLR-1T-4K-USBC-HD, and FT2A-CBLR-1T-USBC-PWR which are 2 ft (0.6 m) long.

This product may be purchased from select authorized Crestron dealers and distributors. To find a dealer or distributor, please contact the Crestron sales representative for your area. A list of sales representatives is available online at <https://www.crestron.com/How-To-Buy/Find-a-Representative> or by calling 855-263-8754.

The specific patents that cover Crestron products are listed online at [patents.crestron.com](https://www.crestron.com/patents.crestron.com).

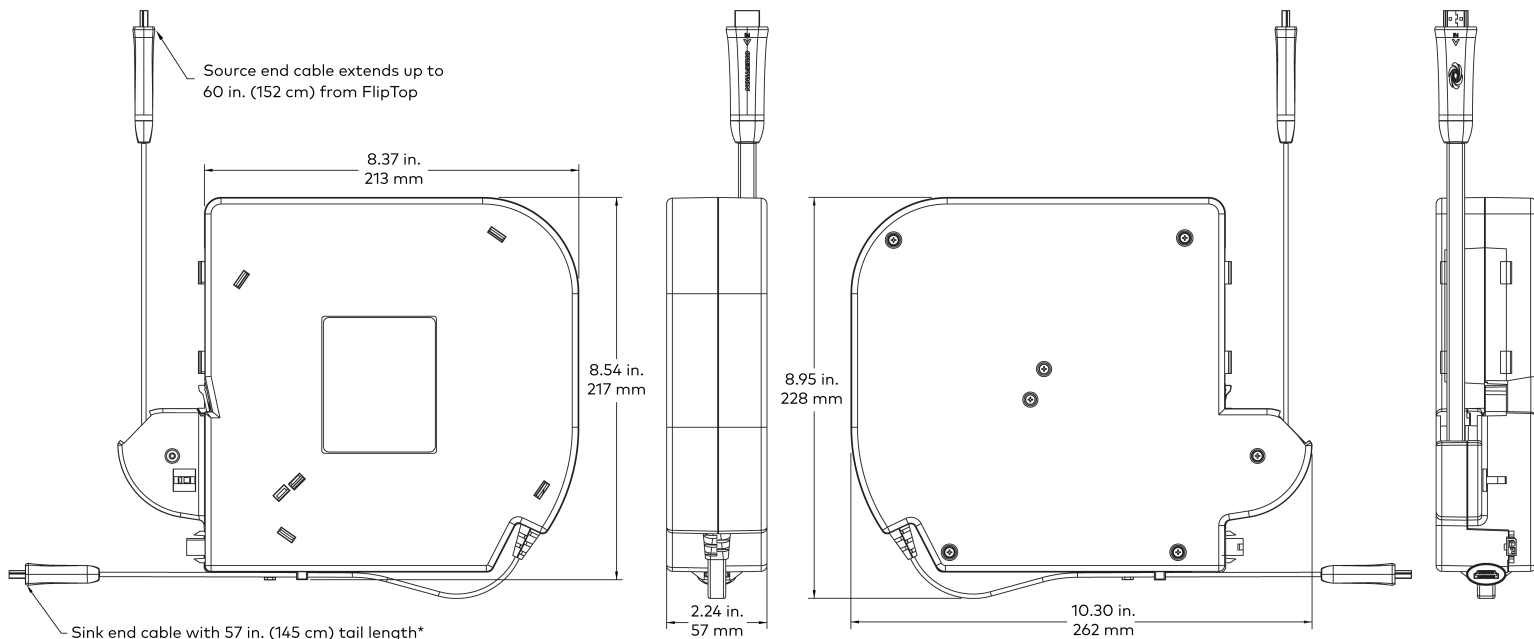
Certain Crestron products contain open source software. For specific information, please visit [www.crestron.com/opensource](https://www.crestron.com/opensource). Crestron, the Crestron logo, Cresnet, DM, Flip Top, and FlipTops are either trademarks or registered trademarks of Crestron Electronics, Inc. in the United States and/or other countries. HDMI is either a trademark or registered trademark of HDMI Licensing LLC in the United States and/or other countries. USB-C and USB Type-C are either trademarks or registered trademarks of USB Implementers Forum, Inc. in the United States and/or other countries.

DisplayPort is either trademarks or registered trademarks of Video Electronics Standards Association in the United States and/or other countries. Other trademarks, registered trademarks, and trade names may be used in this document to refer to either the entities claiming the marks and names or their products. Crestron disclaims any proprietary interest in the marks and names of others. Crestron is not responsible for errors in typography or photography. Specifications are subject to change without notice.

©2020 Crestron Electronics, Inc.

# FT2A-CBLR-1T Series

## FlipTop™ One-Touch Cable Retractors



\* Models FT2A-CBLR-1T-4K-DP-HD, FT2A-CBLR-1T-4K-MDP-HD, FT2A-CBLR-1T-USBC-PWR, and FT2A-CBLR-1T-4K-USBC-HD are limited to 33 in. (84 cm).

