

USB-C EDITION

# VLOGGER KIT

FILMMAKING KIT FOR MOBILE PHONES



MOBILE  
FILMMAKING



PROFESSIONAL  
QUALITY



DIRECTIONAL  
SOUND PICKUP



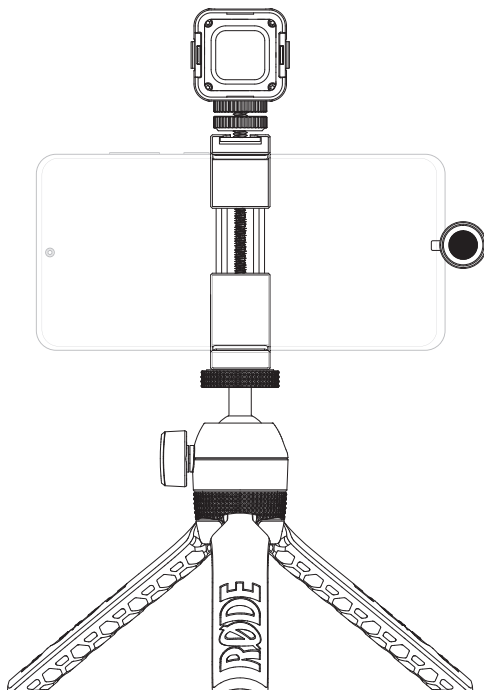
The USB-C Vlogger Kit contains everything you need to get professional results when filming using your USB-C equipped mobile phone. The VideoMic Me-C microphone connects directly to your device, delivering crisp, clear, directional sound for any application. The SmartGrip secures your device firmly in place for stable recording and connects seamlessly to the Tripod 2 for either handheld or tabletop use, while the MicroLED ensures all your shots are perfectly lit.

- Complete USB-C mobile filmmaking kit
- Directional sound pickup to reduce background noise
- MicroLED light offers over four hours operation on a single charge
- Three-position tripod for handheld or static use
- Gimbal tripod head for accurate camera positioning
- All-metal mount with rubberised grips for phones 65mm to 85mm wide



## IN THE BOX

- VideoMic Me-C Microphone
- Rubber Clip
- WS9 Windshield
- SmartGrip
- Tripod 2
- MicroLED On-camera Light
- Clip-on Diffuser
- 8 Coloured Filters
- USB-C Cable



# VideoMic™ Me-C

DIRECTIONAL MICROPHONE FOR USB-C MOBILE DEVICES



DESIGNED FOR  
MOBILE DEVICES



HEADPHONE  
OUTPUT JACK



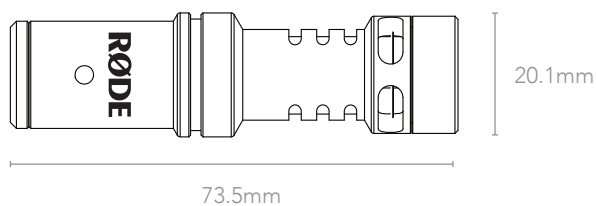
NO BATTERY  
REQUIRED



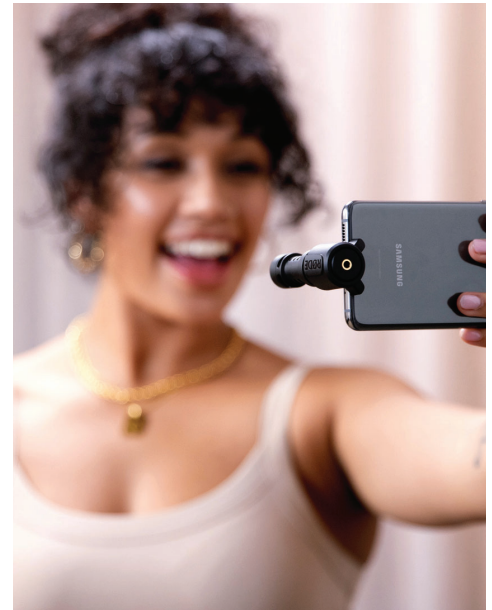
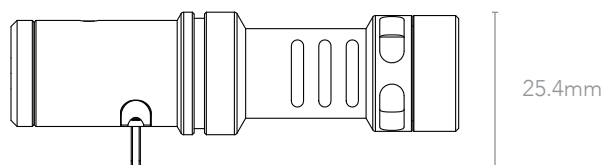
The VideoMic Me-C is a high-quality microphone for your USB-C mobile device, designed to give you incredible audio when shooting video. The microphone's directionality reduces surrounding noises to focus on exactly what you're filming, ensuring your videos sound clear and intelligible. The 3.5mm jack provides a headphone output for audio monitoring and playback. The VideoMic Me-C comes with a mic clip to ensure the mic is secure and a furry windshield suitable for filming in outdoor and adverse weather conditions. The VideoMic Me-C is compatible with most mobile devices that have a USB-C input and are running the latest operating system (Android OS 10 or higher).

- Designed for devices with USB-C input
- 3.5mm headphone output jack
- Deluxe furry windshield included (WS9)
- Direct monitoring
- Works seamlessly with the RØDE Reporter App, Camera, and other recording apps

Front view



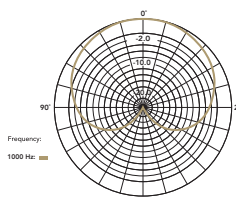
Side view



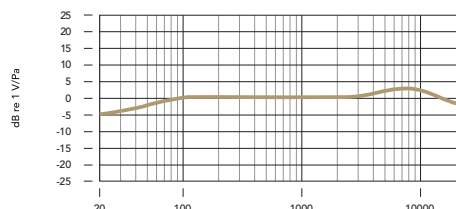
## ACOUSTIC & ELECTRICAL SPECIFICATIONS

Acoustic Principle:	Pressure gradient electret condenser
Polar Pattern:	Cardioid
Frequency Range:	20Hz - 20kHz
Signal to Noise Ratio:	74.5 dB
Equivalent Noise:	19.5 dBA SPL
Maximum SPL:	115 dB SPL (1 kHz @ 1m)
Power Requirement:	Bus powered USB device 5VDC-100mA
Analog Outputs:	3.5mm headphone
Device Connectivity:	USB Type-C
Simultaneous I/O:	1 in, 2 out
Bit Depth:	24-bit
Sample Rates:	44.1 and 48 kHz
Direct Monitor:	Yes
Bus Powered:	Yes
Android Requirements:	Android OS 10 or higher
Material:	Aluminium
Colour:	Black
Weight (grams):	27
Dimensions: (millimetres)	Length: 73.5 Height: 25.4 Depth: 20.1

POLAR PATTERN



FREQUENCY RESPONSE



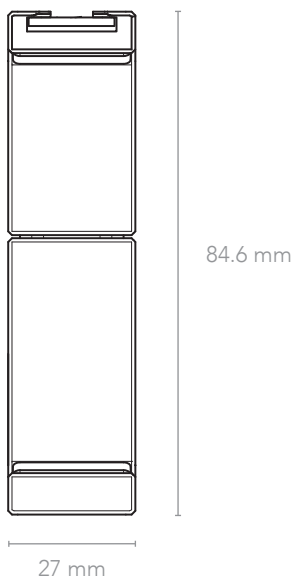
# SMARTGRIP

SMARTPHONE TRIPOD ADAPTOR

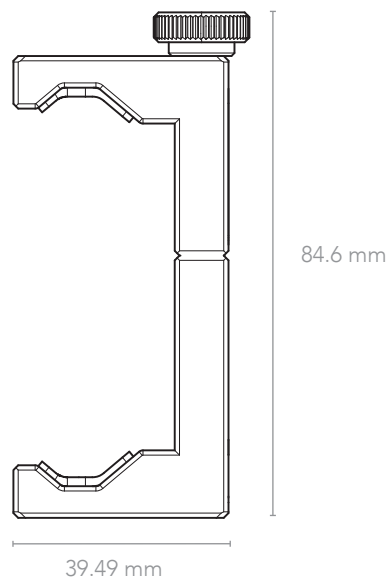


The SmartGrip is a high-quality solution for mounting a smartphone on a tripod. It features a cold shoe mount for easy attachment of RØDE VideoMics and other accessories. Three 1/4" thread attachment points allow for easy mounting on tripods and grips in a range of orientations. The SmartGrip features rugged metal construction with rubberised grips and is suitable for mounting phones from 65mm to 85mm in width.

Front view



Side view



## MECHANICAL SPECIFICATIONS

Material:	Aluminium/Steel
Colour:	Black
Weight (grams):	89
Dimensions (millimetres)	Length: 27 Width: 39.49 Height: 84.6
Compatible RØDE Products:	<ul style="list-style-type: none"><li>• Tripod</li><li>• DCS-1</li></ul>
Support Weight (grams):	Up to 226

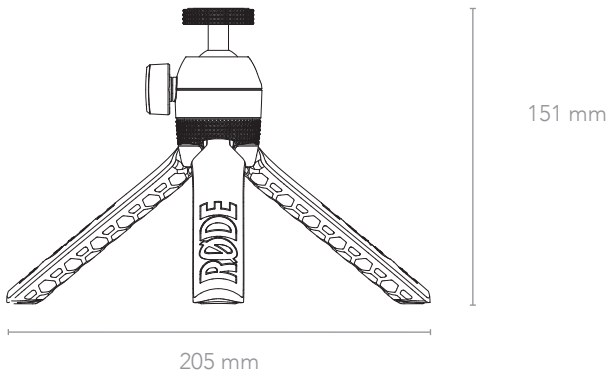
# TRIPOD 2

CAMERA AND ACCESSORY MOUNT

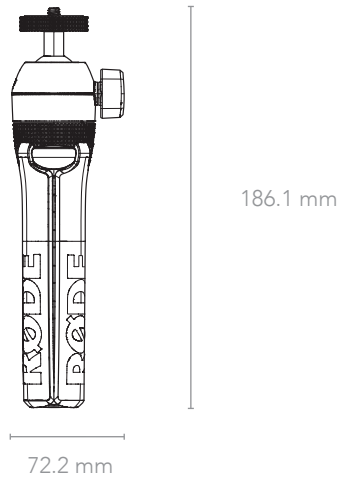


The Tripod 2 is a sturdy three-position tripod for mounting cameras, microphones and other accessories. In the closed position, it is perfect for handheld use. The tripod legs can also be opened out to a mid or wide setting for optimal positioning and stability. The Tripod 2 has a 1/4" thread for attaching cameras and camera accessories.

Fully extended view



Closed view



## MECHANICAL SPECIFICATIONS

Material:	Injection-moulded polymer
Colour:	Black
Weight (grams):	180
Dimension (millimetres)	Closed: Height: 186.1 Width: 72.2mm  Fully extended: Height: 151 Width: 205
Compatible RØDE Products:	<ul style="list-style-type: none"><li>• SmartGrip</li></ul>
Support Weight (kilograms):	Up to 2 (when the head is at a 90 degree angle and the Tripod 2 is fully extended)

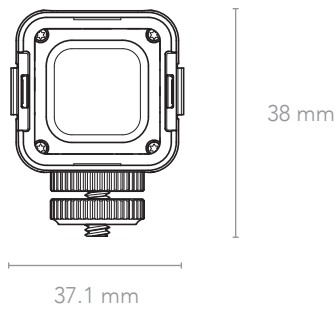
# MicroLED

COMPACT ON-CAMERA LIGHT

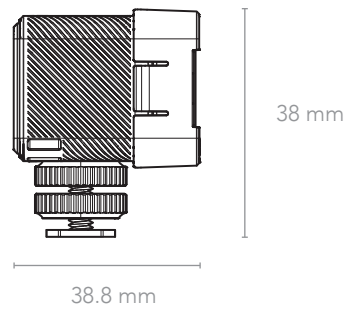


The MicroLED is a compact rechargeable on-camera light. It is ideal for vlogging, newsgathering, mobile filmmaking and documentary production. The MicroLED features four adjustable brightness settings, and a clip-on diffuser with eight coloured filters. Power is supplied via the USB-C charging port, which both charges the internal battery and can also operate the light. Run time over four hours at low brightness.

Front view



Side view



## MECHANICAL & ELECTRICAL SPECIFICATIONS

Connectivity: USB Type-C

Battery Usage Time (minutes):

Maximum Brightness: Up to 52  
High Brightness: Up to 75  
Medium Brightness: Up to 105  
Low Brightness: Up to 255

Lumens (LUX)

Maximum Brightness 300  
High Brightness 230  
Medium Brightness 160  
Low Brightness 60

Power Requirements: 5V = 2A

Weight (grams): 58.7

Dimensions (millimetres): Length: 38.8  
Width: 37.1  
Height: 38

Compatible RØDE Products: 

- SmartGrip
- DCS-1