

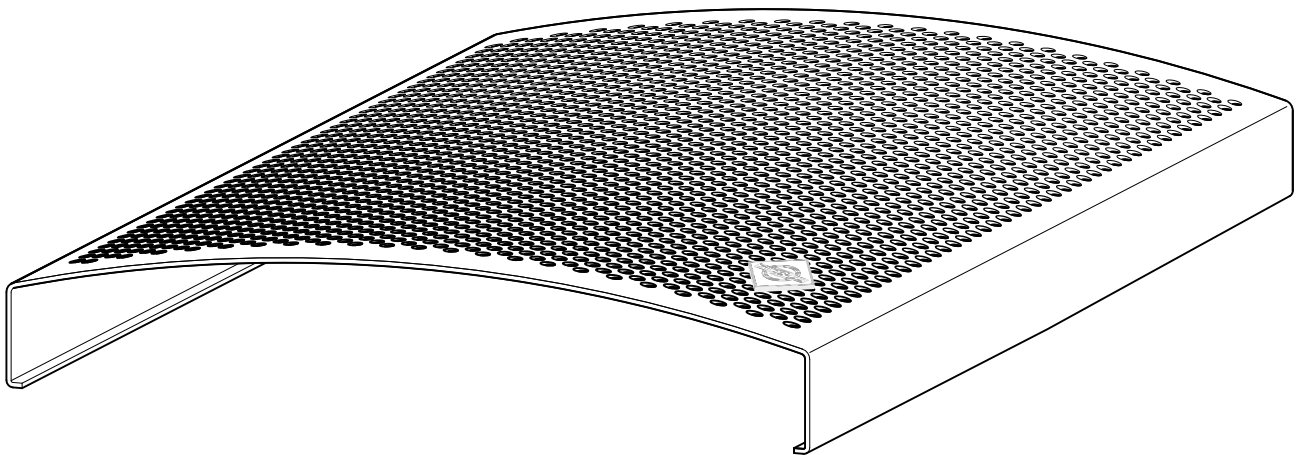


▶▶ NEUMANN.BERLIN

## ▶ GKH 310 METAL GRILLE

---

MOUNTING INSTRUCTIONS







## Contents

<b>Important safety instructions</b> .....	2
<b>The GKH 310 metal grille</b> .....	2
<b>Package contents</b> .....	2
<b>Product overview</b> .....	3
<b>Mounting the GKH 310</b> .....	3
Preparing the GKH 310 .....	3
Attaching the GKH 310.....	4
Attaching the Neumann logo.....	4
<b>Cleaning and maintaining the GKH 310</b> .....	5
<b>Specifications</b> .....	5
<b>Manufacturer Declarations</b> .....	5



## Important safety instructions

1. Read this mounting manual and the KH 310 operating manual.
2. Keep the mounting manual and the KH 310 operating manual and always include them when passing the product on to third parties.
3. Read and follow all safety instructions and always proceed as described in this mounting manual and in the KH 310 operating manual.

**Intended use** Intended use of the product includes:

- having read this mounting manual, the KH 310 operating manual and especially the chapter “Important safety instructions” in both manuals,
- using the product within the operating conditions and limitations described in this mounting manual.

“Improper use” means using the product other than as described in this mounting manual, or under operating conditions which differ from those described herein.

## The GKH 310 metal grille

Thank you for purchasing a Neumann metal grille. This Neumann accessory is designed to compliment Neumann’s extensive range of monitors.

## Package contents

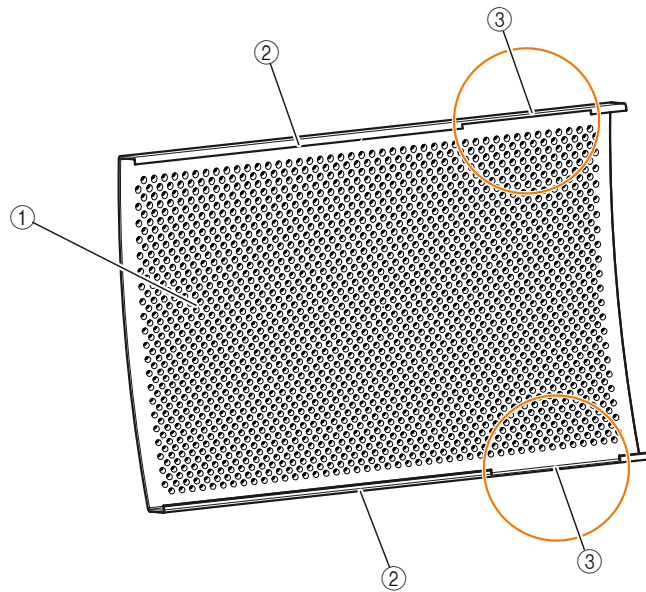
- 1 GKH 310 metal grille
- 1 Mounting manual
- 8 Felt pads (supplied in 2 pieces)
- 1 Neumann logo



The current mounting manual and further information can be downloaded from the “Downloads” area on the product page at [www.neumann.com](http://www.neumann.com).



## Product overview

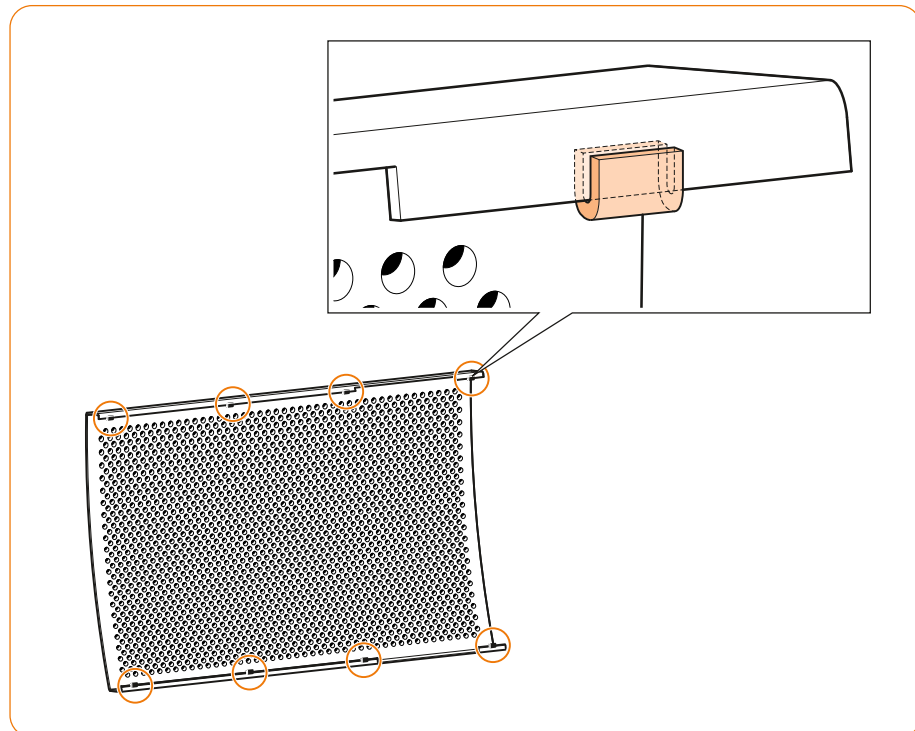


- ① Grille
- ② Rails
- ③ Recesses

## Mounting the GKH 310

### Preparing the GKH 310

- ▶ Split the supplied felt pads into 8 smaller pieces
- ▶ Attach the supplied felt pads as shown.

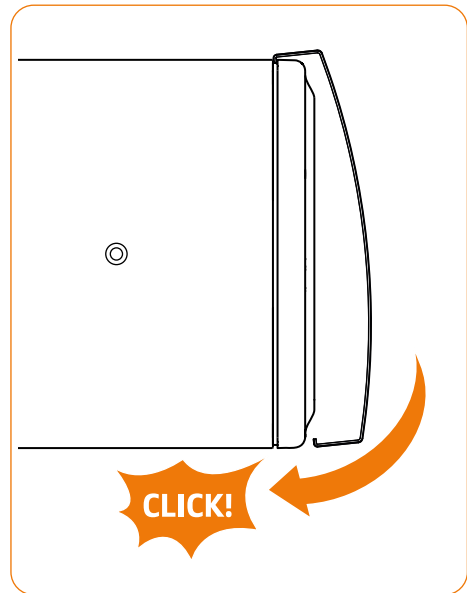
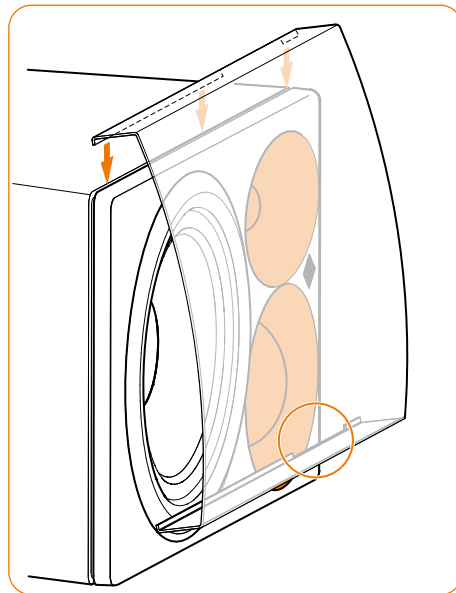




## Attaching the GKH 310

To attach the GKH 310 to the cabinet:

- ▶ Make sure that the felt pads are attached to the GKH 310 as shown on the previous page. If you do not use the felt pads or if they are attached other than shown on the previous page, you risk to scratch the surface of the KH 310.
- ▶ Hook the GKH 310 into the upper groove of the KH 310.
  - The recesses ③ of the GKH 310 are located above the treble driver and below the mid-range driver (see figure).
  - Proceed carefully, avoid scratching the GKH 310 and KH 310 and make sure not to damage the drivers.
- ▶ Tilt the GKH 310 downwards, pull it over the lower edge and hook it into the lower groove of the KH 310 (see figure).



### CAUTION

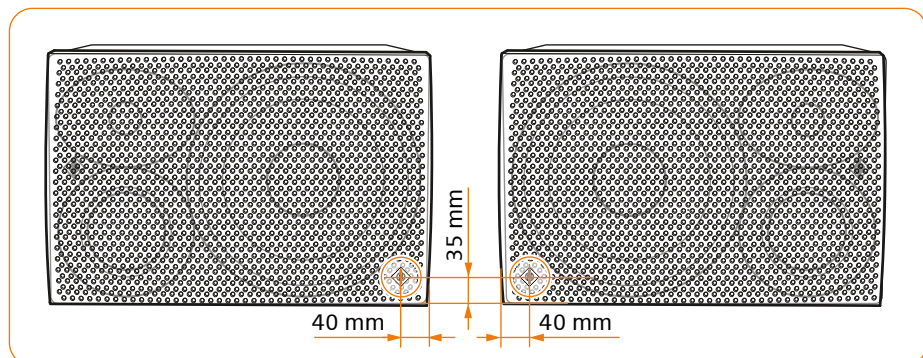
Material damage and/or damage to the GKH 310 due to dropping of the product!

If you attach the GKH 310 to a vertically mounted KH 310, it might slip out of the groove and drop down. This can cause material damage and/or damage to the GKH 310.

- ▶ Do not attach the GKH 310 to upright mounted loudspeakers.

## Attaching the Neumann logo

- ▶ Attach the Neumann logo to either the left or right hand side depending on your loudspeaker version (see figure).





## Cleaning and maintaining the GKH 310

### CAUTION

Damage to the KH 310 studio monitor caused by liquids!

Liquids entering the KH 310 can cause a short-circuit in the electronics and damage or even destroy the product.

▶ Keep all liquids away from the GKH 310 and the KH 310!

- ▶ Before cleaning the GKH 310, disconnect the KH 310 studio monitor from the mains power supply.
- ▶ Use a soft, dry, and lint-free cloth to clean the GKH 310. Do not use any solvents or cleaning agents.

## Specifications

### Product properties

Dimensions (H x W x D)	256 x 381 x 47,61 mm (10 <sup>1</sup> / <sub>8</sub> " x 15" x 1 <sup>7</sup> / <sub>8</sub> " )
Weight	890 g (2 lbs)
Color	steel, black (RAL 9005)

## Manufacturer Declarations

### Guarantee

For the current terms and conditions of the product guarantee, please visit [www.neumann.com](http://www.neumann.com).

### Trademarks

Neumann® is a registered trademark of Georg Neumann GmbH.

Other company, product, or service names mentioned in this operating manual may be the trademarks, service marks, or registered trademarks of their respective owners.

