

Canon

BINOCULARS
8 × 25 IS



IMAGE STABILIZER

ENG
Instructions

Canon

8×25 IS

IMAGE STABILIZER

Thank you for purchasing a Canon product.

The Canon 8×25 IS is a pair of prism binoculars equipped with a tilt-system Image Stabilizer.

Before using the binoculars, read this instruction booklet to familiarize yourself with the proper operation.

Features

- Compact 8× binoculars for everyday use such as bird-watching, sports, theater, etc.
- Image Stabilizer can be operated by either the left or right finger.
- Ergonomic design for easy operation and portability.

Symbols



Warning to prevent malfunction or damage to the binoculars.



Supplementary hints for using the binoculars.

Accessories

The binoculars come with the following accessories:

Case	1
Strap	1
Eyepiece lens caps.....	2
CR123A lithium battery.....	1

Cautionary Notes

For the Binoculars

- (1) Never look at the sun or a bright light with the binoculars. Doing so can cause loss of vision.
- (2) If the binoculars are taken from a cold environment to a warm one, condensation may develop on the surface and internal parts. To prevent condensation, first put the binoculars into an airtight plastic bag before taking it to a warm environment. Let it gradually adjust to the warmer temperature, then take out the binoculars. Do the same when taking the binoculars from a warm environment to a cold one.
- (3) Binoculars are precision instruments. Do not drop them or subject them to shock. Never attempt to disassemble them.
- (4) The binoculars are not waterproof. Avoid exposing the binoculars to rain or water spray.
- (5) High temperatures can cause the binoculars to malfunction. Do not store them close to a heater or in a closed car on a sunny day.
- (6) If the lens is dirty, first use a blower brush to remove dust, etc., from the lens surface. Then use a soft, dry cloth and wipe the lens gently without scratching it. Do not use any organic solvent on the body or lenses.
- (7) Storing the binoculars in a humid location may cause fungus on the lenses. If the binoculars are not to be used for an extended period, clean the lenses and body thoroughly and store in a well-ventilated dry place.
- (8) Avoid storing the binoculars in a laboratory or a location where corrosive chemicals are present. Also avoid storage in a chest of drawers.
- (9) When the binoculars are not to be used for a prolonged period, remove the batteries. If the batteries are left inside, they may leak, causing corrosion, malfunction or fire.

Battery Care

- (1) Never attempt to disassemble batteries. Do not leave batteries in a hot place or throw them into a fire. Do not short circuit the contacts. Doing any of the above is highly dangerous.
- (2) You should never mix different types of batteries. When changing exhausted batteries, replace them all at once.
- (3) Although lithium batteries work well in low temperature, their performance will drop slightly in temperatures below 0 degrees C. In cold locations, keep a spare set of batteries in a warm pocket and alternate them with the batteries in use.
- (4) If the lamp does not light when you press the Image Stabilizer button, the battery power is low. Replace the battery.
- (5) Even if the lamp lights but the Image Stabilizer does not operate properly, the battery power is low. Replace the battery.

For CA, USA only

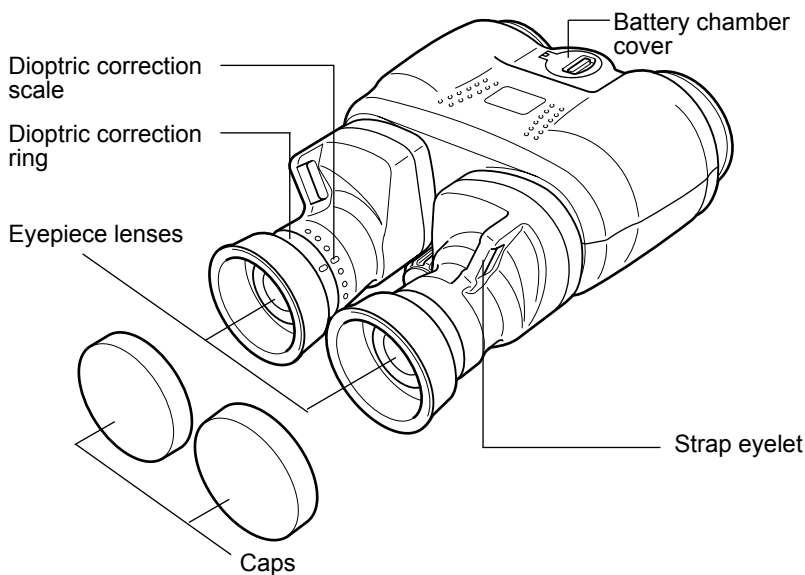
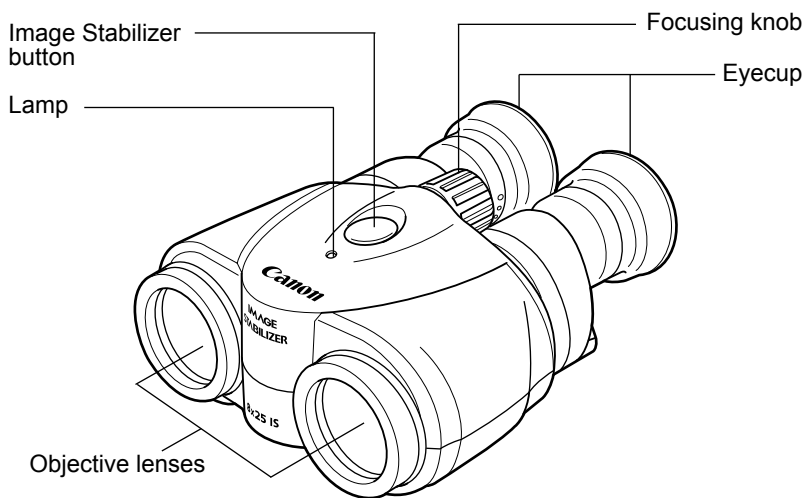
Included lithium battery contains Perchlorate Material - special handling may apply.

See www.dtsc.ca.gov/hazardouswaste/perchlorate/ for details.

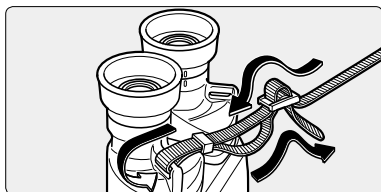


All Canon Binoculars are composed only of "Environment Friendly Lead-Free Optical Glass". The design is derived from Canon's corporate policy to care about our environment.

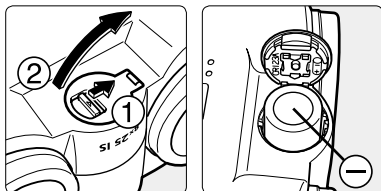
Nomenclature



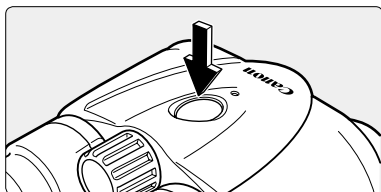
Before You Start



- 1 Attach the strap.**
Make sure that the strap does not loosen at the clasp when you pull it.



- 2 Insert the battery.**
Open the battery chamber cover, and insert the battery in the correct + and – orientation shown in the battery chamber.



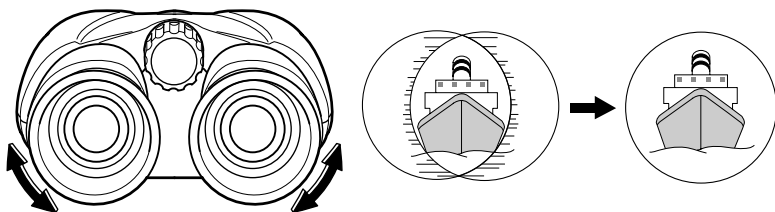
- 3 Check that the lamp lights.**
Press the Image Stabilizer button and check that the lamp lights.

Battery Life (Continuous Use)

	25°C / 77°F	-10°C / 14°F
CR123A lithium battery	6 hours	5 hours

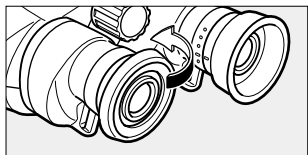
(Based on Canon's testing conditions.)

4 Adjust the width of the binoculars.

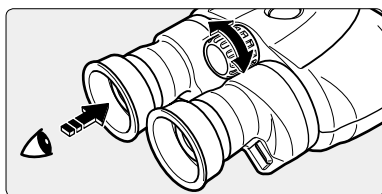


Look through the binoculars and adjust the width until the left and right images converge as shown above.

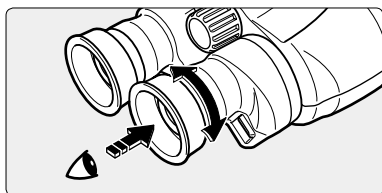
- Doing the above minimizes eye fatigue during viewing.
- When adjusting the width of the binoculars to suit the width between your eyes, look at a distant object.
- If you are wearing eyeglasses, fold back the eye cups.



5 Adjust the diopter.

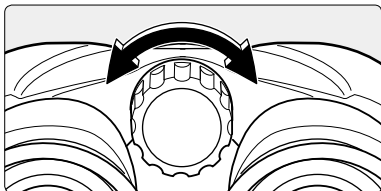


First look through the left eyepiece only and adjust the focusing knob until the object looks sharp.



Then look through the right eyepiece only and look at the same object while turning the dioptic correction ring until the object looks sharp.

6 Adjust the focus.

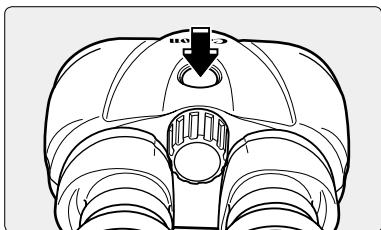


Look through the eyepiece and turn the focusing knob until the object looks sharp.

Using the Image Stabilizer

While you look through the binoculars, the image may be shaking and difficult to see since your hands are holding the binoculars. In such a case, the Image Stabilizer can help steady the image.

The Image Stabilizer operates as long as you hold down the Image Stabilizer button. It stops operating when you let go of the button.



The lamp lights while the Image Stabilizer is on.



- The Image Stabilizer may not be able to compensate for severe shaking.
- Even without batteries loaded, the binoculars can still be used as is.

Troubleshooting

If there is a problem with the binoculars, first refer to the table below to see if you can resolve it. If the problem cannot be resolved, take the binoculars to your nearest Canon Service Center.

Problem	Probable Cause	Corrective Measures
The image is not clear.	The lens is dirty.	Use a blower brush to remove dust, etc., from the lens surface. Then use a soft, dry cloth to wipe the lens gently.
	The width of the binoculars does not suit the width between your eyes.	Adjust the width of the binoculars (see step 4).
	The diopter has not been properly set.	Adjust the diopter (see step 5).
	The binoculars are not properly focused.	Focus the binoculars (see step 6).
The Image Stabilizer does not operate.	There are no batteries loaded.	Load batteries having enough power.
	When the Image Stabilizer button is pressed, the lamp does not light.	If the lamp does not light, it means the batteries are exhausted. Replace the batteries with new ones.
	The battery power is low.	Even if the lamp lights, the Image Stabilizer may not operate if the batteries are exhausted. Replace the batteries with new ones.
When the binoculars are shaken severely while the Image Stabilizer is operating, there is a strange noise.	The batteries are exhausted.	Replace the batteries with new ones.

Major Specifications

	8 × 25 IS
Type	Porro prism binoculars
Magnification	8 ×
Objective lens effective diameter	25 mm
Real field of view	6.6°
Apparent field of view	49.5° (Calculated based on ISO 14132-1:2002)
Field of view at 1000 m / yds	115 m / 377 ft
Exit pupil diameter	3.1 mm
Eye relief	13.5 mm
Focusing distance range	Approx. 3.5 m - infinity
Image Stabilizer system	Optical correction by tilt movements of the corrective optics (No. 3 objective lens)
Correction angle	±1°
Battery check	Lamp
Operating environment	Temperature: -10°C to 45°C / 14°F to 113°F Humidity: 90%
Dimensions (W × H × D)	120 × 137 × 61 mm / 4.7 × 5.4 × 2.4 inch
Weight	Approx. 480 g / 16.9 oz (Excluding batteries)

* Specifications subject to change without notice.

This device complies with Part 15 of the FCC Rules. Operation is subject to the following two conditions: (1) This device may not cause harmful interference, and (2) this device must accept any interference received, including interference that may cause undesired operation.

Do not make any changes or modifications to the equipment unless otherwise specified in the instructions. If such changes or modifications should be made, you could be required to stop operation of the equipment.

This equipment has been tested and found to comply with the limits for a Class B digital device, pursuant to Part 15 of the FCC Rules. These limits are designed to provide reasonable protection against harmful interference in a residential installation. This equipment generates, uses and can radiate radio frequency energy and, if not installed and used in accordance with the instructions, may cause harmful interference to radio communications.

However, there is no guarantee that interference will not occur in a particular installation. If this equipment does cause harmful interference to radio or television reception, which can be determined by turning the equipment off and on, the user is encouraged to try to correct the interference by one or more of the following measures:

- Reorient or relocate the receiving antenna.
- Increase the separation between the equipment and receiver.
- Connect the equipment into an outlet on a circuit different from that to which the receiver is connected.
- Consult the dealer or an experienced radio/ TV technician for help.

CAN ICES-3 (B) / NMB-3 (B)

Only for European Union and EEA (Norway, Iceland and Liechtenstein)



These symbols indicate that this product is not to be disposed of with your household waste, according to the WEEE Directive (2012/19/EU), the Battery Directive (2006/66/EC) and/or national legislation implementing those Directives.

If a chemical symbol is printed beneath the symbol shown above, in accordance with the Battery Directive, this indicates that a heavy metal (Hg = Mercury, Cd = Cadmium, Pb = Lead) is present in this battery or accumulator at a concentration above an applicable threshold specified in the Battery Directive.

This product should be handed over to a designated collection point, e.g., on an authorized one-for-one basis when you buy a new similar product or to an authorized collection site for recycling waste electrical and electronic equipment (EEE) and batteries and accumulators. Improper handling of this type of waste could have a possible impact on the environment and human health due to potentially hazardous substances that are generally associated with EEE. Your cooperation in the correct disposal of this product will contribute to the effective usage of natural resources.

For more information about the recycling of this product, please contact your local city office, waste authority, approved scheme or your household waste disposal service or visit www.canon-europe.com/weee, or www.canon-europe.com/battery.

Canon