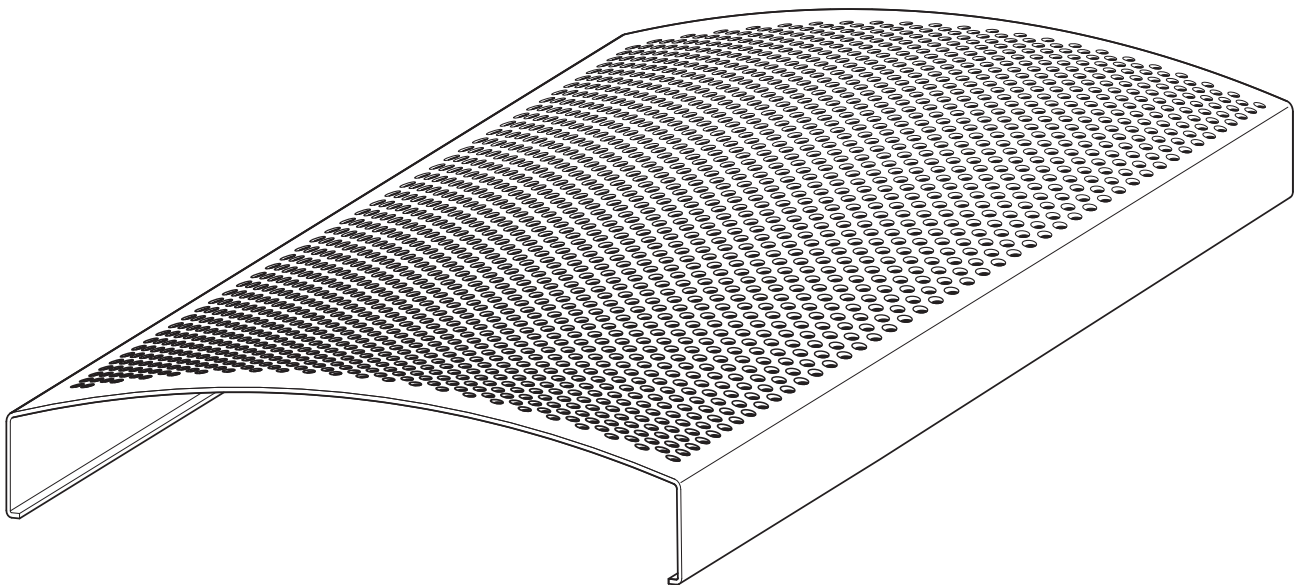




▶▶ NEUMANN.BERLIN

▶ GKH 420 METAL GRILLE

MOUNTING MANUAL





Contents

Important safety instructions	2
The GKH 420 metal grille	2
Package contents	2
Product overview	3
Mounting the GKH 420	3
Preparing the GKH 420	3
Attaching the GKH 420	4
Attaching the Neumann logo	4
Cleaning and maintaining the GKH 420	5
Specifications	5
Manufacturer Declarations	5



Important safety instructions

1. Read this mounting manual and the KH 420 operating manual.
2. Keep the mounting manual and the KH 420 operating manual and always include them when passing the product on to third parties.
3. Read and follow all safety instructions and always proceed as described in this mounting manual and in the KH 420 operating manual.

Intended use Intended use of the product includes:

- having read this mounting manual, the KH 420 operating manual and especially the chapter “Important safety instructions” in both manuals,
- using the product within the operating conditions and limitations described in this mounting manual.

“Improper use” means using the product other than as described in this mounting manual, or under operating conditions which differ from those described herein.

The GKH 420 metal grille

Thank you for purchasing a Neumann metal grille. This Neumann accessory is designed to complement Neumann’s extensive range of monitors.

Package contents

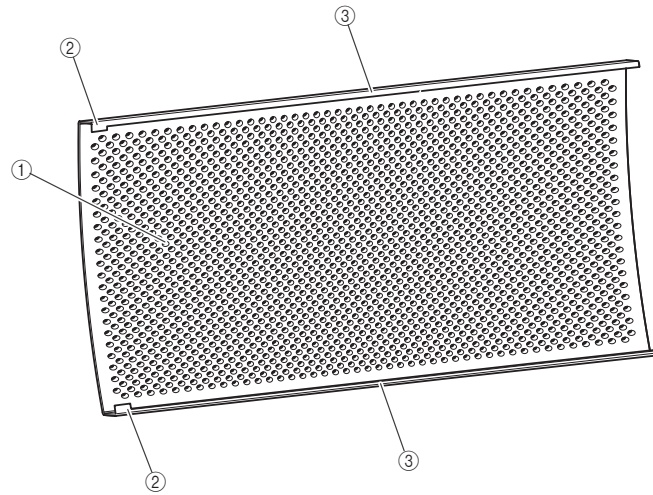
- 1 GKH 420 metal grille
- 1 Mounting manual
- 20 Felt pads
- 1 Neumann logo



The current mounting manual and further information can be downloaded from the “Downloads” area on the product page at www.neumann.com.



Product overview



① Grille

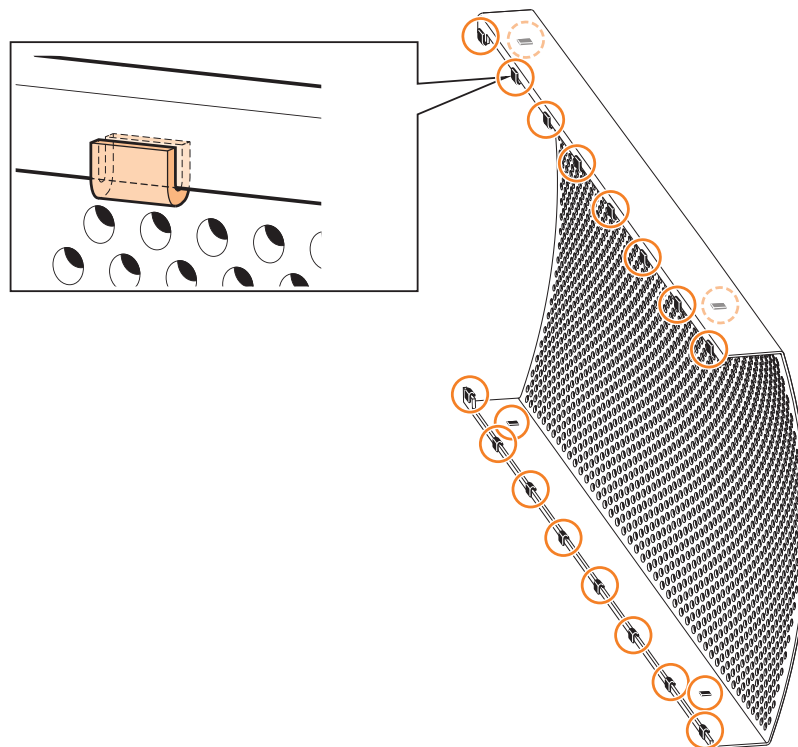
② Tabs

③ Rails

Mounting the GKH 420

Preparing the GKH 420

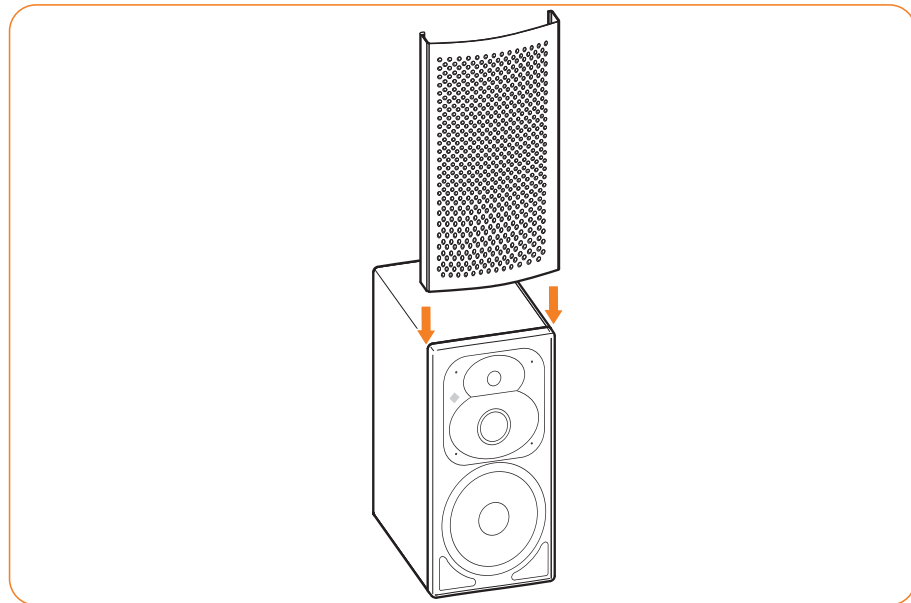
▶ Attach the supplied felt pads as shown.



Attaching the GKH 420

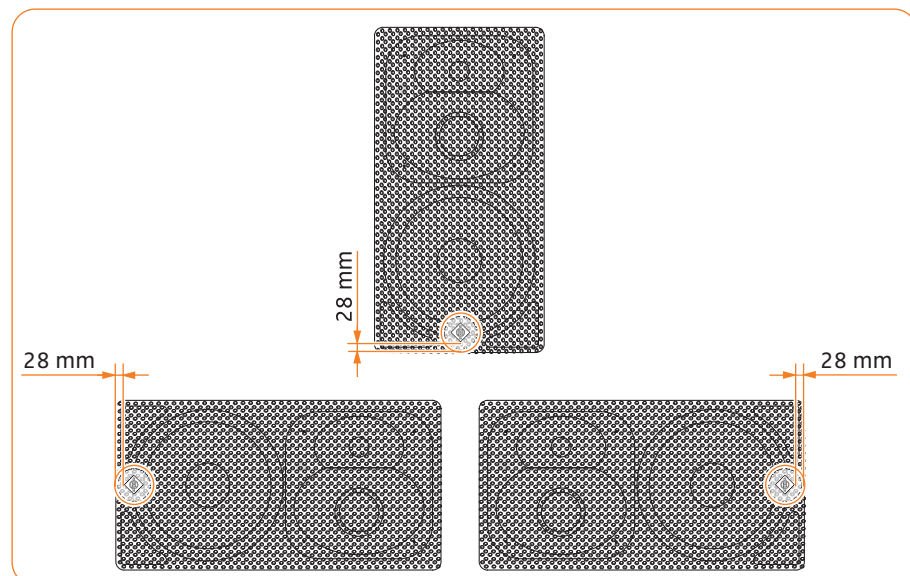
To attach the GKH 420 to the cabinet:

- ▶ Make sure that the felt pads are attached to the GKH 420 as shown on the previous page. If you do not use the felt pads or if they are attached other than shown on the previous page, you risk to scratch the surface of the KH 420 and the grille may rattle during operation of the loudspeaker.
- ▶ Slide the GKH 420 vertically down into the grooves on the side of the KH 420.
 - The tabs should be located at the top of the cabinet.
 - Proceed carefully, avoid scratching the GKH 420 and KH 420 and make sure not to damage the drivers.
- ▶ Do not rotate the loudspeaker cabinet so that the grille tabs are at the bottom. Otherwise the grille may slip out.



Attaching the Neumann logo

- ▶ Attach the Neumann logo between the bass reflex ports (see figure). Do not attach the logo close to the treble driver.





Cleaning and maintaining the GKH 420

CAUTION

Damage to the KH 420 active studio monitor caused by liquids!

Liquids entering the KH 420 can cause a short-circuit in the electronics of the KH 420 and damage or even destroy the product.

- ▶ Keep all liquids away from the GKH 420 and the KH 420!
- ▶ Before cleaning the GKH 420, disconnect the KH 420 active studio monitor from the mains power supply.
- ▶ Use a soft, dry, and lint-free cloth to clean the GKH 420. Do not use any solvents or cleaning agents.

Specifications

Product properties	
Dimensions (H x W x D)	334 x 635 x 54 mm (13 ¹ / ₈ " x 25" x 2 ¹ / ₈ ")
Weight	1800 g (4 lbs)
Color	steel, black (RAL 9005)

Manufacturer Declarations

Guarantee

For the current terms and conditions of the product guarantee, please visit www.neumann.com.

Trademarks

Neumann® is a registered trademark of Georg Neumann GmbH.

