

ARTISTETM REMBRANDT



The Artiste Rembrandt™ is an extremely bright, full-featured LED Wash fixture offering outstanding output, optimized wash field and a wide color-mixing gamut through its variable SpectraColor engine.

Providing up to 51,000 lumens from its efficient 950W 6,500K LED engine, the Rembrandt is the ideal fixture for any application requiring superior wash output, bright and powerful beams, and quiet operation, as well as stunning colors. Rembrandt integrates Elation's new SpectraColor system, which offers traditional CMY mixing but adds a variable RGB color mix for rich saturated primaries. In combination with the variable CTO, the Rembrandt allows for colors that were previously impossible to achieve, from theatrical pastels to the most vibrant red or blues ever produced by a color mixing system. The wide color gamut of the Artiste Rembrandt is achieved by seven color-mixing flags with 16-bit precision for artistic possibilities that are truly inspiring. The fixed color wheel offers UV and high CRI options to round out the amazing color range of the fixture.

The internal full-blackout framing system provides precise control when highlighting set pieces and performers while eliminating any light spill. Designers can also use the flexible framing system to create outstanding projection and mid-air effects, and DMX controllable variable fan modes offer low noise operation for noise sensitive environments.

With a fast zoom range from 11° to 55° and an impressive 180mm front lens, the Rembrandt has the power to cut through at even great distances in arena touring environments or large TV or theater stages. The traditional Fresnel lens is interchangeable with a Pebble Convex lens, providing a tighter beam angle and higher center intensity for long throws or beam applications.

Additionally, the Artiste Rembrandt incorporates an innovative wash texture concept that gives the designer new tools to wash stages while providing soft textures and depth. Two independent animation wheels allow for directional motion, including overlapping and counter-rotating motion effects that are unique to the fixture. Combined with the incredible output and stunning SpectraColors, the Rembrandt is a surprisingly versatile luminaire for a wide range of applications.

The Artiste Rembrandt ships in a cardboard box with a custom-fitted polyurethane foam FIL (Foam In Lay) insert. The foam insert easily fits into a custom flight case (not included) and provides enhanced impact protection during transport.

FEATURES

High Efficiency 950W 6,500K White LED Engine
Hotspot Engine for Optimized Wash Field / High Center Intensity

Up to 51,000 Total Lumen Fixture Output
SpectraColor CMYRGB Array and Variable Linear CTO

6-Position Color Wheel, High CRI, UV Filter
Wash Beam Animation Array with 2 Independent Wheels

Dual Variable Frost

Full Blackout Framing System with 360° Continuous Index and Rotation of Shapes

11° to 55° Zoom Range | Large 180mm Fresnel lens

Optional Pebble Convex (Stipple PC) Lens

DMX Controllable Variable Fan Modes / Low Noise Operation



ELATION ARTISTE REMBRANDT | Technical Specifications

Specifications subject to change without notice ©Elation Professional 07/28/2020

PRODUCT SPECIFICATIONS

SOURCE

950W 6,500K Bright White LED Engine
30,000 Hour Average LED Life*

*Test lab conditions. May vary depending on several factors including but not limited to: Environmental Conditions, Power/Voltage, Usage Patterns (On-Off Cycling), Control, and Dimming.

PHOTOMETRIC DATA

51,000 Total Lumen Fixture Output
CRI 72+ (85+ with HCRI filter)

Fresnel

Zoom Range 11° - 55°
Beam Angle 6.1° - 43.1°
Field Angle 51.9° - 64.9°

PC (optional)

Zoom Range 8° - 50°
Beam Angle 6.5° - 45°
Field Angle 10.8° - 75.7°

EFFECTS

Motorized Zoom (Fresnel)
4 Full Blackout Framing Blades
360° Framing Index - Continuous Framing Rotation
2 Bi-Directional Animation Wheels
2 Variable Frost Filters (Medium, Heavy)
High Speed Iris
Focus Edge Control
Variable 16-bit Dimming Curve Modes
High Speed Electronic Shutter and Strobe
Adjustable LED Refresh Rate Frequency

COLOR

SpectraColor CMY + RGB color mixing array
6 Dichroic Colors including High CRI Filter, UV
Linear CTO Color Correction

CONTROL / CONNECTIONS

2 DMX Channel Modes (35/59 Ch.)
16-bit Pan, Tilt, and Dimming Control
DMX, RDM, Art-NET, and sACN Protocol Support
6 Button Touch Control Panel
Full Color 180° Reversible LCD Menu Display
Hibernation Mode (Power Save)
Locking 5pin XLR DMX, RJ45 Ethernet, and Power
With Wired Digital Communication Network

SIZE / WEIGHT

Length: 18.5 in. (471mm)
Width: 23.3 in. (592mm)
Vertical Height (Fresnel Lens): 31.5 in. (805mm)
Vertical Height (optional PC Lens): 31.3 in. (795mm)
Weight: 94.7lbs. (43 kg)

ELECTRICAL / THERMAL

AC 100-240V - 50/60Hz
1300W Max Power Consumption
14°F to 113°F (-10°C to 45°C)
BTU/hr (+/- 10%) 4433

APPROVALS / RATINGS

CE | cETLus (pending) | IP20

OPTIONAL ACCESSORIES:

ARPCL1- PC Lens

Specifications and documentation subject to change without notice.

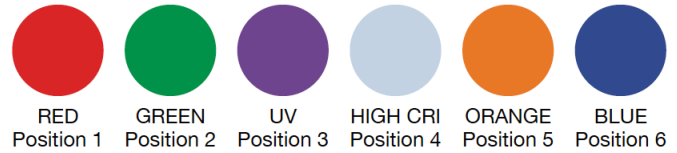
ORDERING INFORMATION

EAR246	Artiste Rembrandt
DRCPRO001	Dual Pro Roadcase for Artiste Rembrandt, Artiste Monet, & Proteus Maximus

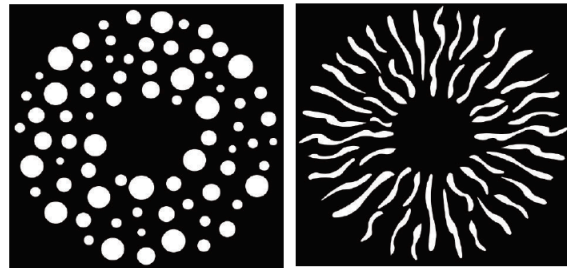
COLOR FLAGS



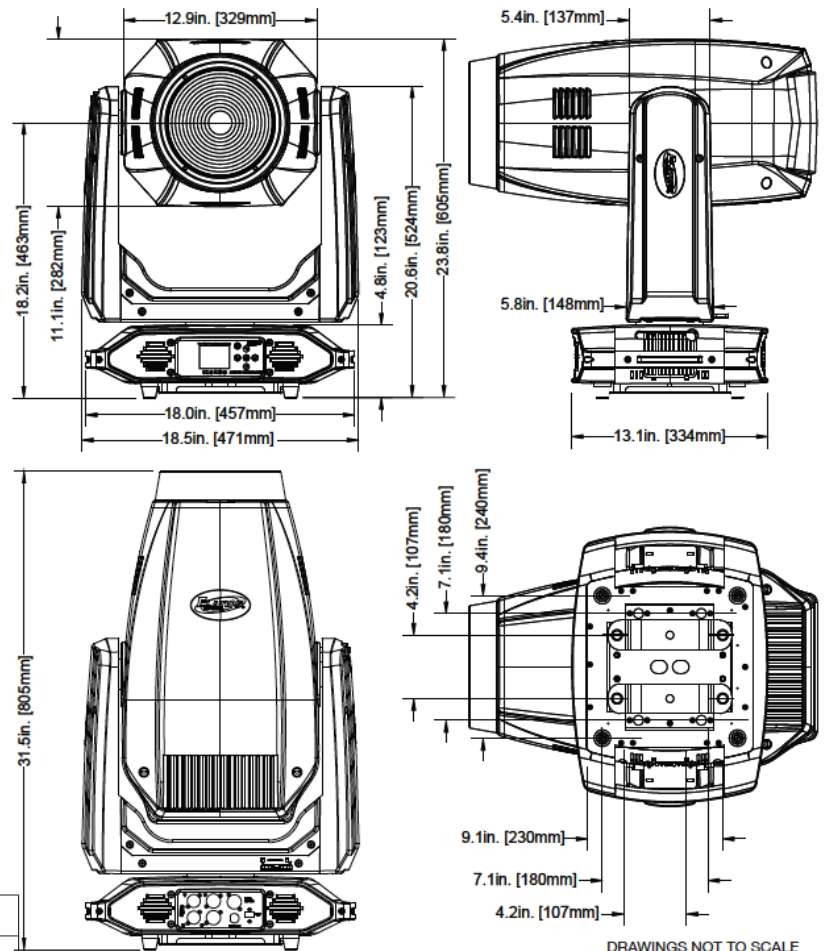
COLOR WHEEL



BI-DIRECTIONAL ANIMATION WHEELS



DIMENSIONS



DRAWINGS NOT TO SCALE



Elation Professional USA
6122 S. Eastern Ave. | Los Angeles, CA, 90040
323-582-3322 | info@elationlighting.com

Elation Professional B.V.
Junostraat 2 | 6468 EW Kerkrade, The Netherlands
+31 45 546 85 66 | info@elationlighting.eu

Elation Professional Mexico
AV Santa Ana 30 | Parque Industrial Lerma, Lerma, Mexico 52000
+52 (728) 282-7070

FOAM IN LAY DIMENSIONAL DRAWINGS

The **Artiste Rembrandt™** fixture ships with a custom fitted polyurethane foam FIL (Foam In Lay) packaging insert, which easily fits into a custom sized flight case (not included), and provides enhanced impact protection during transport.

