



Touchboards

205 Westwood Ave, Long Branch, NJ 07740
Phone: 866-94 BOARDS (26273) / (732)-222-1511
Fax: (732)-222-7088 | E-mail: sales@touchboards.com

REALiS
LCOS PROJECTORS

USA.CANON.COM/PROJECTORS

CANON PORTRAIT PROJECTION SOLUTION

Canon's Portrait Projection Solution allows users to display the outstanding image quality of REALiS LCOS Projectors, in a large portrait orientation.

This is made possible by simply attaching Canon's new custom Portrait Projection Mirror Adapter to a select REALiS projector (list below) – and the results will amaze! For added installation flexibility, the mirror adapter also allows for adjustments to Pitch, Roll and Yaw (see back for specifications and dimensions).

The versatility of the Canon Portrait Projection Solution makes it ideal for many markets/applications, including:

- **Simulation & Training**
- **Digital Signage & Advertising**
- **Museums & Galleries**
- **Education**

Portrait Projection Mirror Adapter compatible with:



REALiS WUX500



REALiS WUX450



REALiS WX520

REALIS PROJECTOR ADVANTAGES

- LCOS Technology Delivers Crisp, Seamless Images
- Advanced Color Management Systems Produce Highly Accurate Colors
- Genuine Canon Optics Ensure Consistently High Brightness and Large Depth of Field
- Edge Blending for Multi-Projection Applications
- Versatile Lens Shift
- Flexible Connectivity



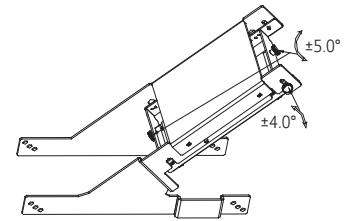
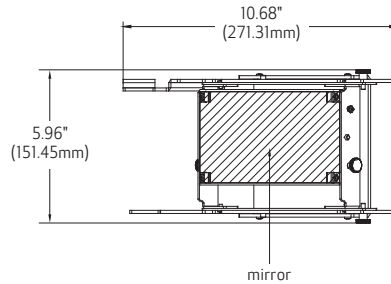
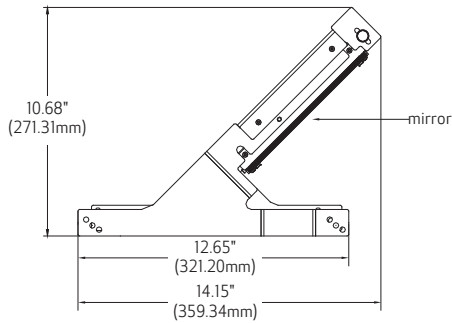
Canon



PORTRAIT PROJECTION MIRROR ADAPTER SPECIFICATIONS

Item Code: 2829V783

Weight	6.85 lbs.
Adjustments	Pitch $\pm 4^\circ$, Roll $\pm 8^\circ$
Dimensions	



REALiS WUX500 SPECIFICATIONS

PROJECTION SYSTEM	
Imaging Device	0.71" LCOS Reflective LCD panel x3
Aspect Ratio	16:10
Native Resolution	1920 x 1200 (WUXGA)
Brightness^{2,3}	5000 Lumens (Normal) / 3800 Lumens (Power Saver)
Contrast	2000:1
Image Size	40 - 300"
Digital Keystone	V $\pm 20^\circ$, H $\pm 20^\circ$
F Number, Focal Length	F2.8, 21.7 - 39.0mm
Uniformity	90%
Zoom Ratio	1.8x (Manual)
Throw Ratio¹	1.39 - 2.51:1
Digital Zoom	12x Maximum
Focus	Manual
Lens Shift	V: 0% - 60%, H: $\pm 10\%$ (Manual)
IMAGE ADJUSTMENTS	
Image Mode	Standard / Presentation / Dynamic / Photo / sRGB / Video / DICOM SIM / Users 1 - 5 (only available WUX500 D)
Color Adjustment	Color Level, Color Balance, Color Temperature, Gain (R,G,B), Offset (R,G,B)
Wall Color Correction	Normal / Greenboard / Adjust (custom)
Mounting	Ceiling, Upward, Downward, Table
Tilt Angle	2 Bottom Front Feet: Maximum Elevation 6°
Keystone	Four corner independent Keystone
INPUT SIGNALS	
Scanning Frequency	H: 15.625kHz - 75kHz, V: 24Hz - 60.317Hz
Analog PC Input	WUXGA / UXGA / WSXGA+ / SXGA+ / WXGA+ / FWXGA / WXGA / SXGA / XGA / SVGA / VGA
Digital PC Input	WUXGA / UXGA / WSXGA+ / SXGA+ / WXGA+ / FWXGA / WXGA / SXGA / XGA / SVGA / VGA
Digital Video Input	1080p (24, 50, 60 FPS) / 1080i (50, 60 FPS) / 720p / 576p / 480p
Component Video Input	1080p / 1080i / 720p / 576p / 576i / 480p / 480i
HDBaseT™⁵	Equivalent to the Input Signal of Digital PC Input and Digital Video Input.
USB Port	JPEG Still Image
Network Communication	NMPJ (Network Multi Projection), Screen Transfer (Canon Original Protocol)
Dot Clock	154.00MHz

TERMINALS	
DVI-I	Digital PC/Analog PC Input
HDMI	Digital PC/Digital Video Input
RJ-45 (HDBaseT™)⁵	HDBaseT™ Input (Image, Audio and Control Signal)
Mini Dsub15	Analog PC/Component Video Input
Mini Jack x3	Audio Input x2, Audio Output x1
Mini Jack x1	Wired Remote Control Connection
Dsub9	RS-232C Connection
USB Type A	USB Connection
RJ-45	Network Connection (1000BASE-T / 100BASE-TX / 10BASE-T)
Wi-Fi*	802.11b/g/n
REMOTE CONTROL	
Remotes	Wireless Infrared (supplied) or Wired (optional)
WIRED CONTROL CONNECTIONS	
Systems	AMX (Device Discovery), Crestron (RoomView) and PJLink
BUILT-IN SOUND	
Internal Speaker	5W, Monaural
LAMP	
Type	250-NSHA
Life	3000 Hours (Full Power) / 5000 Hours (Power Saver)
Power²	260/200 W
RATINGS	
Fan Noise²	37dB (Full Power) / 30dB (Power Saver)
Power Consumption²	365/295 W
Standby Power⁴	1.5/1.1/0.6/0.2 W
Power Voltage	AC 100 - 240V, 50/60 Hz
Operating Temperature	32°F - 104°F (0°C - 40°C, 20%RH - 85%RH)
Storage Temperature	-4°F - 140°F (-20°C - 60°C)
Dimensions (W x H x D)	13.2" x 5.3" x 14.5" / 337mm x 136mm x 370mm (including protrusion)
Weight	13 lbs. (5.9kg)
Projector Warranty	3 Years (parts and labor)
Lamp Warranty	120 Days

 For specifications on the other compatible projectors (REALiS WUX450 and REALiS WX520) please visit usa.canon.com/projectors

¹ Calculated value for 100" image ² Lamp mode is Full Power/Power Saver ³ Brightness in Power Saver mode is only a calculated value, and is not guaranteed as specification ⁴ Low-power networking and HDBaseT(TM) "on" / Networking "off", HDBaseT(TM) "on" / Low-power networking "on", HDBaseT(TM) "off" / Networking and HDBaseT(TM) "off" ⁵ Only supports Video, Audio and Serial Control (RS-232C). Support may vary from different manufacturers' TX (transmitter) combinations.

©2015 Canon U.S.A., Inc. All rights reserved. Not responsible for typographical errors. Specifications subject to change without notice. Products not shown to scale. Certain images and effects are simulated. Canon and REALiS are registered trademarks of Canon Inc. in the United States and may also be trademarks or registered trademarks in other countries. DICOM is the registered trademark of the National Electrical Manufacturers Association for its standards publications relating to digital communications of medical information. HDBaseT(TM) is a trademark of the HDBaseT Alliance. Wi-Fi and is a registered trademark of the Wi-Fi Alliance. All other products and brand names may be registered trademarks, trademarks or service marks of their respective owners in the United States and/or other countries.