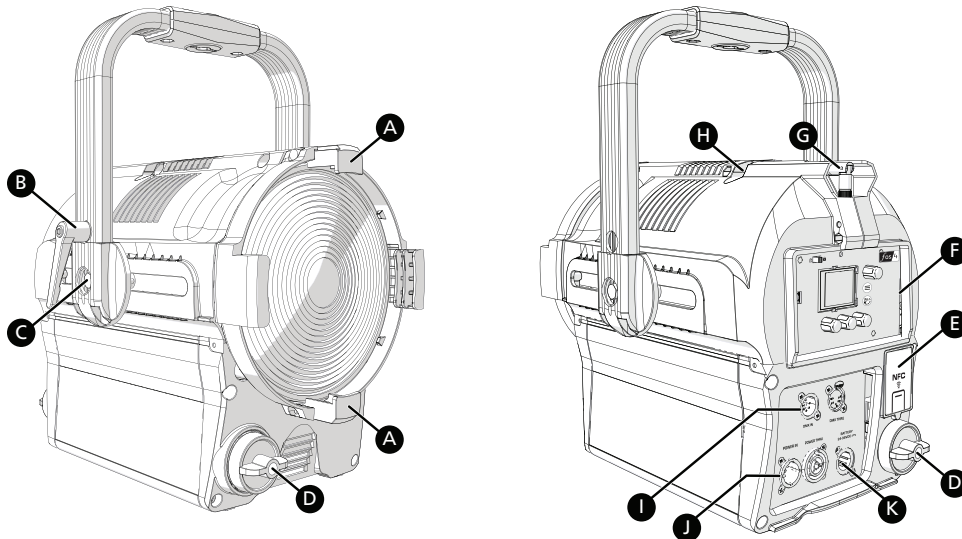


# ETC Quick Guide

## fos/4 Fresnel

### Overview

Use the images below as a guide to connect power and data and to navigate the basic features of the fixture. For complete information, see the *fos/4 Fresnel User Manual* at [etconnect.com](http://etconnect.com).



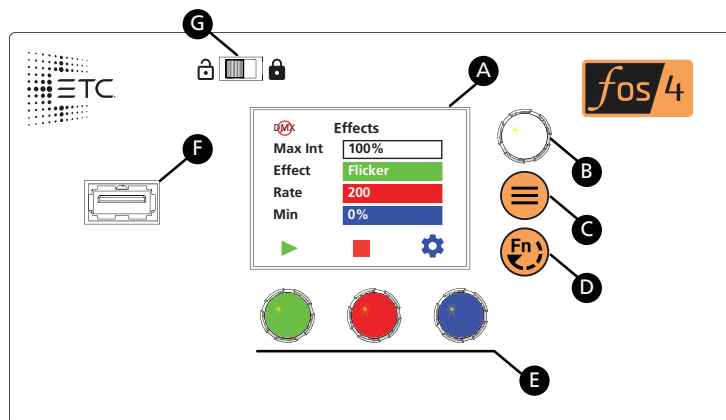
A	<b>Accessory holder:</b> Insert accessories into the two available slots from either side of the holder, and then lock the holder. See <a href="#">Add Accessories on page 4</a> .
B	<b>Yoke tilt-lock:</b> Tilt the fixture as needed, and then turn the tilt-lock clockwise to lock the position. If necessary, press the center button on the tilt-lock to adjust the tilt-lock position.
C	<b>Adjustable yoke:</b> Loosen the bolts, and then shift the adjustable yoke forward or backward as needed to balance the fixture. Tighten the bolts to secure. See <a href="#">Add Accessories on page 4</a> .
D	<b>Zoom knob:</b> Rotate the zoom knob on either side of the fixture to adjust from spot to flood.
E	<b>NFC (Near Field Communication) tag:</b> Use the Set Light app to wirelessly configure the fixture, with or without power applied to the fixture.
F	<b>User interface:</b> View the fixture status, set the DMX address and mode, or set stand-alone options.
G	<b>Antenna:</b> For use when controlling the fixture using wireless DMX.
H	<b>Safety cable attachment point:</b> See <a href="#">Mounting and Safety Cables on page 4</a> .
I	<b>DMX In and DMX Thru connectors:</b> Five-pin XLR connectors for DMX/RDM in and thru.
J	<b>Power In and Power Thru connectors:</b> powerCON® TRUE1 TOP connectors for power in and power thru.
K	<b>Battery connector:</b> Three-pin XLR connector for battery power. Connect the fixture to battery power only when AC power is not available. Maximum fixture output may be reduced when powered by battery.



# ETC Quick Guide

## fos/4 Fresnel

### User Interface



A	<p><b>Display:</b> The colors of options on the display correspond to the colors of the encoders below the display (E) and the Intensity encoder to the right of the display (B).</p>
B	<p><b>Intensity encoder:</b></p> <ul style="list-style-type: none"> <li>• When in DMX mode, press the Intensity encoder to enter Focus mode when focusing the fixture.</li> <li>• When configuring the fixture in one of the stand-alone modes, press the Intensity encoder to toggle between the current intensity and 0, or turn the Intensity encoder to modify the white fields on the display. See <a href="#">Use Fixture in Stand-alone Mode on page 7</a>.</li> <li>• When navigating from the <b>Main Menu</b> screen, turn the Intensity encoder to scroll through menu options, and then press the Intensity encoder to select a menu option.</li> </ul>
C	<p><b>Menu button:</b> Press to view the <b>Main Menu</b> screen and configure the fixture. Press the button again to return to the previous screen when you are setting configuration options.</p>
D	<p><b>Function button:</b> Press repeatedly to toggle through the following modes:</p> <ul style="list-style-type: none"> <li>• <b>Studio:</b> Use one of three studio (white light) presets, or customize the presets.</li> <li>• <b>Color:</b> Use one of 12 color presets, or customize the presets.</li> <li>• <b>Preset:</b> Use one of 12 presets (color preset + fade time), or customize the presets.</li> <li>• <b>Effects:</b> Use one of 12 effects, or customize the effects.</li> <li>• <b>DMX:</b> View and set DMX parameters for the fixture.</li> </ul> <p>See <a href="#">Use Fixture in Stand-alone Mode on page 7</a> and <a href="#">Use Fixture in DMX Mode on page 6</a>.</p>
E	<p><b>Encoders (Red, Green, Blue):</b> The colors of encoders correspond to options on the display. Press to activate the options at the bottom of the display, or turn to modify the values on the display.</p>
F	<p><b>USB port:</b> Use for updating firmware, saving and loading fixture configuration settings, or saving error logs via a flash drive.</p>
G	<p><b>UI lock:</b> Set this switch to lock the UI. This prevents inadvertent changes to the UI.</p>

# ETC Quick Guide

## fos/4 Fresnel

---

### Safety

#### IMPORTANT SAFEGUARDS

When using electrical equipment, basic safety precautions should always be followed including the following:

#### READ AND FOLLOW ALL SAFETY INSTRUCTIONS

- Do not use outdoors.
- Do not let power supply cords touch hot surfaces.
- Do not mount near gas or electric heaters.
- Equipment should be mounted in locations and at heights where it will not readily be subjected to tampering by unauthorized personnel.
- The use of accessory equipment not recommended by the manufacturer may cause an unsafe condition.
- Do not use this equipment for other than intended use.

#### SAVE THESE INSTRUCTIONS



**Note:** *The light source in this luminaire is not user-replaceable, and must be replaced only by a qualified technician. Contact ETC Customer Support for assistance.*

---



**WARNING:** Note the following safety warnings before use:

- Use the fixture in dry locations only, where humidity does not exceed 90 percent (non-condensing).
  - Connect the fixture to a non-dimmable power source in order to avoid damage to the fixture's internal power supply and other electrical components. Using a dimmable power source can damage the fixture and will void the warranty.
  - Disconnect the fixture from power and DMX and allow it to cool before installing accessories or performing any cleaning and maintenance.
  - Only use mounting hardware that is rated for the total weight of the fixture and accessories.
  - In addition to primary suspension, attach a safety cable (or other approved safety device) to the fixture. Safety cables must be rated to support ten times the fixture weight. Consult local standards to ensure that safety cables meet all requirements. See [Mounting and Safety Cables on the next page](#).
  - Check that the accessory holder is locked and that any accessory safety cables are connected before mounting the fixture.
  - Do not mount the fixture on or near a flammable surface.
  - Do not operate the fixture without the lens installed.
  - Do not use this fixture with a damaged power lead. If the power lead (cord set) is damaged, it must be replaced.
  - Do not use this fixture if the lens is deeply scratched or cracked. You must replace the lens when it is damaged.
-

# ETC Quick Guide

## fos/4 Fresnel



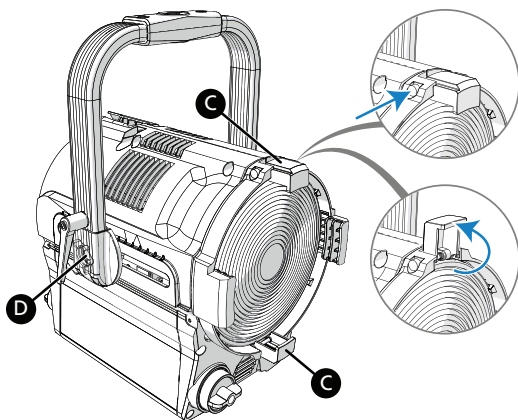
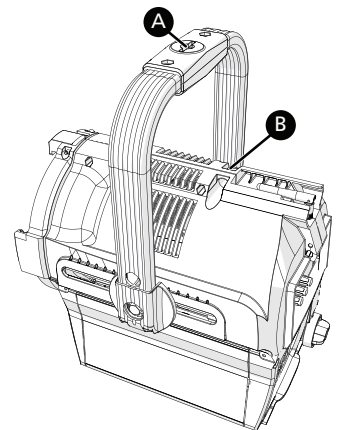
**AVERTISSEMENT** : Prendre connaissance des avertissements de sécurité suivants avant toute utilisation :

- Débranchez le projecteur de son alimentation et du DMX et laissez-le refroidir avant d'installer des accessoires ou d'effectuer un nettoyage ou un entretien.
- N'utilisez que de la quincaillerie de montage adaptée au poids total des projecteurs et des accessoires.
- En plus de la suspension principale, fixez une chaîne de sécurité (ou tout autre dispositif de sécurité homologué) au projecteur. Les chaînes de sécurité doivent être en mesure de supporter dix fois le poids du projecteur. Consultez les normes locales pour vous assurer que les câbles de sécurité respectent toutes les exigences.
- Vérifiez que le porte-accessoires est verrouillé et que les élingues de tous les accessoires sont bien attachées avant de monter le projecteur.
- Ne pas installer le projecteur sur ou à côté d'une surface inflammable.
- N'utilisez pas le projecteur sans que la lentille soit installée.
- Ne pas utiliser ce projecteur avec un cordon d'alimentation endommagé. Si le cordon d'alimentation (câble) est abîmé, il doit être remplacé.
- N'utilisez pas ce projecteur si la lentille présente des rayures ou des fissures profondes. Il faut remplacer la lentille si elle est abîmée.

## Mounting and Safety Cables

You can mount the fixture using a clamp, baby-pin (16 mm) receiver, or spigot on the yoke (A), or you can set the fixture on the floor or another flat surface. When suspending the fixture, make sure to secure the fixture with an appropriate safety cable at the safety cable attachment point (B).

If necessary, move the adjustable yoke (D in image below) to balance the fixture. Use a 13 mm socket wrench to loosen the bolt and shift the yoke position, and then tighten the bolt to secure the yoke.



## Add Accessories

You can use up to two standard accessories (one scrim and one additional accessory, such as a barn door) in the accessory holder.

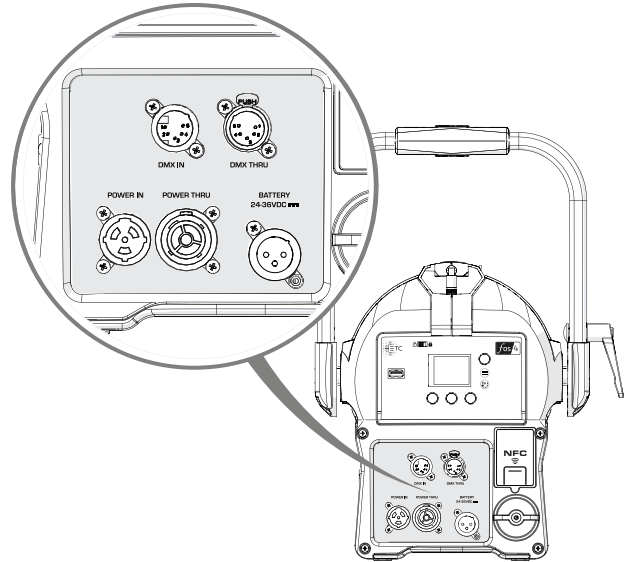
1. Unlock the accessory holder on either side by pressing the spring-release and rotating the accessory holder lock (C).
2. Slide an accessory into one of the accessory slots. Add a second accessory in the other slot, if needed.
3. Lock the accessory holder by rotating the accessory holder lock back into place.
4. If necessary, move the adjustable yoke (D) to balance the fixture when using heavier accessories.

# ETC Quick Guide

## fos/4 Fresnel

### Connect Power and Data

1. Attach five-pin XLR cable to the DMX In connector (if using external control).
2. Plug the XLR cable (if using) into the DMX source or data daisy-chain.
3. Use the DMX Thru connectors to connect up to 32 device loads on the DMX daisy chain.
4. Are you using AC power or battery power?
  - AC power: Continue to step 5.
  - Battery power: Continue to step 6.
5. Use the Power Thru connectors to connect other fixtures using the following recommended guidelines, and then continue to step 6:
  - Power Thru: Link up to 6 additional fixtures (12 A max) via Power Thru connector when using an R20 Relay Module (consult breaker-trip curves when using other equipment).
6. Supply power to the fixture in one of these ways:
  - Attach the power cable to the Power In connector, and then plug the power cable into AC power (100–240 VAC, 50/60 Hz) on a non-dimmable circuit.
  - Attach the three-pin XLR cable to the Battery connector, and then plug the cable into the battery (24–36 VDC). Cable must be rated for 10 A or greater.



**CAUTION:** *Do not connect the fixture to the battery when AC power is present. Maximum fixture output may be reduced when the fixture is connected to battery power.*

### Focus the Fixture

1. Apply power to the fixture, and wait until the fixture has booted up (the ETC splash screen displays during boot up).
2. Press any encoder to "wake" the display.
3. What screen is currently displayed?
  - **DMX:** Press the Intensity encoder to turn on the LED array. The display shows a timeout countdown to indicate how long the LED array will remain on at 100% intensity. You can turn the Intensity encoder to reset the timeout countdown to 5 minutes.
  - **All other screens (Studio, Preset, etc.):** Press the Intensity encoder to turn on the LED array, and turn the Intensity encoder to adjust the intensity.
4. Adjust the fixture to the desired position.
5. Rotate the zoom knob on either side of the fixture to adjust from spot to flood.
6. Press the Intensity encoder to turn off the LED array.

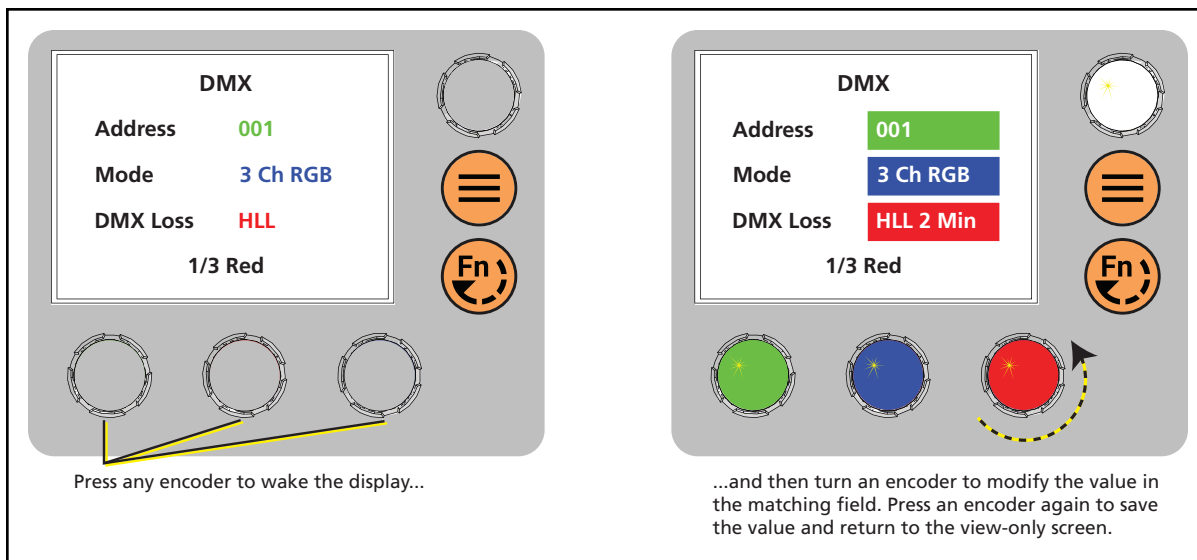
# ETC Quick Guide

## fos/4 Fresnel

### Use Fixture in DMX Mode

After you connect power and data to the fixture and provide DMX, press the **Function** button (Fn) repeatedly to toggle to the **DMX** screen, where you can set the DMX address, DMX mode, and DMX loss behavior. (You can also set these values using RDM.)

The **DMX** screen displays the current DMX values. Press any of the encoders to "wake" the display and edit the values. The colors of the encoders correspond to options on the display. Turn an encoder to modify the corresponding value, and then press the encoder to save the new value.



### DMX Modes

	Direct (Daylight HDR)	Direct (Lustr X8)	Expanded	Studio	3 Ch RGB	1 Channel
RDM Personality ID ▶	1	1	2	3	4	5
DMX Channel ▼						
1	Intensity	Intensity	Intensity	Intensity	Red	Intensity
2	Deep Red	Deep Red	CCT	CCT	Green	
3	Red	Red	Tint	Tint	Blue	
4	Mint	Amber	Tuning	Tuning		
5	Cyan	Lime	Mix	Strobe		
6	Blue	Green	Red	Curve		
7	Indigo	Cyan	Green	Fan		
8	Strobe	Blue	Blue			
9	Curve	Indigo	Strobe			
10	Fan	Strobe	Curve			
11		Curve	Fan			
12		Fan				

# ETC Quick Guide

## fos/4 Fresnel

### Use Fixture in Stand-alone Mode

After you connect power to the fixture, press the **Function** button (Fn) repeatedly to toggle through the following modes:

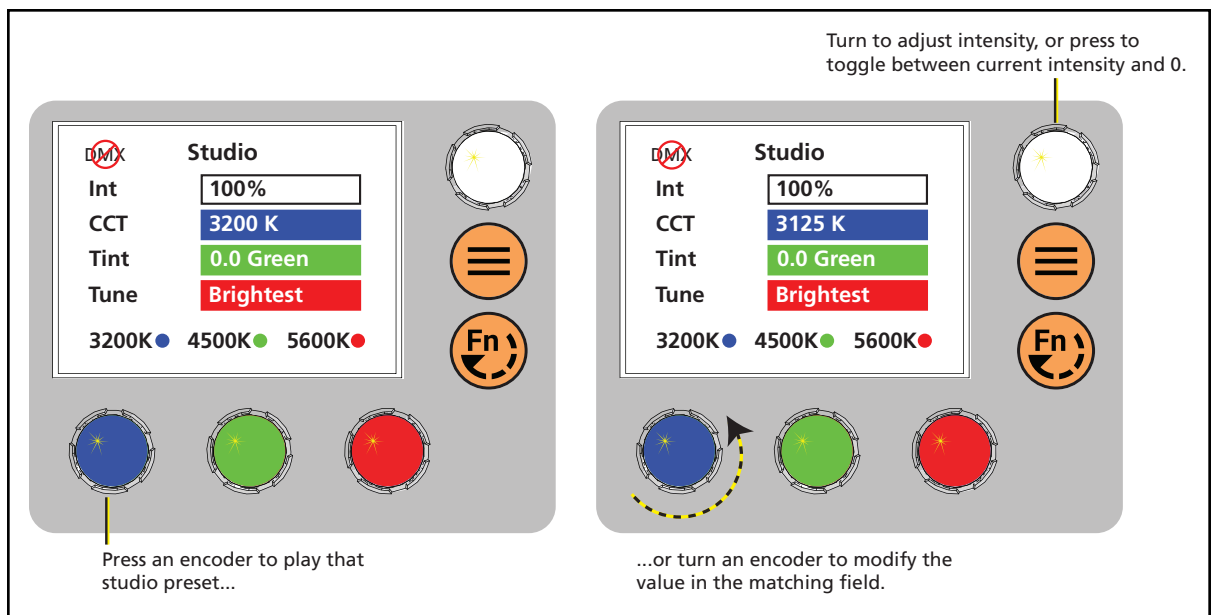
- **Studio:** Use one of three studio (white light) presets, or customize the presets.
- **Color:** Use one of 12 color presets, or customize the presets.
- **Preset:** Use one of 12 presets (color preset + fade time), or customize the presets.
- **Effects:** Use one of 12 effects, or customize the effects.
- **DMX:** View and set DMX parameters for the fixture.

The colors of options on the display correspond to the colors of the encoders below the display and the Intensity encoder to the right of the display. Turn an encoder to modify the corresponding value on the display, or press an encoder to activate the corresponding option at the bottom of the display. Press the Intensity encoder to toggle between the current intensity and 0%.

If the fixture is connected to other fos/4 Fresnel fixtures that are in the same stand-alone mode, the connected fixtures will play the same preset or effect.

### Select a Color Temperature

1. Press the **Function** button (Fn) until the display shows the **Studio** screen.



2. Press the color encoder that matches the studio preset you want to use (Blue = 3200 K, Green= 4500 K, Red= 5600 K).

### More Options

- **Turn off** the preset: Press the Intensity encoder to toggle the intensity value from the current value to 0. Press the Intensity encoder again to toggle back to the previous intensity value.
- **Modify** the preset: Turn the encoders to change the corresponding values. For example, turn the Intensity encoder to change the intensity value, or turn the blue encoder to change the color temperature value.
- **Revert** to the original preset: Press the encoder that corresponds to the preset again to restore the original values.

# ETC Quick Guide

## fos/4 Fresnel

---

- **Save** the modified preset: Press and hold the encoder that corresponds to the preset that you want to re-record. The display shows a three-second countdown before re-recording the preset.

### Select a Color

1. Press the **Function** button (🔊) until the display shows the **Color** screen.
2. Turn the encoders to change the corresponding values. For example, turn the Intensity encoder to change the intensity value, or turn the green encoder to change the hue value. The crosshairs on the display indicate the approximate color.

You can use a preset as a starting point for a color by pressing the color encoder that matches the preset. Turn the red encoder to move to another page of presets.

### More Options

- **Turn off** the color: Press the Intensity encoder to toggle the intensity value from the current value to 0. Press the Intensity encoder again to toggle back to the previous intensity value.
- **Revert** to the original color of a preset: Press the encoder that corresponds to the preset again to restore the original values.
- **Save** the color to a preset: Press and hold the encoder that corresponds to the preset that you want to re-record. The display shows a three-second countdown before re-recording the preset. Changes that you make to presets in the **Color** screen also affect presets in the **Effects** screen and the **Preset** screen.

### Select a Preset

1. Press the **Function** button (🔊) until the display shows the **Preset** screen.
2. Turn the green encoder to select a preset, and then press the encoder to play the preset.

### More Options

- **Pause** the preset fade: Press the green encoder to toggle between play and pause.
- **Stop** the preset: Press the red encoder.
- **Modify** the preset: Turn the Intensity encoder to change the intensity, or turn the red encoder to change the fade value.
- **Capture** the current DMX look: Press and hold the blue encoder (for the **Snapshot** icon 📷). The display shows a 3-second countdown before re-recording the preset. Capture is limited to three DMX modes: **3 Ch RGB**, **Studio**, and **Expanded**.
- **Modify** the preset **color**: Press the blue encoder (for the **Edit** icon ✎). In the **Edit Preset Color** screen, turn the encoders to change the corresponding values. The crosshairs on the display indicate the approximate color. Press the green encoder (for the **Save** icon 💾) to save the new color to the preset.
- **Push** the preset to connected fixtures: Press the **Menu** button (☰), and then use the Intensity encoder to navigate through the menu: **Local Settings** > **Push Presets**. When the screen prompts you to confirm, press the green encoder (for the **OK** icon ✓) to continue.