

## ACCESSORIES

### SAS-HCT

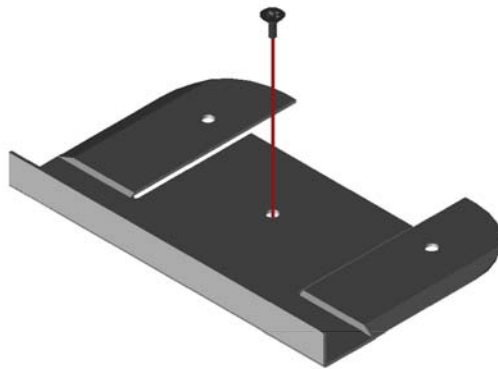
#### Table Bracket Under/Over

## Installation/Operation



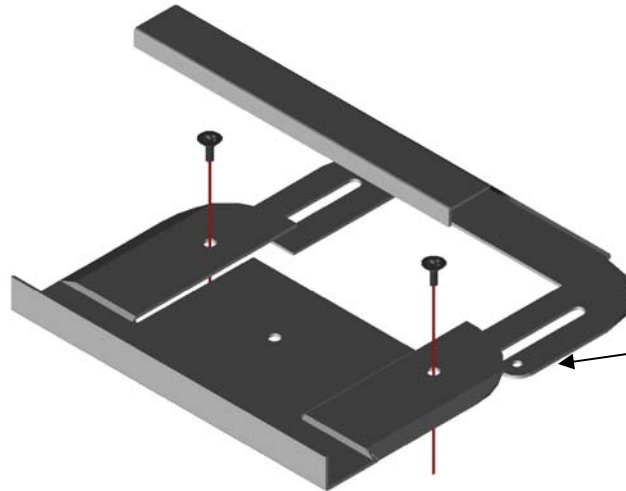
EN55103-1 E1-E5; EN55103-2 E1-E4

Typical Performance reflects product at publication time exclusive of EMC data, if any, supplied with product. Specifications are subject to change without notice.



**Step 1**  
Attach the bracket to a flat surface. Bracket can be used on top of or underneath the flat surface.

**Step 2**  
Slide the top bracket below the bottom bracket and secure with two screws (NOT INCLUDED) Do not fully tighten.



The angle of the unit can be changed by how far the top bracket is seated into the bottom bracket.

**Step 3**  
Attach the SAS-HC8 to the bracket and set the desired angle of the unit. Tighten screws.

