



GENERAL INFORMATION

ETC's Response Mk2 Two-Port Gateway provides data distribution using the quality and reliability of ETC's network technology. Built for Net3 using industry-standard sACN, DMX and RDM, the Response Gateway unlocks the power of your networked system.

APPLICATIONS

- Road houses
- Touring
- University/professional theaters
- Convention halls
- Tech tables
- Stage manager panels
- System integration

FEATURES

- Distributes DMX and RDM data to any input/output device over Ethernet
- Supports Net3 protocol powered by ACN
- Configurable DMX/RDM Output or Input
- Simple configuration and service of each port
- Onboard screen and buttons for labeling, status and configuration
- Power and network status indicators
- Touch to Wake Sensor
- Power over Ethernet (PoE) or external DC power supply
- Configurable using Concert Software

ORDERING INFORMATION

Two-Port Gateways - Wall-Mount

MODEL	DESCRIPTION
RSN-DMX2-O-__	Wall-mount 2-port Gateway - 2 Output
RSN-DMX2-I-__	Wall-mount 2-port Gateway - 2 Input
RSN-DMX2-R-__	Wall-mount 2-port Gateway - 2 RJ45

Enter color code in __ space provided:

- 1 = Cream (RAL 9001)
- 3 = Gray (RAL 7001)
- 4 = Black (RAL 9004)
- 5 = Signal White (RAL 9003)

Two-Port Gateways - Portable

MODEL	DESCRIPTION
RSN-DMX2-O-P-__	Portable 2-port Gateway - 2 Output
RSN-DMX2-I-P-__	Portable 2-port Gateway - 2 Input
RSN-DMX2-R-P-__	Portable 2-port Gateway - 2 RJ45

Enter color code in __ space provided:

- 4 = Black (RAL 9004)
- 5 = Signal White (RAL 9003)

Two-Port Gateway Accessories

MODEL	DESCRIPTION
2SBD-4	2-Gang 3.5" deep surface-mount back box
UBOLT	U-Bolt hardware kit
PS-INTL	100-240V AC in, 12 VDC Out power supply



SPECIFICATIONS

FUNCTIONAL

- Supports Net3/ACN (ANSI E1.31 and E1.17)
- Supports RDM (ANSI E1.20)
- Supports USITT DMX512-A (ANSI E1.11)
- USITT DMX512 and ANSI E1.11 DMX512-A compliant
- Flexible Output Patch allows a 512-address universe to begin at any output address
- Advanced Input Patch
- Support for per-address- or per-universe-level priority
- Maximum delay time from input to output not greater than one packet time
- Selectable DMX refresh rate with a maximum at least 40Hz
- Supports up to 256 total RDM devices

MECHANICAL

- Intuitive four-button interface
- Onboard display for identification, status and configuration
- Enclosed electronics assembly and faceplate included
- No visible means of attachment
- Flush-mount in industry standard backbox, RACO 691 or equivalent
- Surface-mount backboxes available from ETC upon request
- Constructed of injection-molded, ABS plastic in four RAL standard colors Cream (RAL 9001), Gray (RAL 7001), Black (RAL 9004), and White (RAL 9003). Portable units available in black and white
- Network and power activity LED indicators
 - Blue power indicator, green network activity indicator
- RJ45 for connection to lighting network
- Reset button for hard reset or forced reboot

ENVIRONMENTAL

- Ambient operating temperature: 0° to 40°C (32° to 104°F)
- Operating humidity: 5% - 95% non-condensing
- Storage temperature: -40° to 70°C (-40° to 158°F)

ELECTRICAL

- Compliant with IEEE 802.3i for 10BASE-T, 802.3u for 100BASE-TX and 802.3af for Power over Ethernet
- 12-24VDC power input for use with non-PoE systems
- Maximum four-watt current draw

CONFIGURATION

- Local configuration options
- Remote configuration provided by Net3 Concert
 - Supports up to 512 DMX addresses per port
 - Supports up to 63,999 Streaming ACN universes
- DMX data input or output configurable by user
- Multiple sources may be combined to the network with each source or address allowed an independent priority
- Individual port start address and offset
- User-configurable labeling

REGULATORY AND COMPLIANCE

- cETLus Listed
- CE compliant
- EAC certified
- RoHS compliant
- WEEE

ADDITIONAL INFORMATION

DMX512

Often shortened to DMX (Digital Multiplex), this communication protocol is used mainly to control dimmers and multi-parameter fixtures. A universe of DMX is defined as 512 channels. DMX sends a nearly continuous stream of level information for each control channel. It is a form of RS-485 digital serial communication.

RDM

Remote Device Management (ANSI E1.20) is a protocol enhancement to DMX512 that allows low-speed bidirectional communication between a system controller and attached RDM devices over a standard DMX line. This protocol will allow remote configuration, status monitoring, and management of devices.

sACN

Streaming ACN (ANSI E1.31), sends DMX-style control over TCP/IP networks. It provides a fast and efficient mechanism to transport the well-understood DMX protocol over Ethernet using an industry-standard protocol.

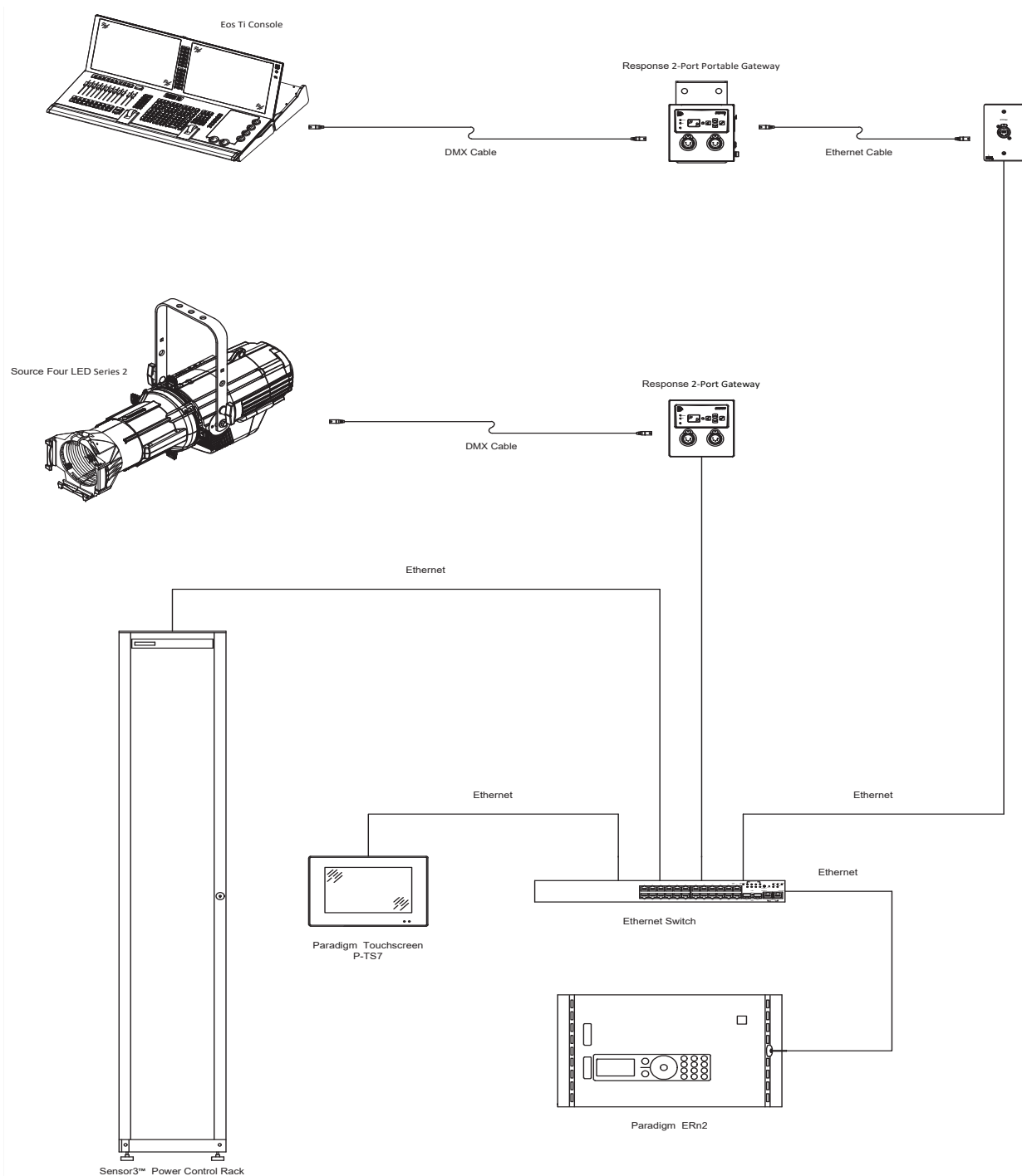
ACN

Architecture for Control Networks (ANSI E1.17) is a standard for high-speed bidirectional communication over TCP/IP on Ethernet network infrastructure. ACN is an open suite of protocols used between network devices for the purposes of greater and more adaptive control.

NET3

ETC's enhanced implementation of the standard ACN Protocol Suite (ANSI E1.17 and E1.31) including additional communication protocols for specialized applications and support of legacy systems.

TYPICAL SYSTEM RISER



PHYSICAL

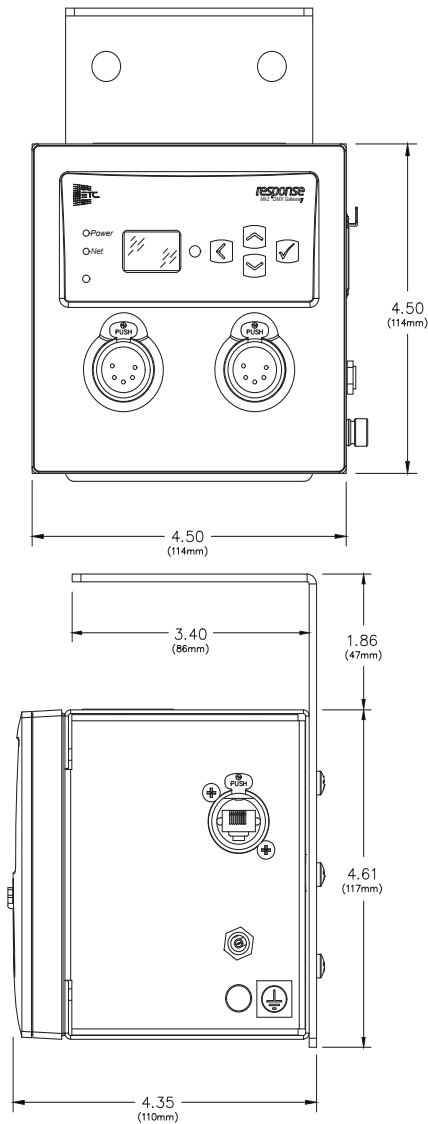
Response Two-Port Gateway Dimensions

MODEL	HEIGHT		WIDTH		DEPTH	
	in	mm	in	mm	in	mm
RSN-DMX2-O	4.50	114	4.50	114	0.74	19
RSN-DMX2-I	4.50	114	4.50	114	0.74	19
RSN-DMX2-R	4.50	114	4.50	114	0.74	19
RSN-DMX2-O-P	6.47	164	4.50	114	4.35	110
RSN-DMX2-I-P	6.47	164	4.50	114	4.35	110
RSN-DMX2-R-P	6.47	164	4.50	114	4.35	110

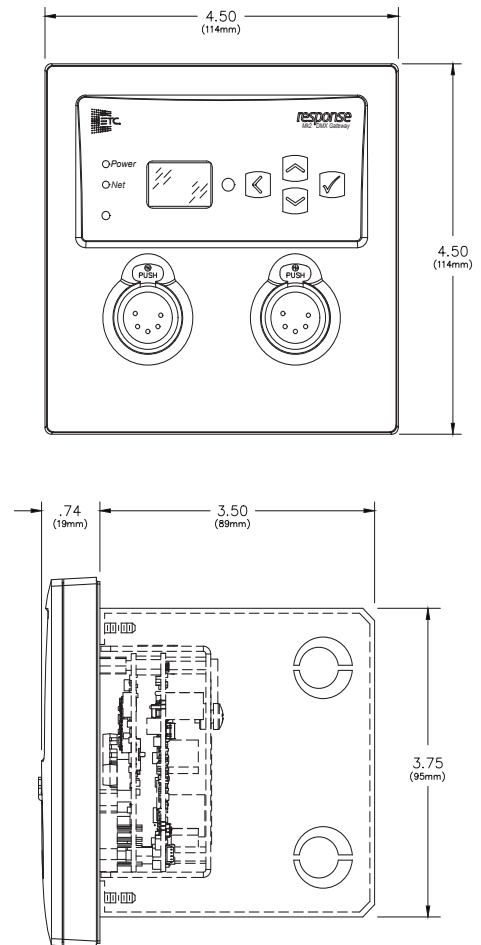
Response Two-Port Gateways Weights

MODEL	WEIGHT		SHIPPING WEIGHT	
	lb	kg	lb	kg
RSN-DMX2-O	0.81	0.37	2.25	1.02
RSN-DMX2-I	0.81	0.37	2.25	1.02
RSN-DMX2-R	0.81	0.37	2.25	1.02
RSN-DMX2-O-P	3.47	1.70	5.00	2.27
RSN-DMX2-I-P	3.47	1.70	5.00	2.27
RSN-DMX2-R-P	3.47	1.70	5.00	2.27

Response Two-Port - Portable



Response Two-Port - Wall Mount



Corporate Headquarters • Middleton, WI USA

Global Offices • London, UK • Rome, IT • Holzkirchen, DE • Paris, FR • Hong Kong • Singapore • New York, NY • Orlando, FL • Los Angeles, CA

Copyright©2019 ETC. All Rights Reserved. All product information and specifications subject to change. Rev C. 10/19

Trademark and patent info: etconnect.com/IP

etconnect.com