



ACCESSORIES

HD-WM1 & HD-WM2

HD SERIES WALL MOUNT

Installation/Operation

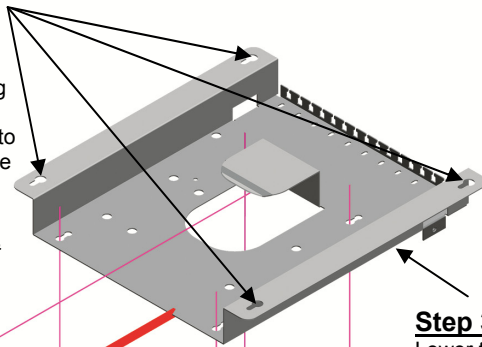


EN55103-1 E1-E5; EN55103-2 E1-E4

Typical Performance reflects product at publication time exclusive of EMC data, if any, supplied with product. Specifications are subject to change without notice.

Step 1

Use the bracket to mark the mounting screw locations. Start the installer-provided mounting screws, leaving sufficient clearance behind the screw heads to permit the bracket to slide behind the heads. *Note: The installation hardware must be rated to safely secure the combined weight of the bracket and the associated HD product.*

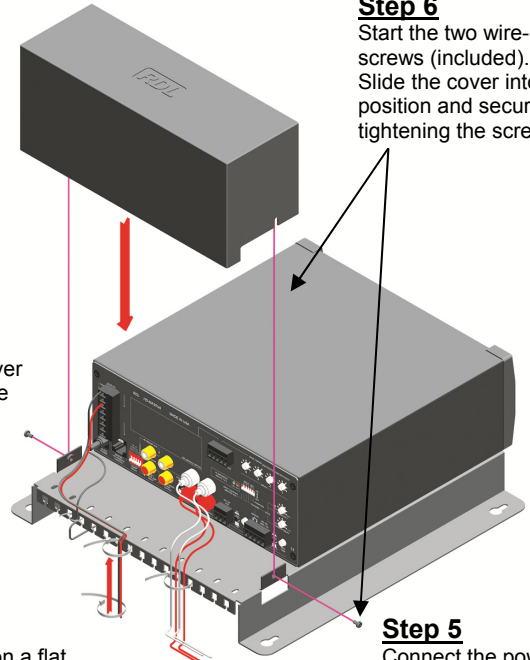


Step 3

Lower the bracket over the screws. Slide the bracket forward and tighten the screws.

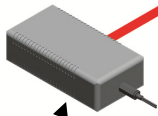
Step 6

Start the two wire-cover screws (included). Slide the cover into position and secure by tightening the screws.



Step 4

Snap the power supply into position under the retention clip.



Step 2

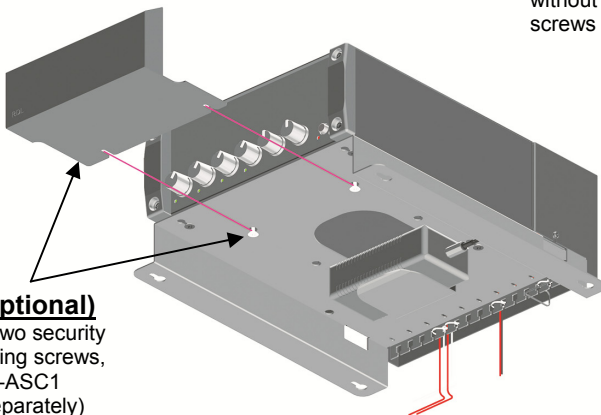
Place the HD product on a flat horizontal surface with the bottom of the product facing upward. Remove the screws that secure the four feet. Reinstall the four screws, without the feet, leaving the screws loose.

Step 5

Connect the power, input and output wiring, securing the wires to the mounting bracket tabs using installer-provided tie wraps.

Step 7 (Optional)

Loosen the two security cover mounting screws, slide the HD-ASC1 (available separately) onto the front of the unit and tighten the screws to secure the cover.



Step 8

Slide the bracket over the wall mounting screws and tighten the screws to secure the bracket. *Note: The installation hardware must be rated to safely secure the combined weight of the bracket and the associated HD product.*

