

RDL® Radio Design Labs™

SPECIALISTS IN PRACTICAL PRECISION ENGINEERING™



RACK-UP® SERIES

Model ^{MAX}RU-SPD4

Digital Audio Distributor

ANYWHERE YOU NEED...

- SPDIF Signal Distribution (1 x 4)
- Operation Up to 24 bits, 96 kHz
- Exclusive **Sure-Lok**™ Auto-Recovery Sentinel
- Transformer Isolated Input / Outputs
- Digital Signal *Reclocking*
- Digital Signal **LOCK** Indication



You Need The RU-SPD4!

The RU-SPD4 is part of the group of versatile *Max Series* RACK-UP products from Radio Design Labs. *Max Series* RACK-UPS feature all metal chassis and the advanced circuitry for which RDL products are known, combined with accessible, user-friendly controls and displays. The compact design permits high-density installations, with *three* products mounted in a single rack unit! Optional brackets permit mounting a *Max Series* RACK-UP module above, below, or in front of any flat surface. Optional rack-mount adapters (RU-RA3) are available for *Max Series* RACK-UP series installation. *Max Series* RACK-UP modules may be used freestanding as well.

APPLICATION: The RU-SPD4 is the ideal choice in installations requiring high quality distribution of a digital SPDIF signal. A single SPDIF input is decoded, reclocked and retransmitted to four individually buffered, transformer-isolated, electrical SPDIF outputs and four corresponding optical outputs.

The RU-SPD4 features two electrical inputs (phono and BNC) and one optical input. The electrical inputs are 75 Ω terminated. Any one of the three input jacks may be used. Four distributed SPDIF outputs are available. Each output is available on a phono jack, BNC jack or optical connector. Separate buffer amplifiers and output transformers for each output provide isolation between electrical outputs. The RU-SPD4 is powered from 24 Vdc which may be connected through the barrier block or through the dc power jack. A front-panel power switch is provided. All inputs and outputs are available on the rear panel.

The RU-SPD4 front panel provides a **POWER** LED and a green **LOCK** LED. The **LOCK** indicator is illuminated whenever the module is locked to a valid AES/EBU digital source without any phase-lock or bit errors.

A frequent problem encountered with consumer and professional quality digital audio equipment is unpredictable latch-up when digital signals are switched or connected to the input. **Sure-Lok**™ auto-recovery circuitry unique to the RU-SPD4 monitors the most frequent causes of latch-up and reinitiates digital signal lock, bringing a new higher level of stability to digital audio signal distribution under the variety of conditions encountered in professional environments.

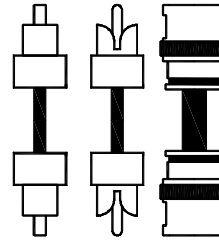
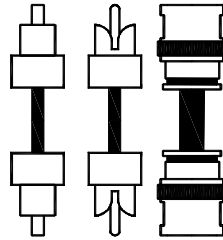
Wherever broadcast quality digital signal distribution is required, the RU-SPD4 is the ideal choice. Use the RU-SPD4 individually, or combine it with other RDL products as part of a complete audio/video system.

RU-SPD4

Typical Connections

Consumer SPDIF Source

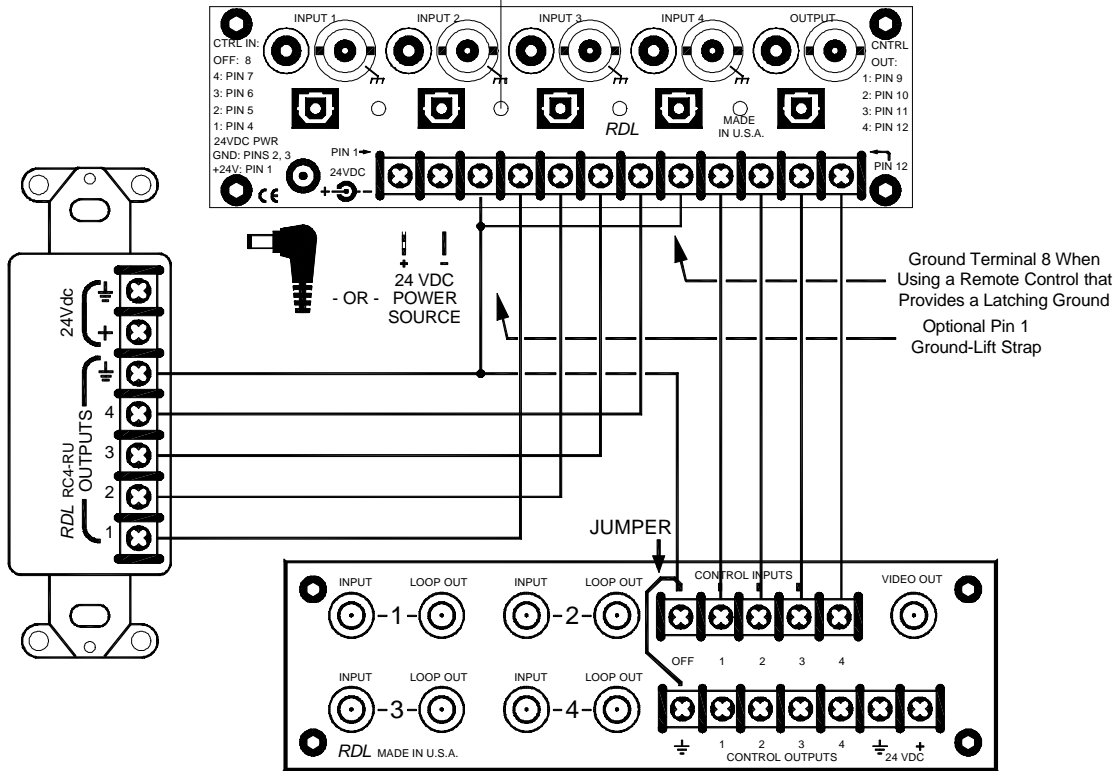
Use only one of the available input formats on a channel at a time



Install Screw (provided) to Ground Input Shields (recommended for RF suppression)

SPDIF Output to Other SPDIF Equipment

Use only one of the available outputs at a time



TYPICAL PERFORMANCE

Input:	75 Ω SPDIF phono, BNC (transformer isolated), or optical
Outputs (4):	75 Ω SPDIF phono, BNC (transformer isolated), or optical
Sample Rate:	32 kHz – 96 kHz
Resolution:	16 to 24 bits
Indicators (2):	POWER LED and LOCK LED (LOCK indicates locked to a valid signal)
Standards:	IEC958, S/PDIF and EIAJCP340/1201
Power Requirement:	24 to 33 Vdc @ 160 mA, Ground-referenced
Mounting:	Rack-mount using optional rack adapters such as RU-RA3; or operate freestanding
Dimensions:	Height: 1.7 in 4.3 cm Length: 5.8 in 15.0 cm Depth: 3.5 in 8.9 cm

EMC:

